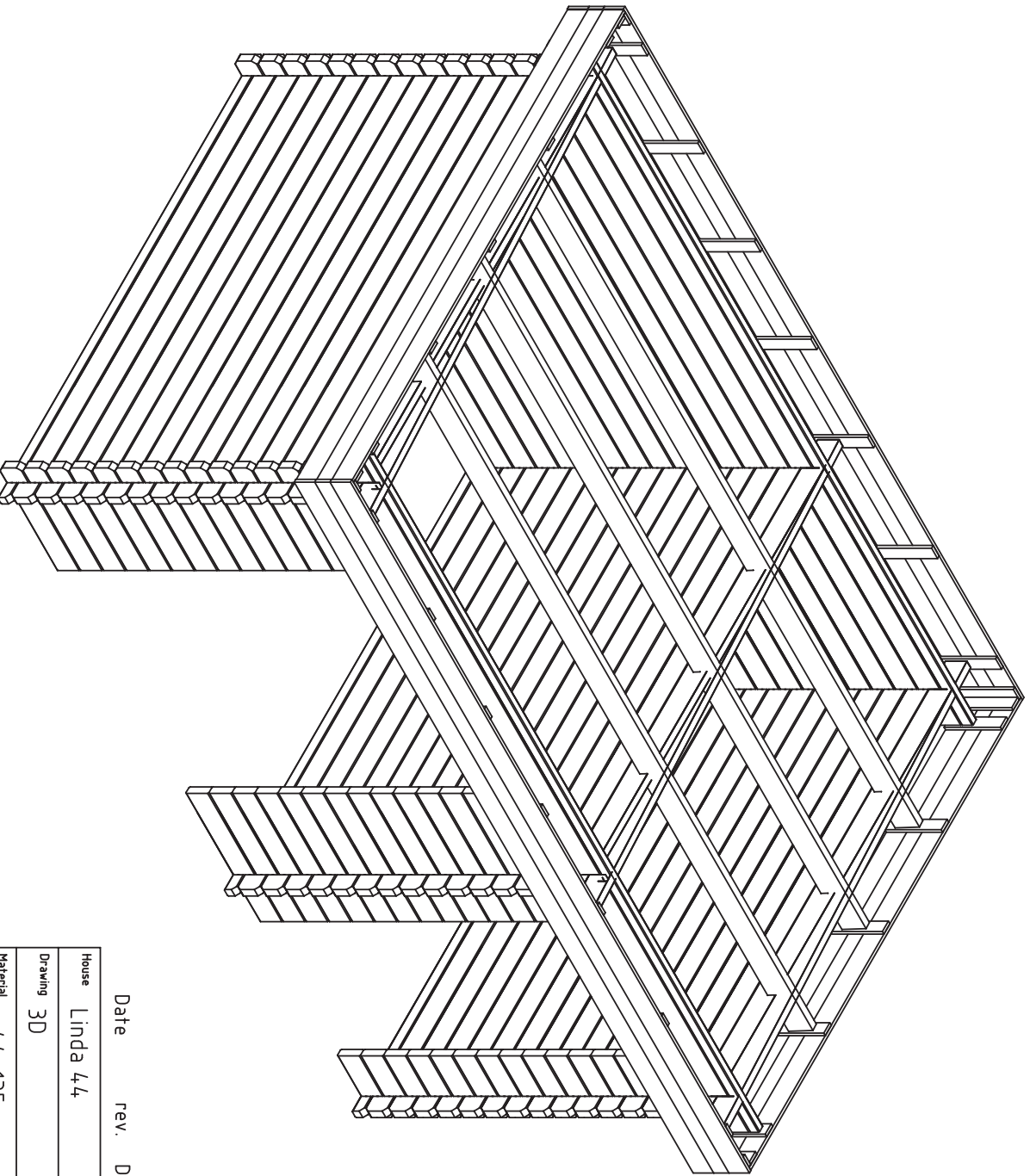


Date rev. Description

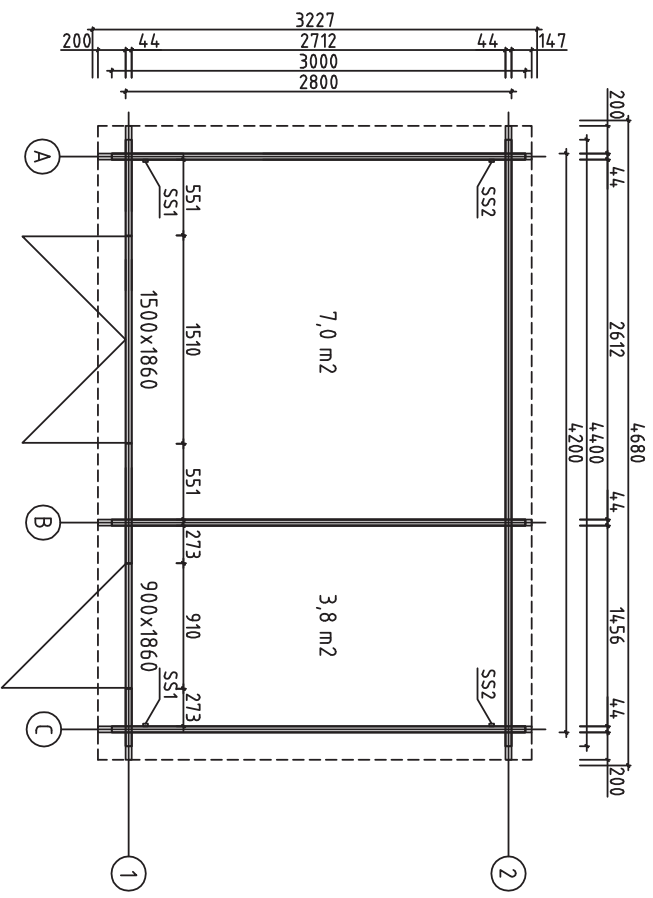
V 1.0

House	Linda 4.4	Sheet	1
Drawing	3D	Scale	
Material	4.4x135	Date	21.11.2019
Drawer	K.K.	File	Linda 4.4_3D.dwg

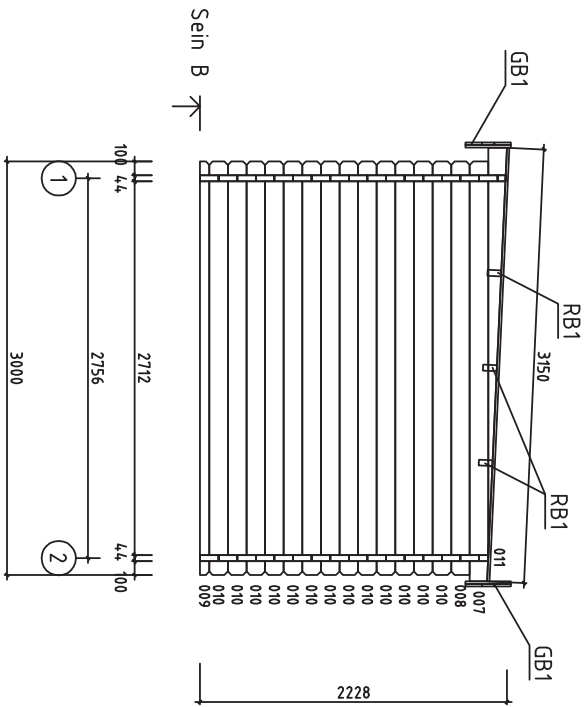


Date rev. Description V 1.0

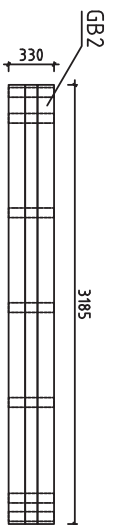
House	Linda 44	Sheet	2
Drawing	3D	Scale	
Material	4,4x135	Date	21.11.2019
Drawer	K.K.	File	Linda 44 3D.dwg



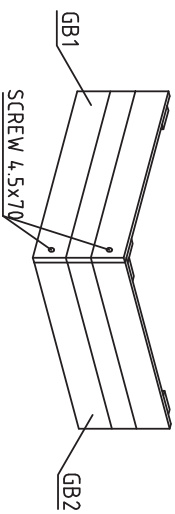
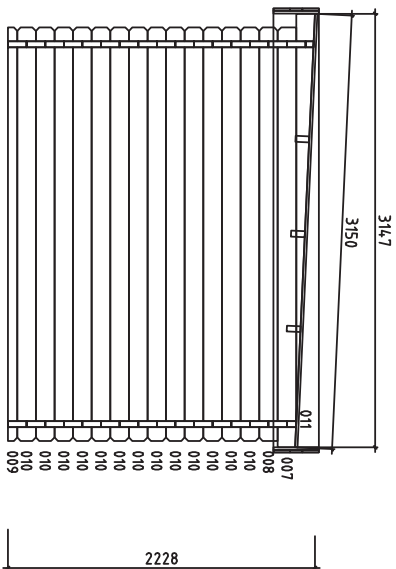
House	Linda 44	Sheet	3
Drawing	GRUNDPLAN-GRUNDPLAN-PLAN	Scale	1:50
Material	44x135	Date	19.11.2019
Drawer	K.K.	File	Linda 44.dwg



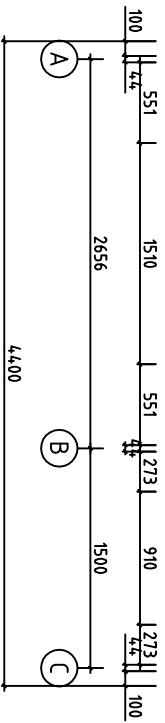
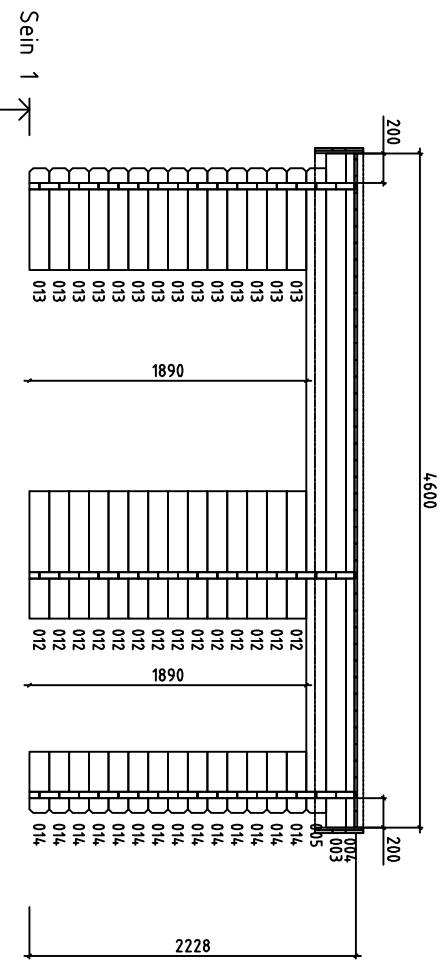
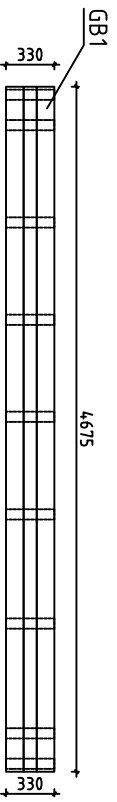
House	Linda 4,4	Sheet	5
Drawing	SEIN B	Scale	1:50
Material	4,4x135	Date	19.11.2019
Drawer	K.K.	File	Linda 4,4.dwg



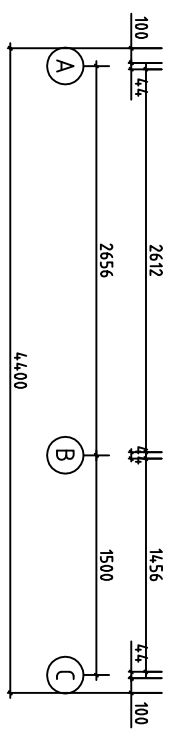
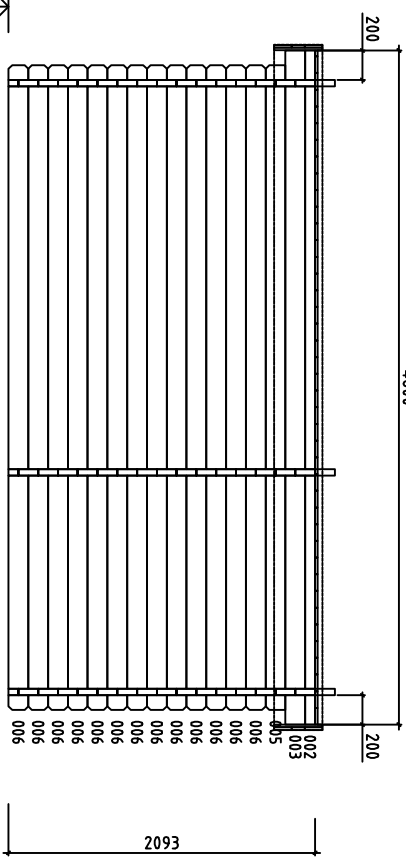
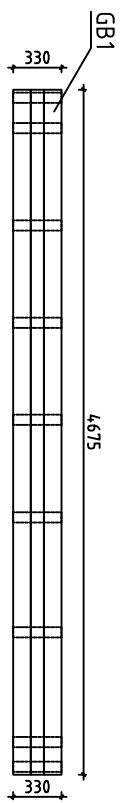
Sein C ↗



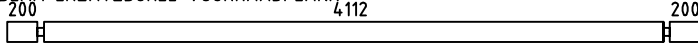

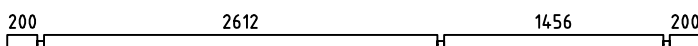
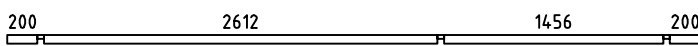
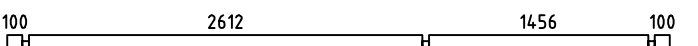
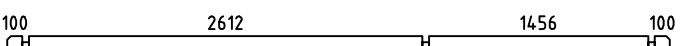
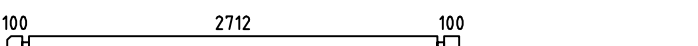
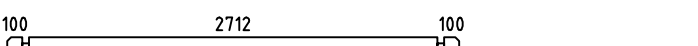

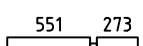
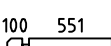
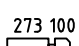
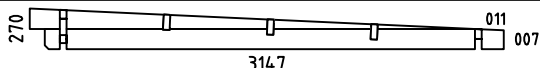
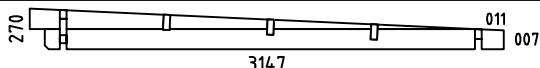
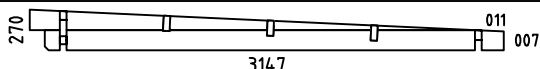

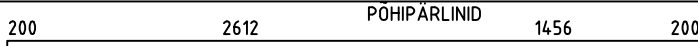

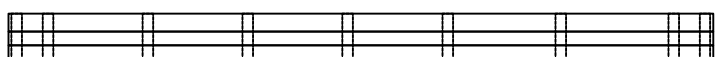
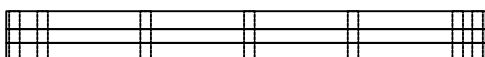



House	Linda 4,4	Sheet	6
Drawing	SEIN C	Scale	1:50
Material	4,4x135	Date	19.11.2019
Drawer	K.K.	File	Linda 4,4.dwg


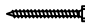


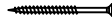

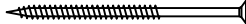
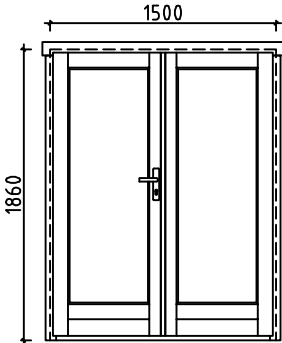
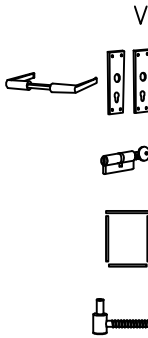
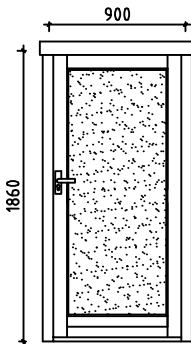
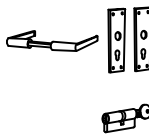


House	Linda 44	Sheet	7
Drawing	SEIN 1	Scale	1:50
Material	44x135	Date	19.11.2019
Drawer	K.K.	File	Linda 44.dwg



House	Linda 44	Sheet	8
Drawing	SEIN 2	Scale	1:50
Material	44x135	Date	19.11.2019
Drawer	K.K.	File	Linda 44.dwg

Pos	Specification-Bestimmung-Omschrijving	Pcs	Profile (mm)	L (mm)
001	SPARE BEAM-ERZATZBOHLE-VOORRAADPLANK 	1	44x135	4600
002		1	44x68	4600
003		2	44x135	4600
004		1	44x58	4600
005		2	44x135	4400
006		13	44x135	4400
008		3	44x135	3000
009		3	44x68	3000
010		39	44x135	3000
012		14	44x135	868
013		14	44x135	695
014		14	44x135	417
WA-1		1	44x270	3147
WB-1		1	44x270	3147
WC-1		1	44x270	3147
HB	HIT BLOCK-SCHLAGHÖLZER-BLAZENPLANK 	2	44x135	300
RB1	PÖHIPÄRLINID 	3	43x140	4600
R1	ROOFBOARD-DACHBRETT-DAKPLANK  or-oder-of	41+1 54+1	18x114 18x88	3150
GB1		2	36x330	4675
GB2		2	36x330	3185
ES1 ES2	EAVE SLAT-TRAUFENLEISTE-AFDEKLIJST 	2 2	30x40	2610 1450
ES3	EAVE SLAT-TRAUFENLEISTE-AFDEKLIJST 	4	30x40	200
SS1	STORM SLAT-STURMLEISTE-STORMLIJST 	2	18x35	2170
House Linda 44		Material	File Linda 44.dwg	Sheet 9

Pos	Specification-Bestimmung-Omschrijving	Pcs	Profile (mm)	L (mm)
SS2	STORM SLAT-STURMLEISTE-STORMLIJST 	2	18x35	2080
	SCREWS-SCHRAUBEN-SCHROEF FOR-FÜR-VOOR SS1, SS2 	12	∅6.0	50
	WASHER-SCHEIBE-SCHIJF FOR-FÜR-VOOR SS1, SS2 	12	∅6.0	18
	NAIL-NAGEL-NAGEL FOR-FÜR-VOOR R1 	280	∅2.5	60
	SCREWS-SCHRAUBEN-SCHROEF FOR-FÜR-VOOR GB1, GB2, GB3 	34	∅4.5	70
	SCREWS-SCHRAUBEN-SCHROEF FOR-FÜR-VOOR GB1, GB2, GB3 	14	∅4.5	90
	SCREWS-SCHRAUBEN-SCHROEF FOR-FÜR-VOOR 09, RB1 	22	∅6.0	160
	<p>DOUBLEDOOR-DOPPELTÜR-DUBBELE DEUR (right-rechts-rechts)</p>  <p>AST_ISO_PL</p>  <p>V</p> <p>1 1500 1860</p> <p>1</p> <p>1</p> <p>1</p> <p>6</p>			
	<p>DOOR-TÜR-DEUR (left-links-links) AST_PL</p>  <p>AST_ISO_PL</p>  <p>P</p> <p>1 900 1860</p> <p>1</p> <p>1</p>			