

Sauna "Hobbit Tiny" 4 x 1,95

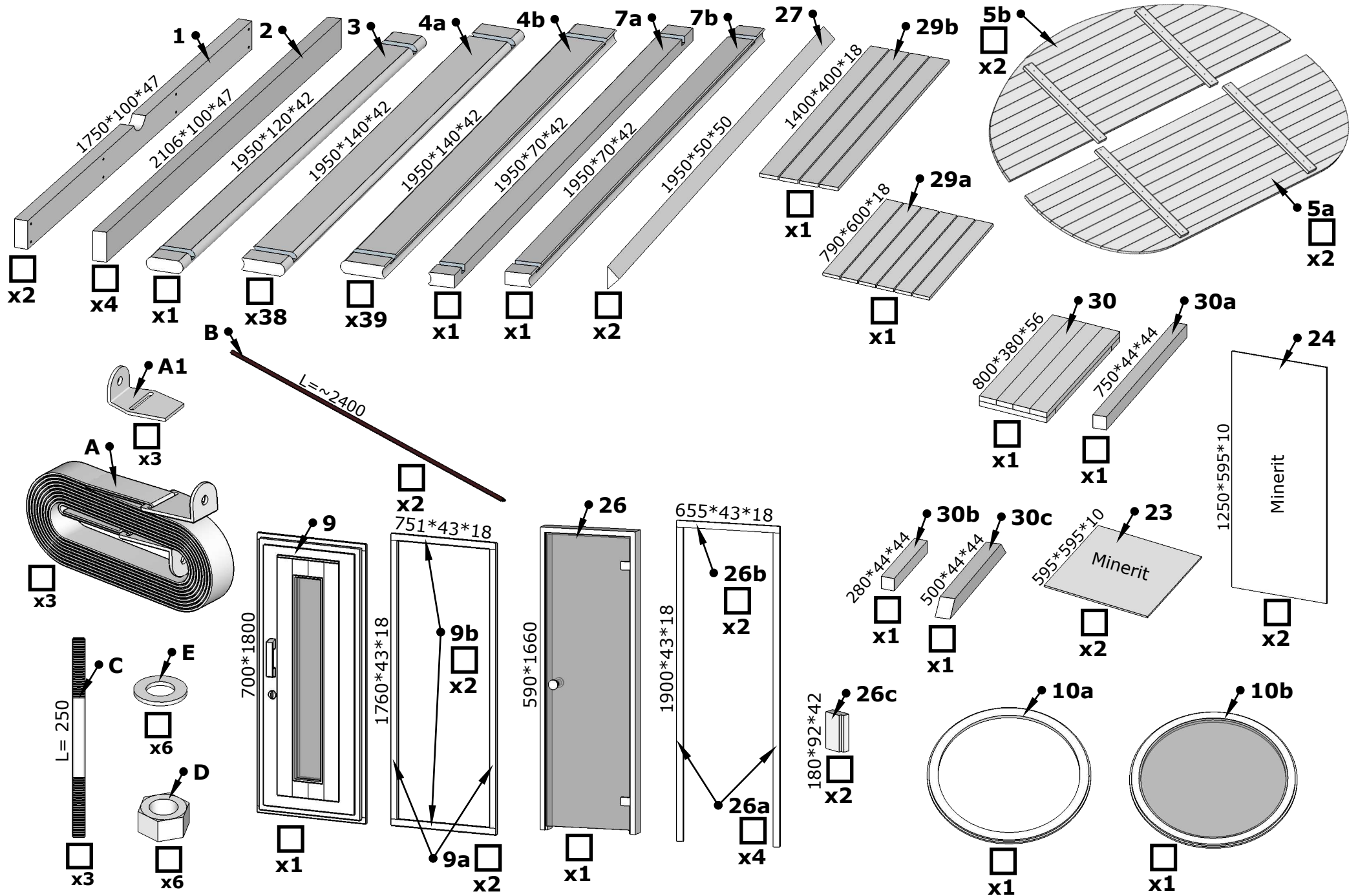
**NB! Please read whole manual
before start.**

**All given measurements
are in millimeters!**



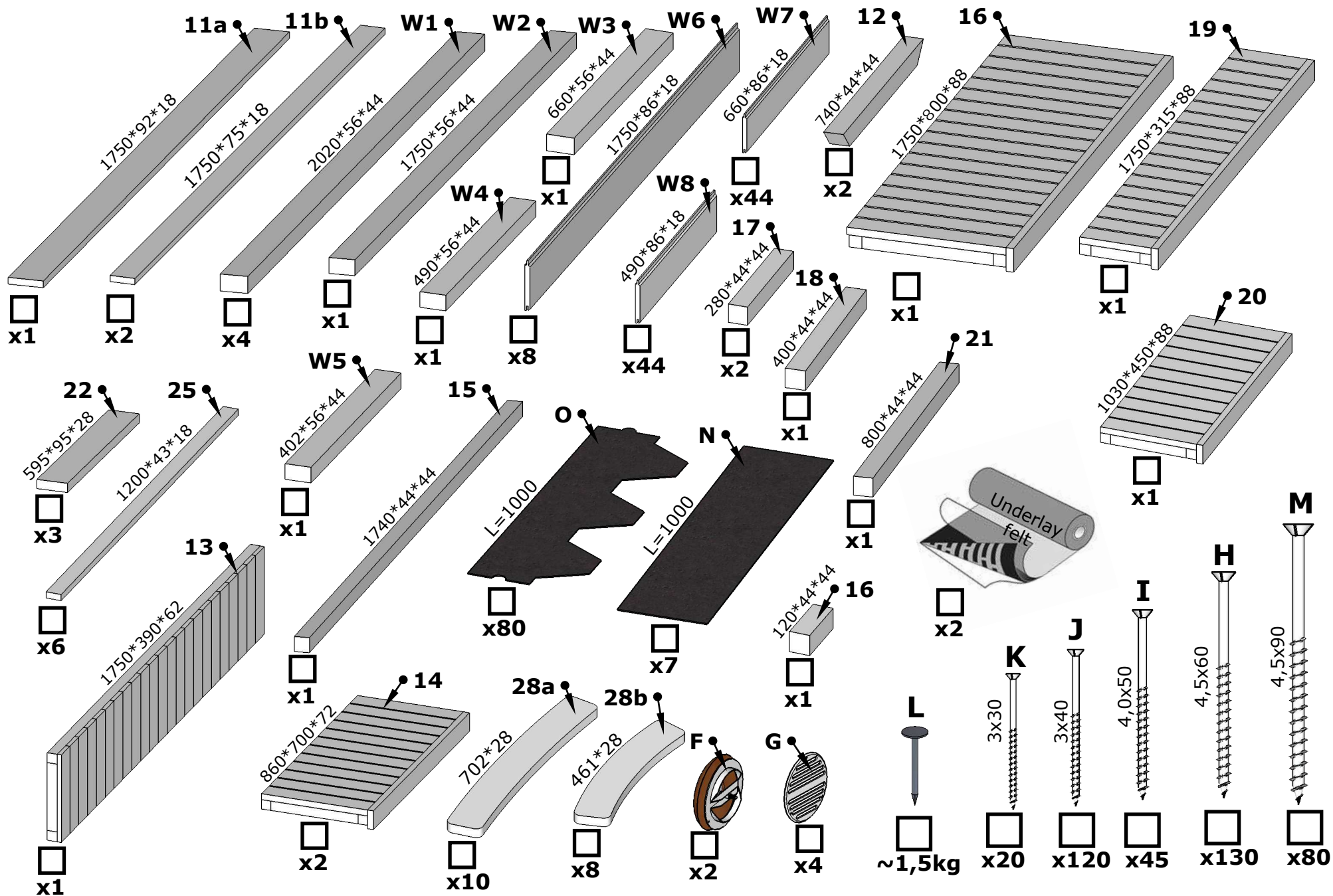
Sauna "Hobbit Tiny" 4 x 1,95

Details list 1.

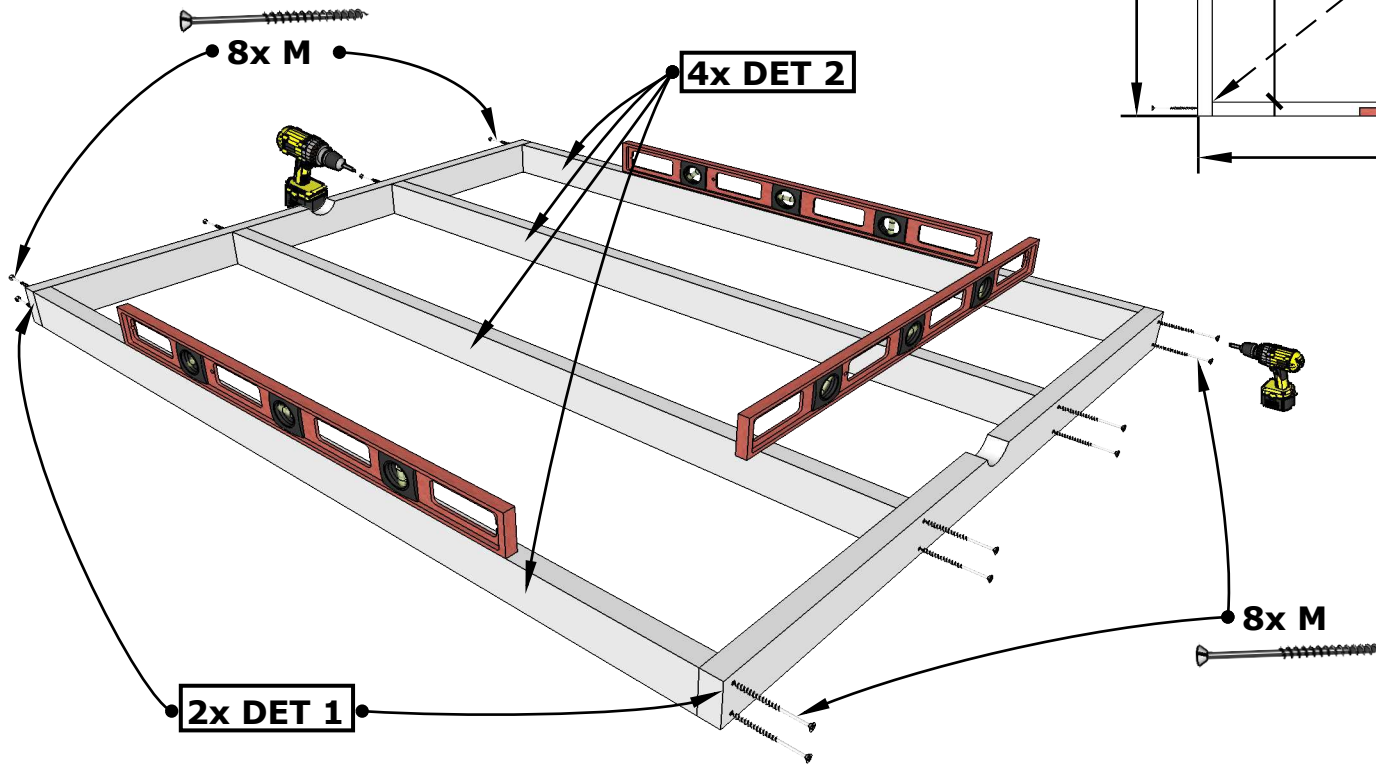
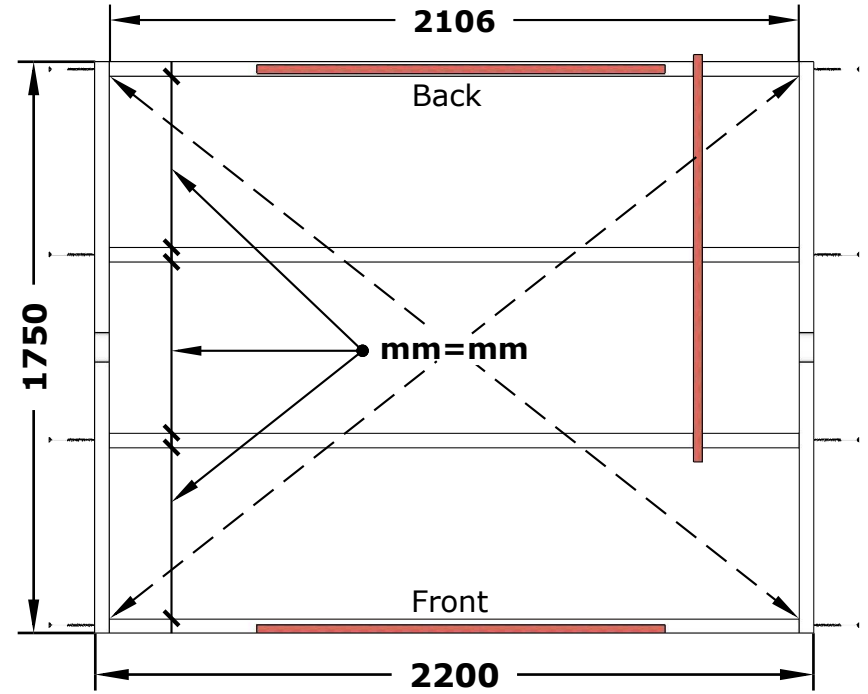
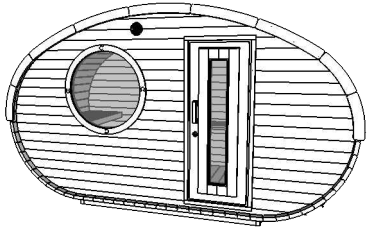


Sauna "Hobbit Tiny" 4 x 1,95

Details list 2.

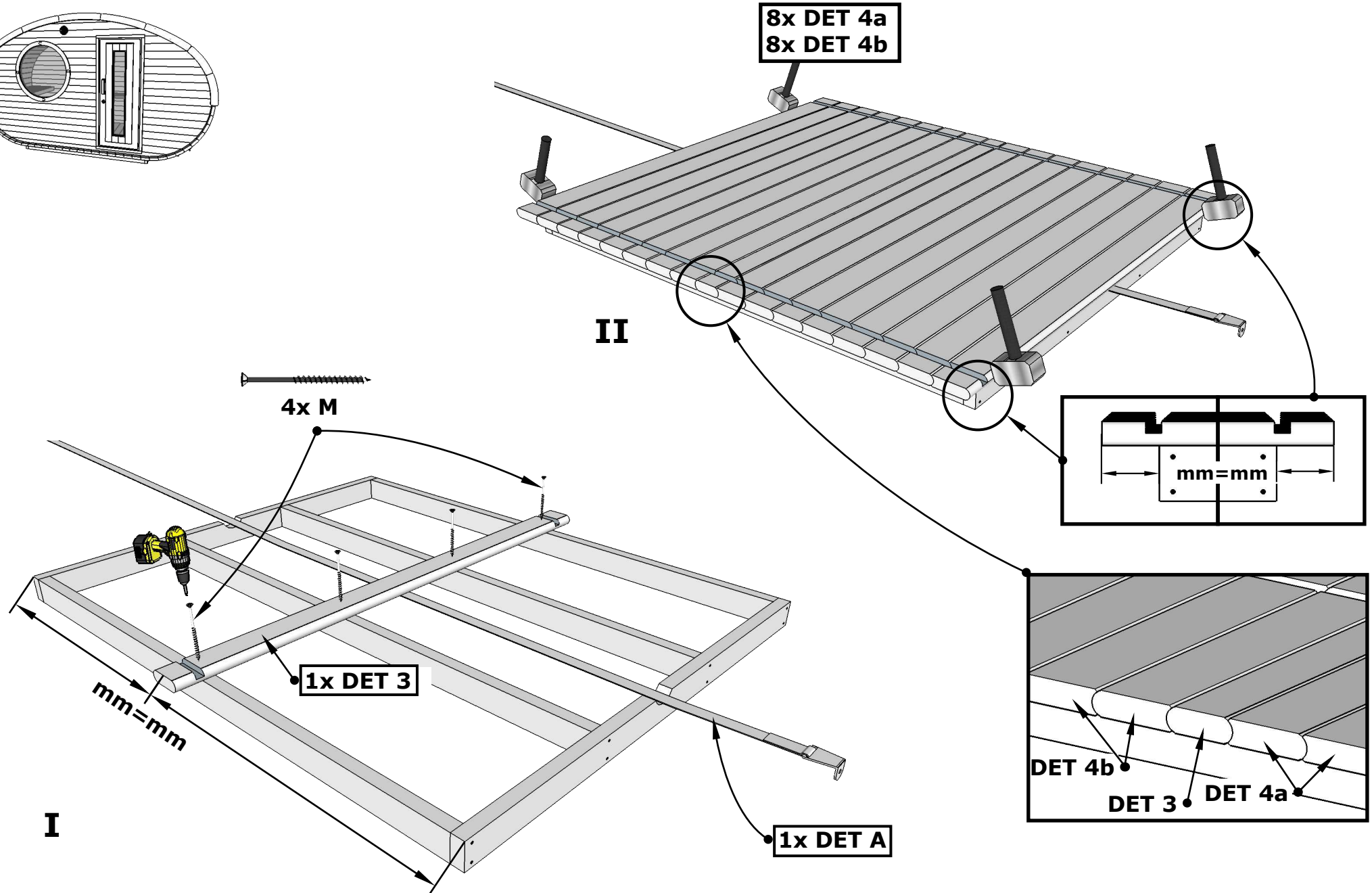
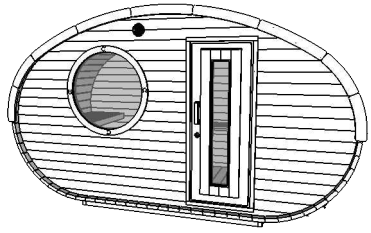


Sauna "Hobbit Tiny" 4 x 1,95

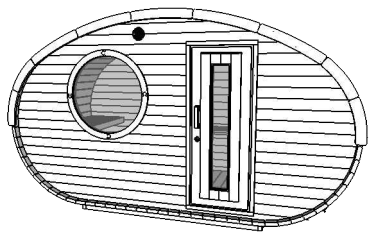


1.

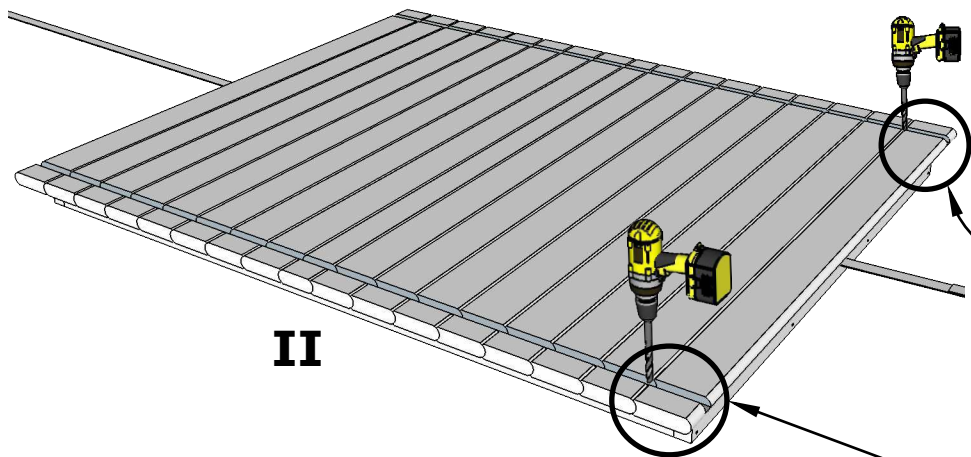
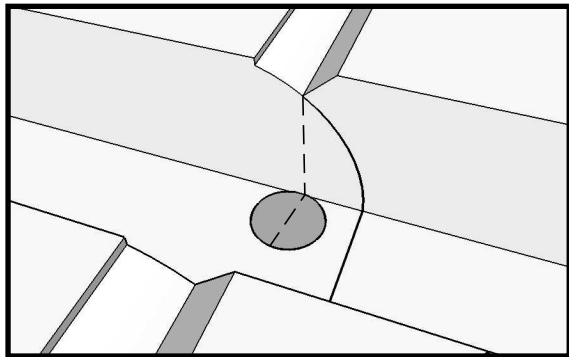
Sauna "Hobbit Tiny" 4 x 1,95



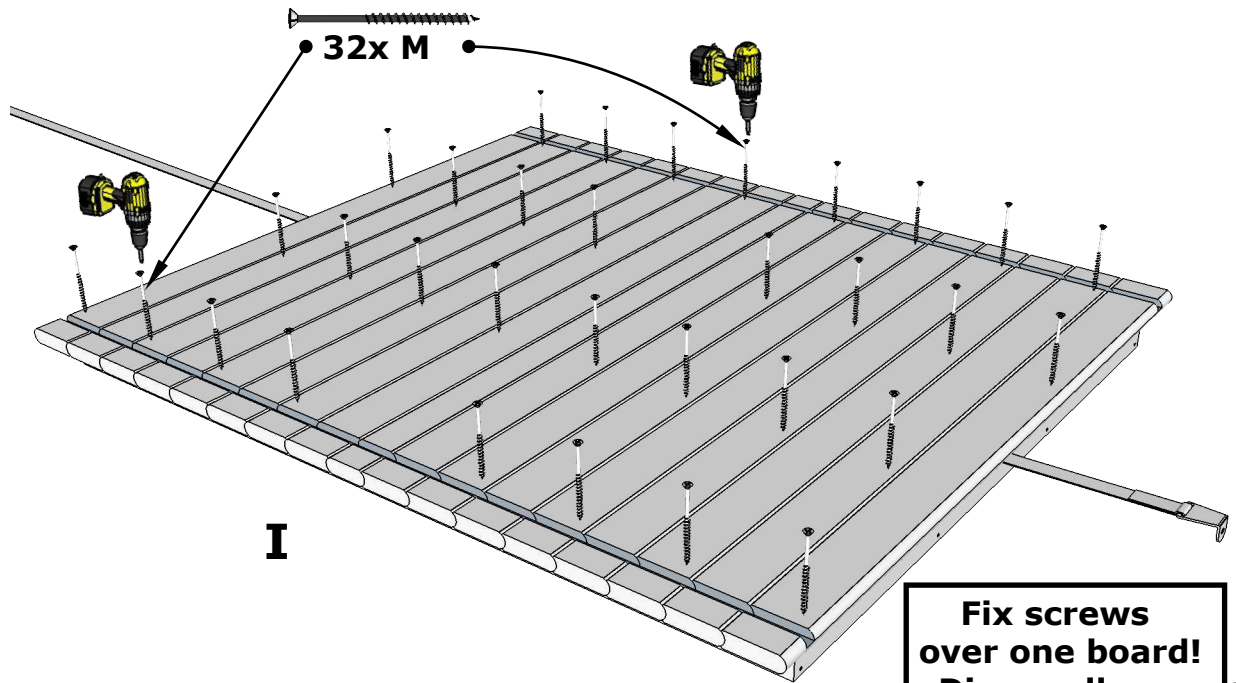
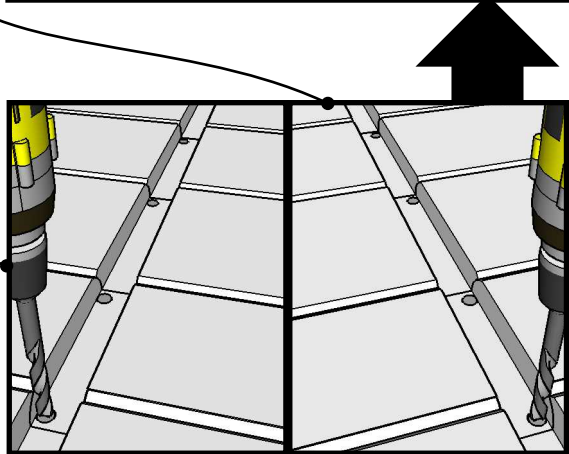
Sauna "Hobbit Tiny" 4 x 1,95



Drill Holes Ø10 in every board, outside.



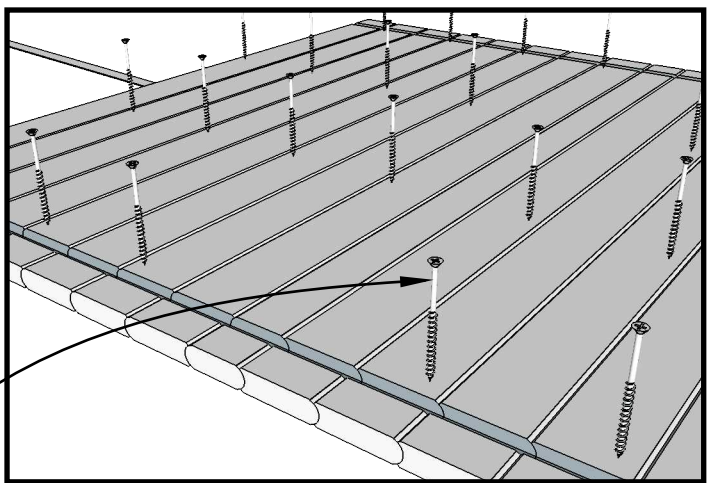
II



32x M

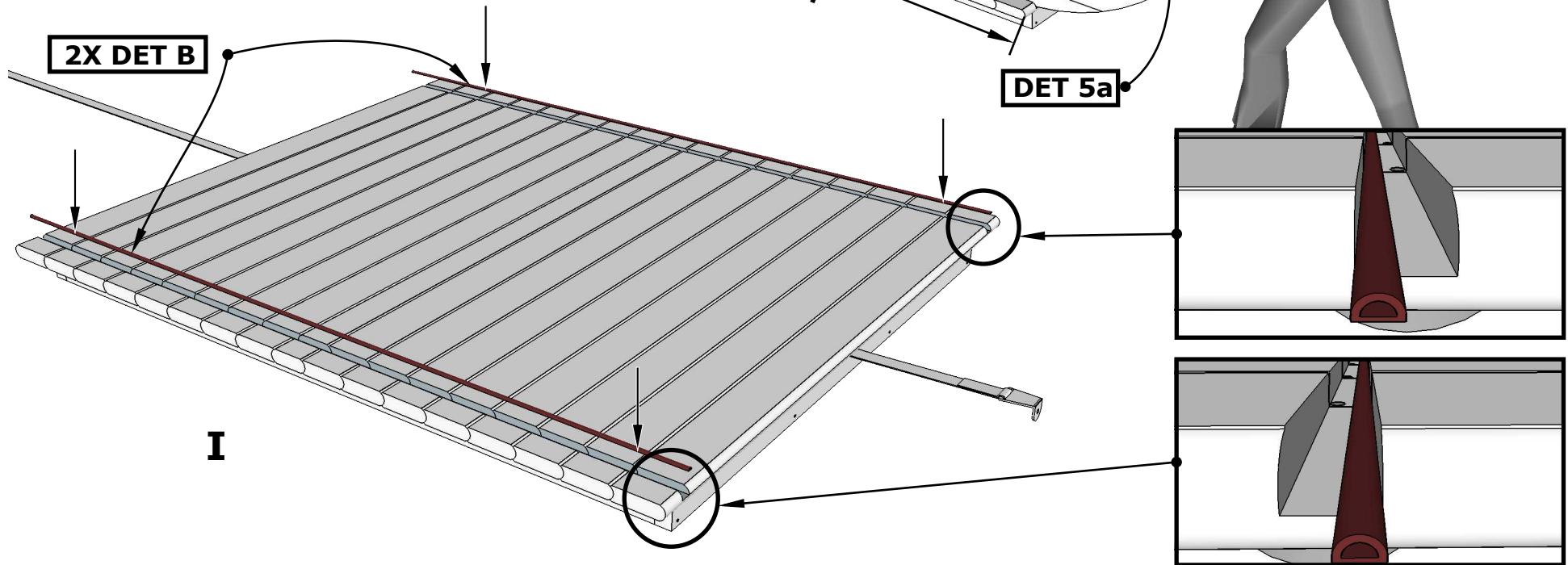
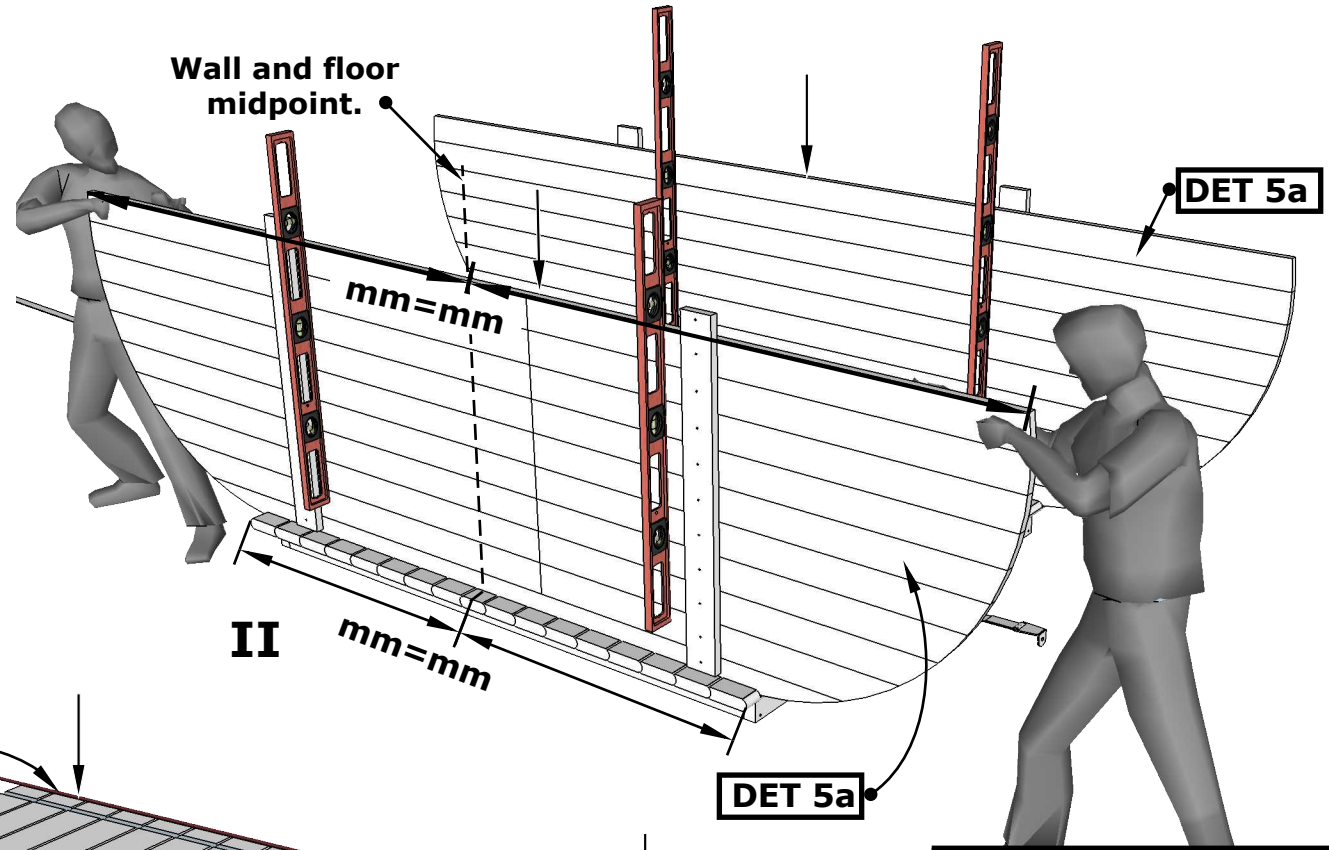
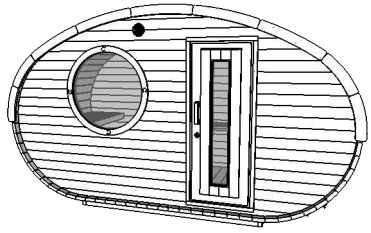
I

Fix screws over one board! Diagonally on every board!



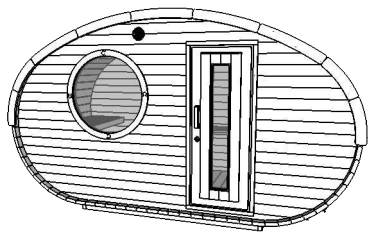
3.

Sauna "Hobbit Tiny" 4 x 1,95

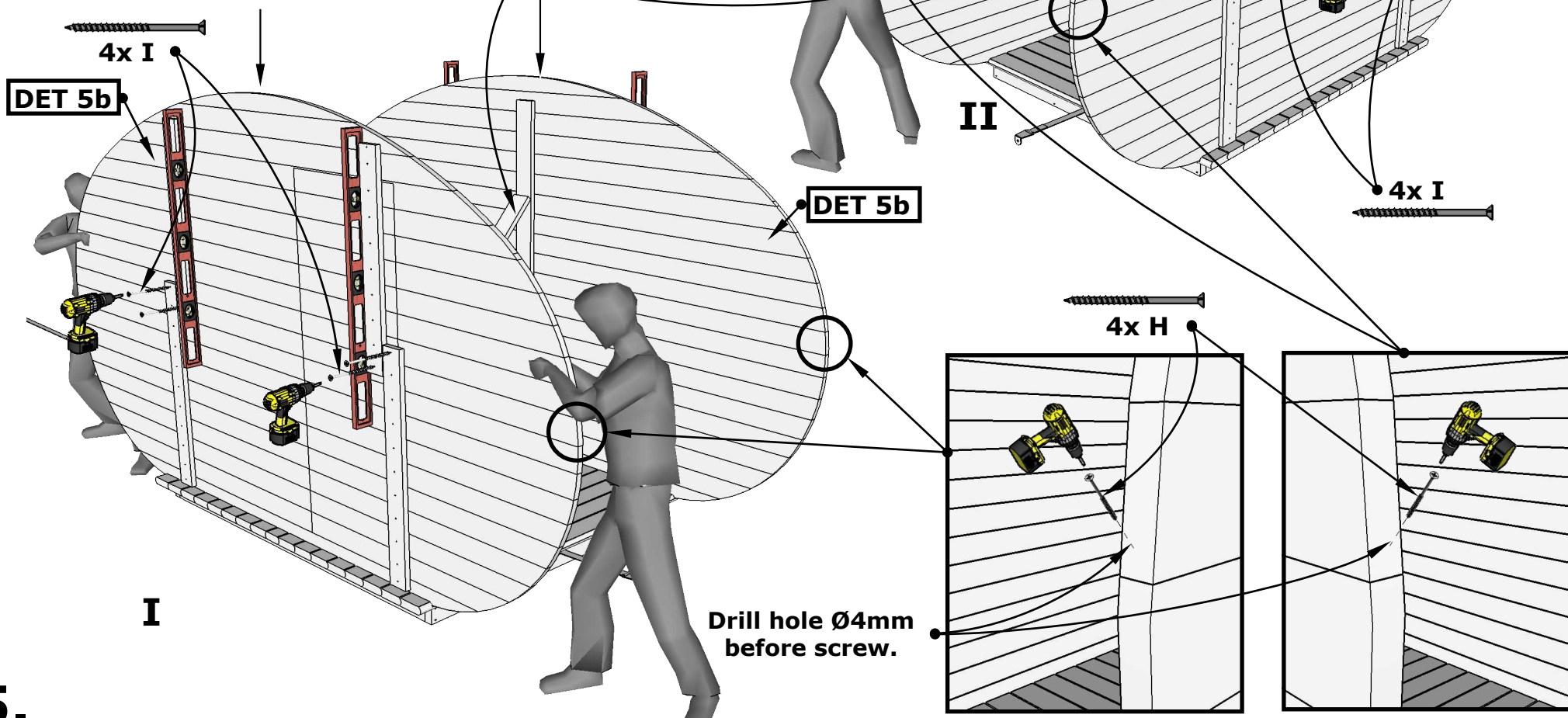


4.

Sauna "Hobbit Tiny" 4 x 1,95

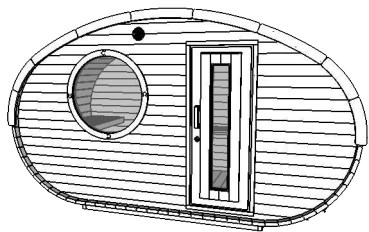


NB! Cut some boards from pallet, to support and fix walls if necessary!

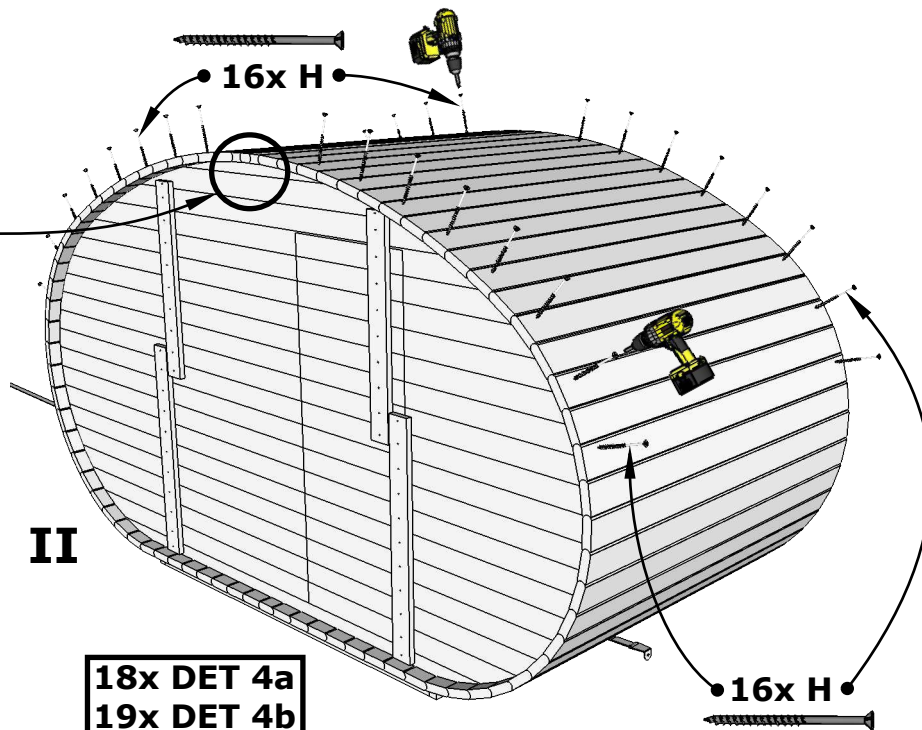
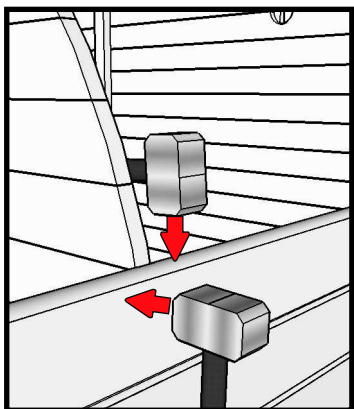
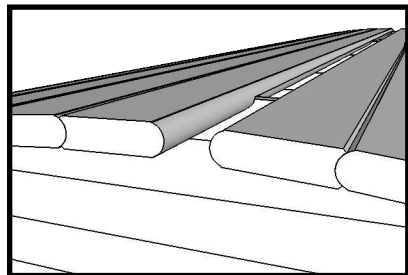


5.

Sauna "Hobbit Tiny" 4 x 1,95

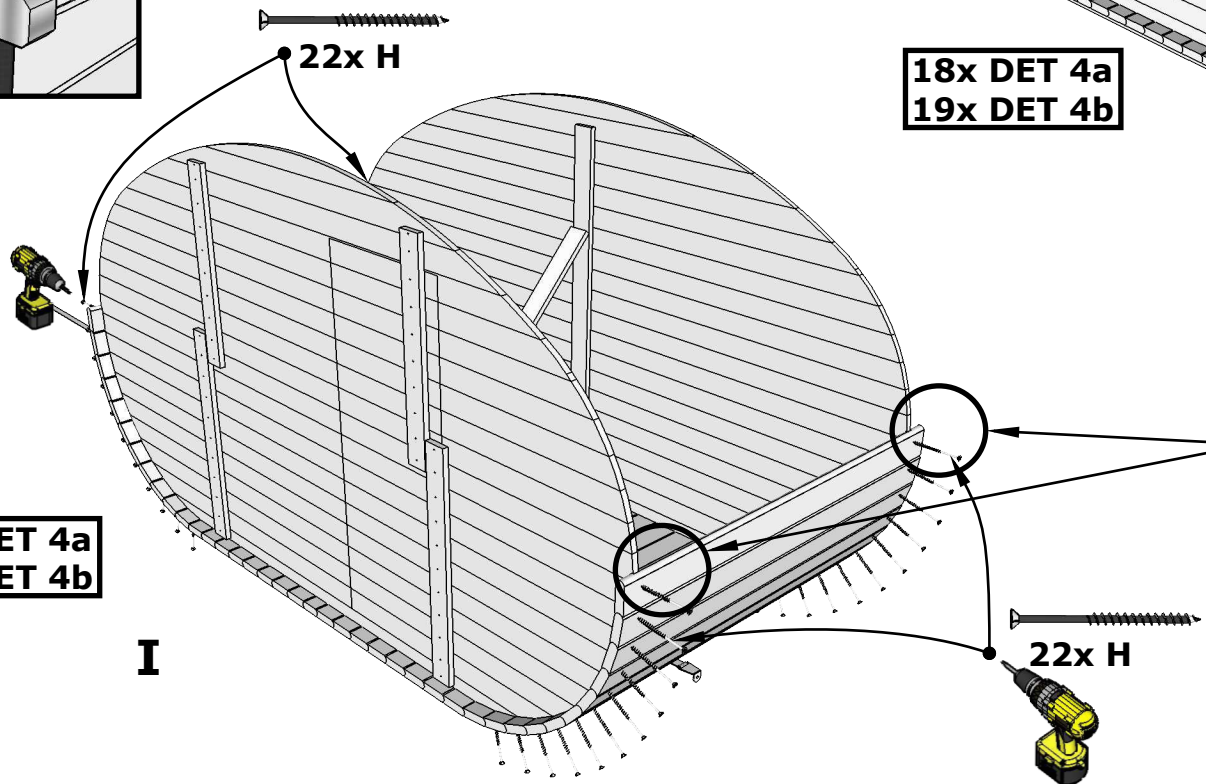


Watch Page 6A



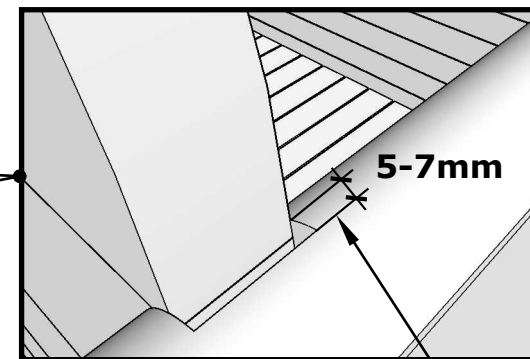
II

18x DET 4a
19x DET 4b



I

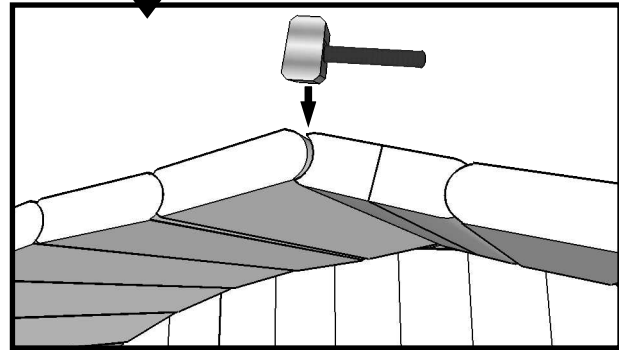
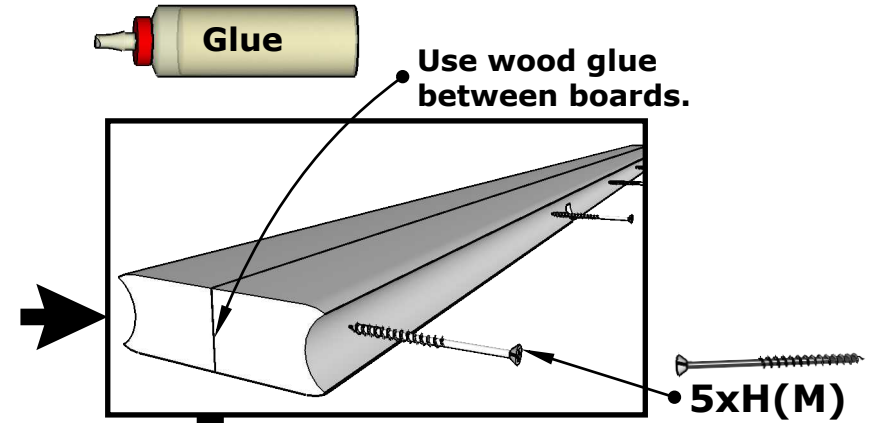
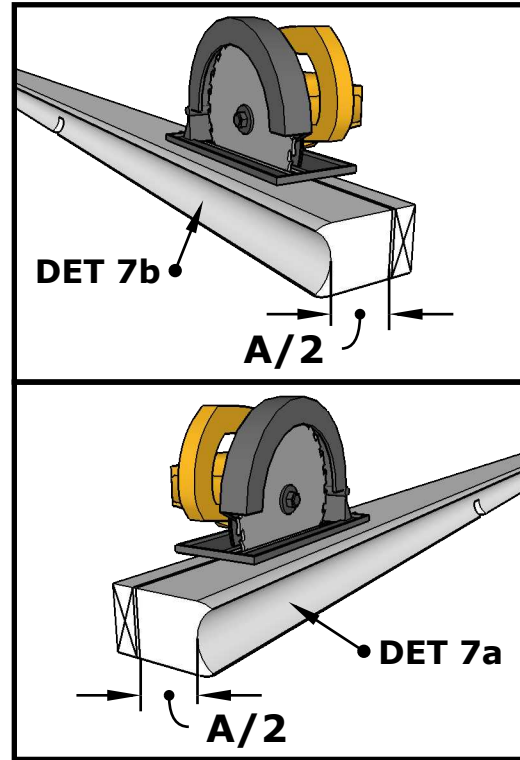
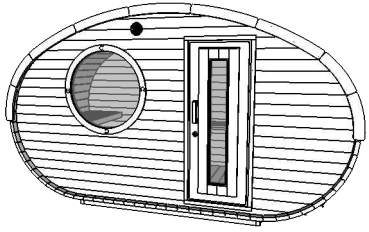
11x DET 4a
11x DET 4b



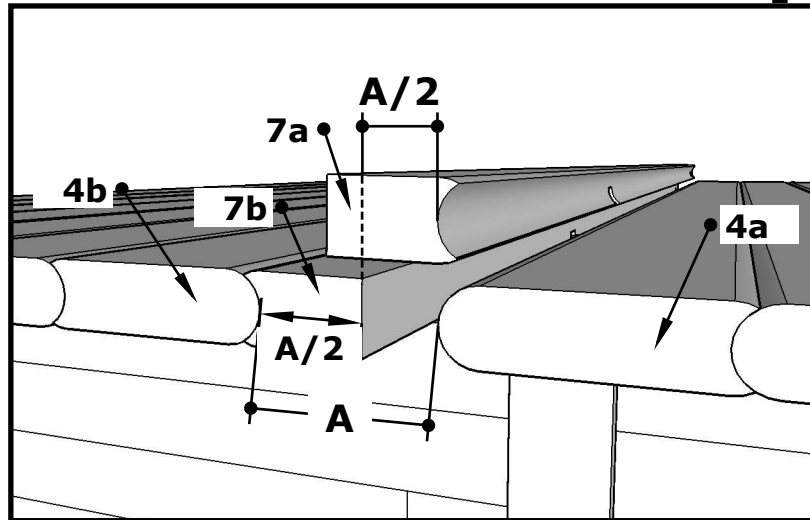
NB! Don't leave space,
if using thermal wood!!!

6.

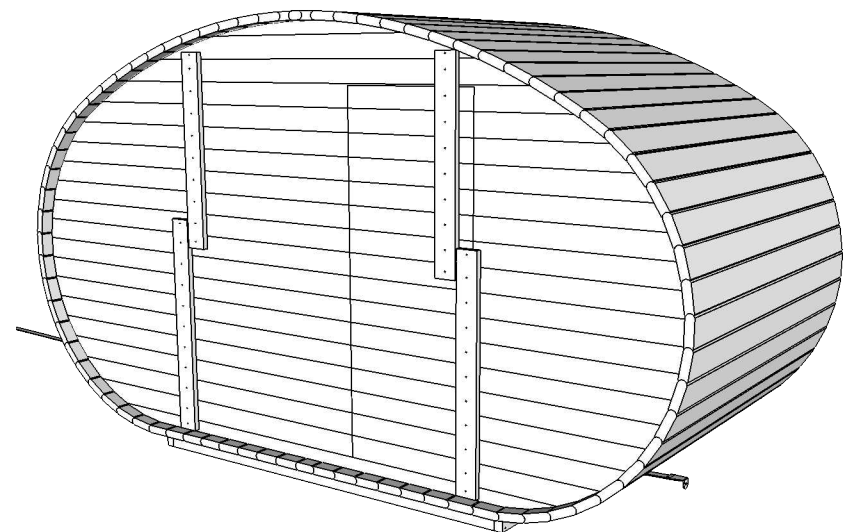
Sauna "Hobbit Tiny" 4 x 1,95



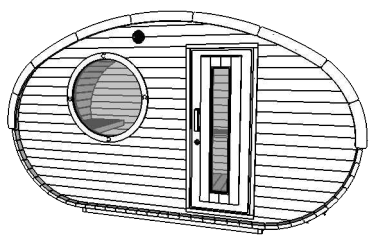
Important!!!



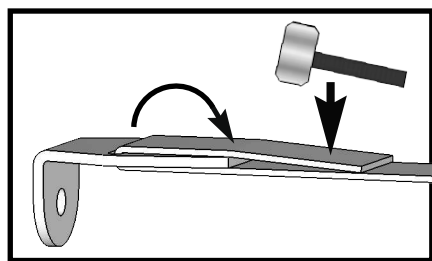
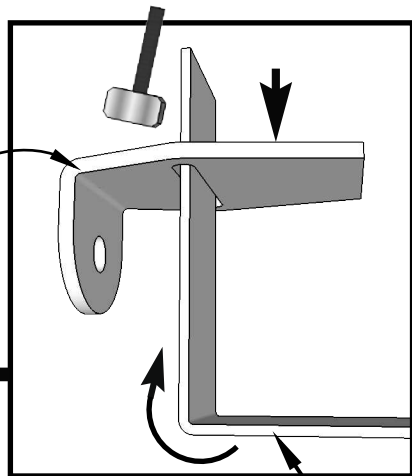
6A.



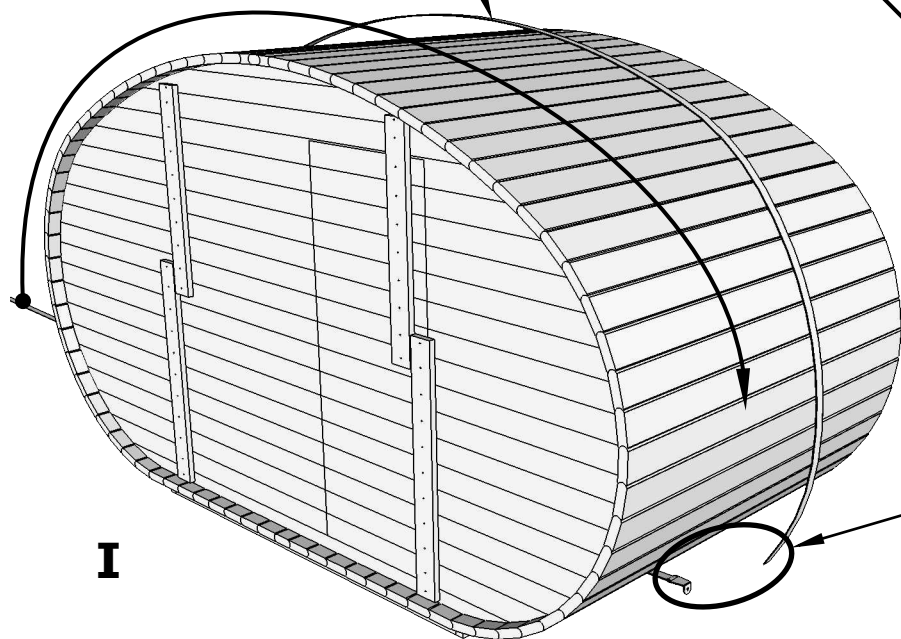
Sauna "Hobbit Tiny" 4 x 1,95



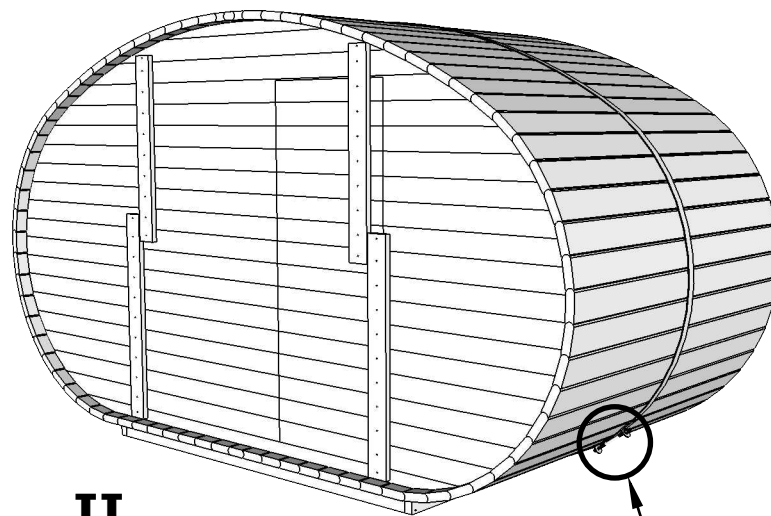
DET A1



1x DET A

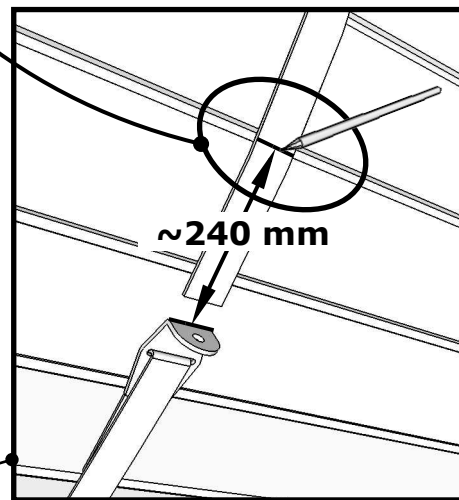


I

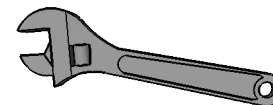
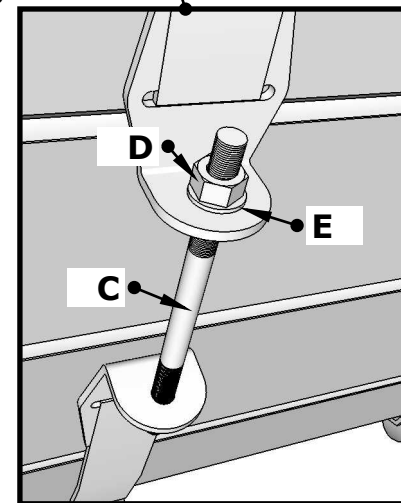


II

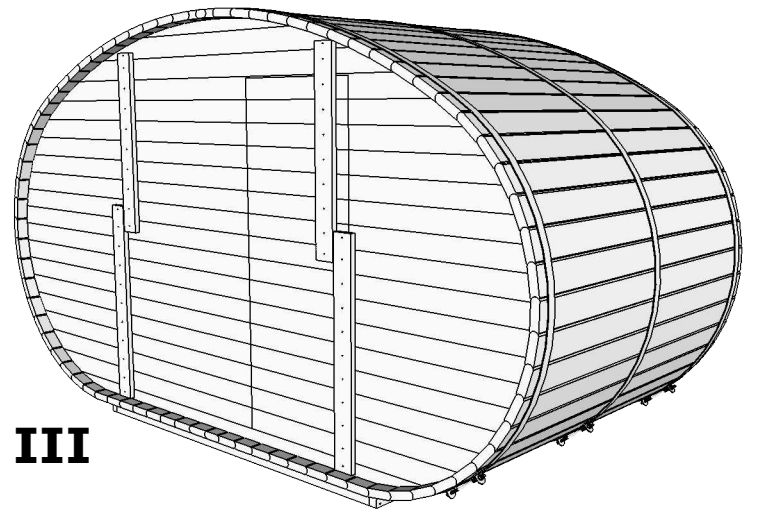
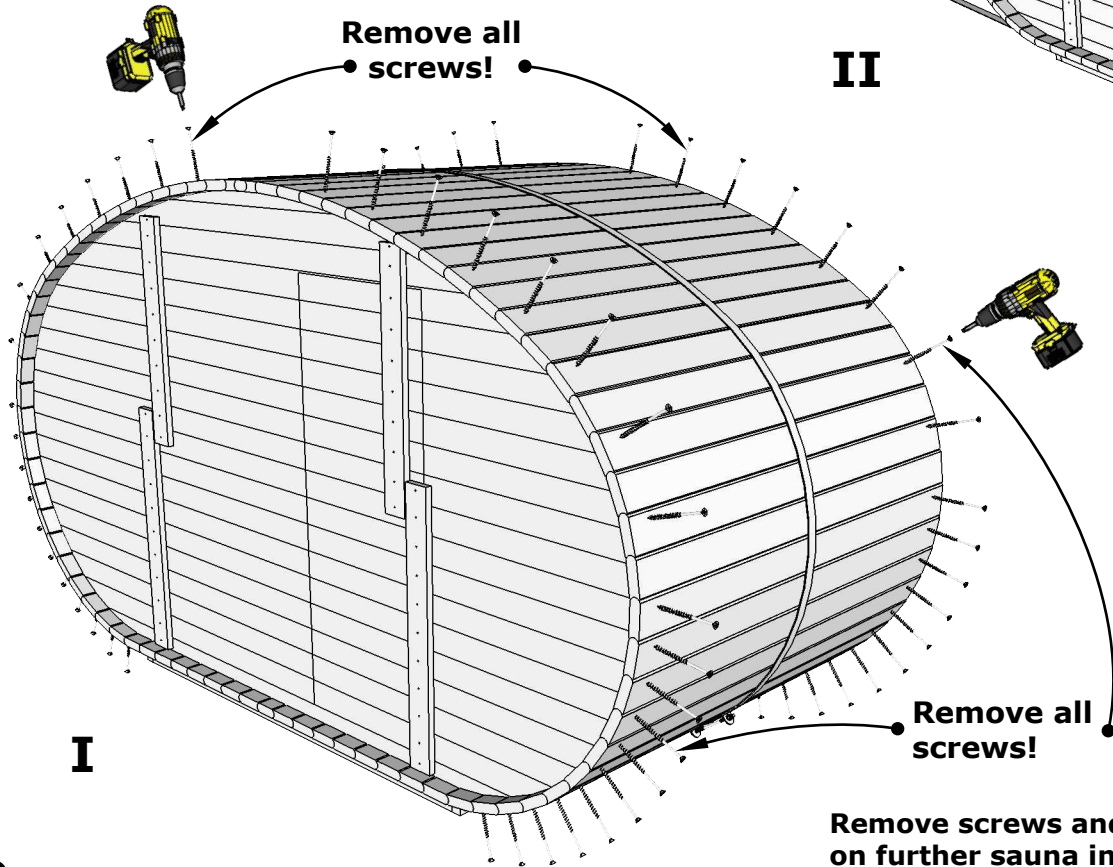
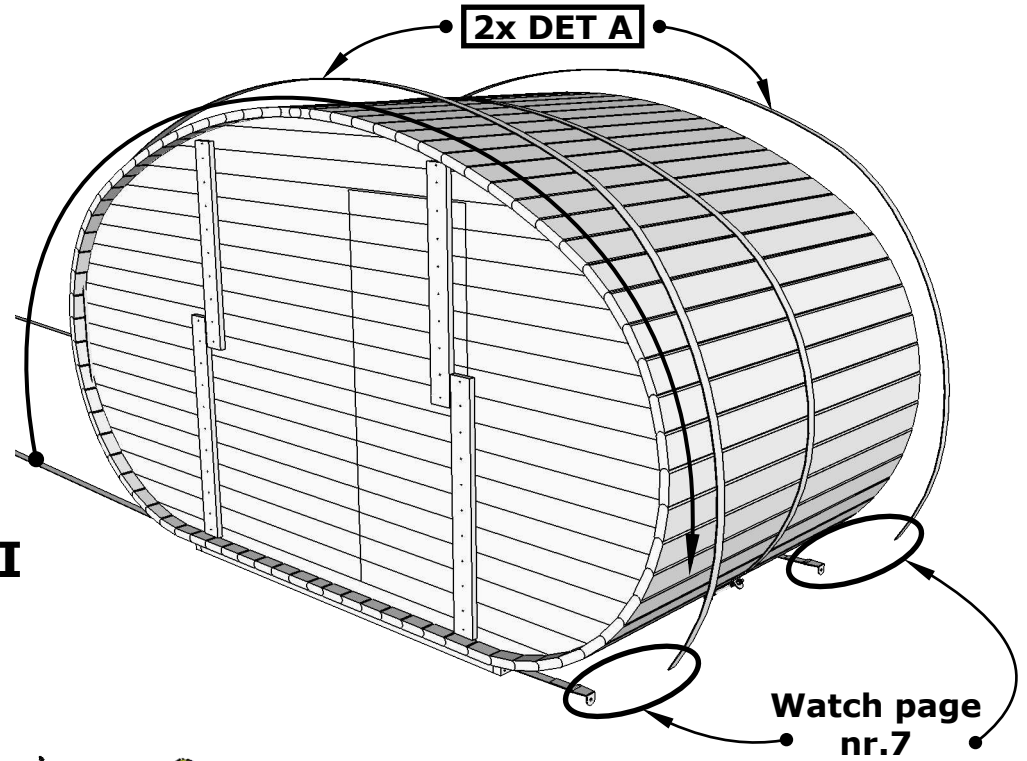
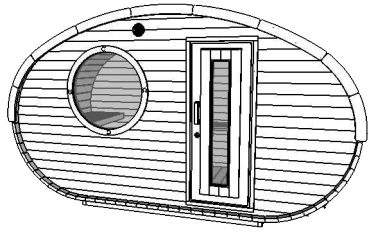
During assembly and retightening the threaded rods, use oil (Würth HPS 1400 or similar) to avoid "cold welding" and it is also easier tightening.



~240 mm

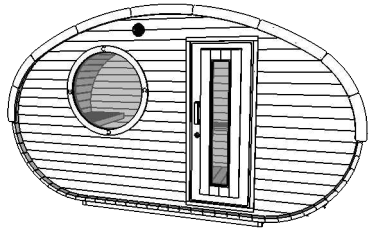


Sauna "Hobbit Tiny" 4 x 1,95

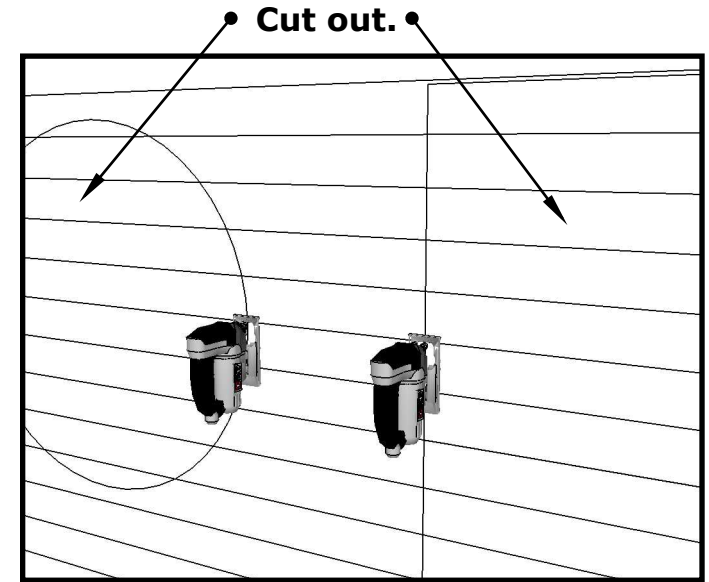
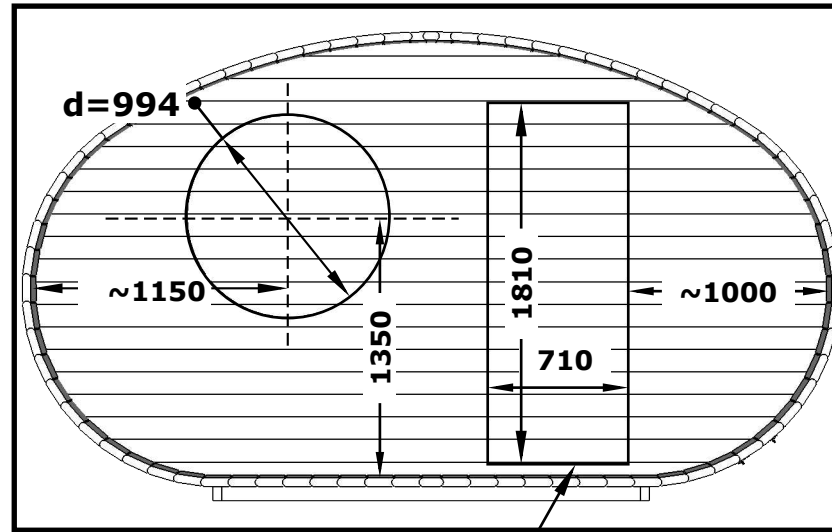


Remove screws and use them on further sauna installation.

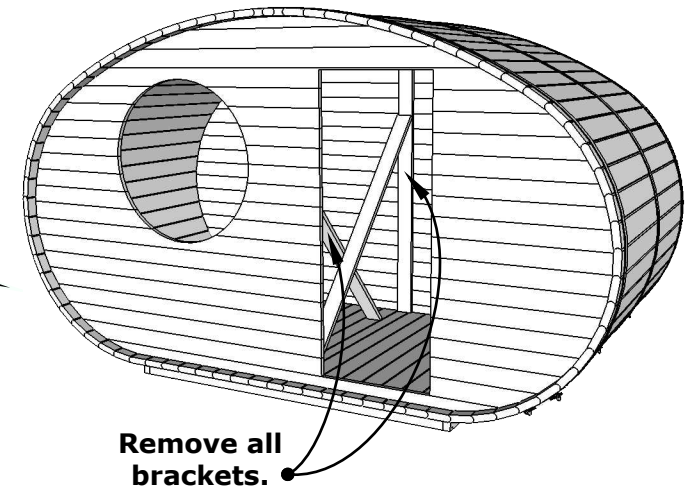
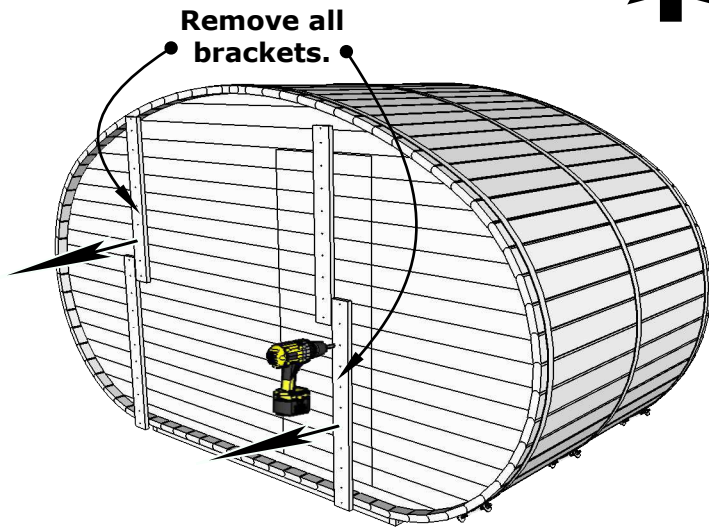
Sauna "Hobbit Tiny" 4 x 1,95



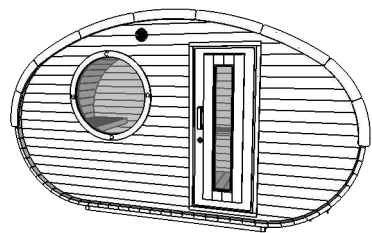
Mark openings and cut out.



II



Sauna "Hobbit Tiny" 4 x 1,95



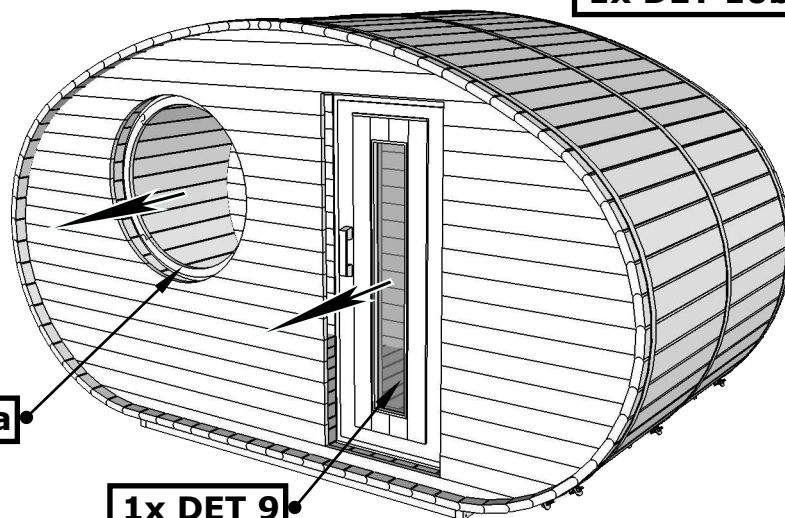
NB! Vertically fix screw in every board.

1x DET 10b

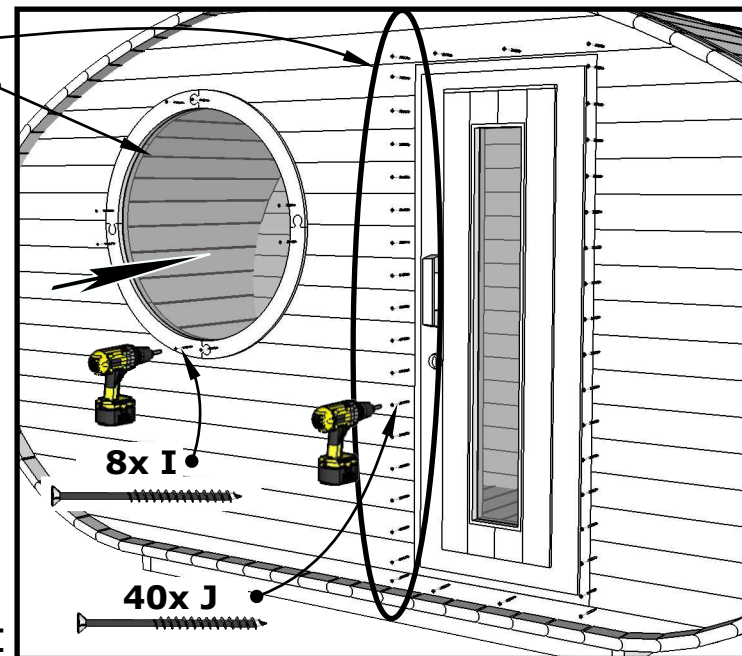


Use waterlevel for installation.
Place doors and windows from inside.

1x DET 10a



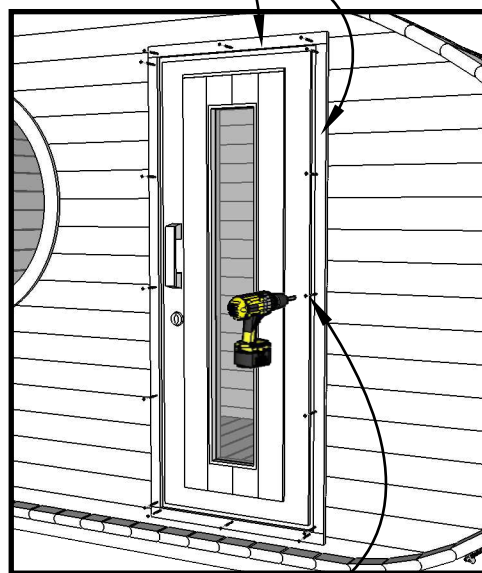
1x DET 9



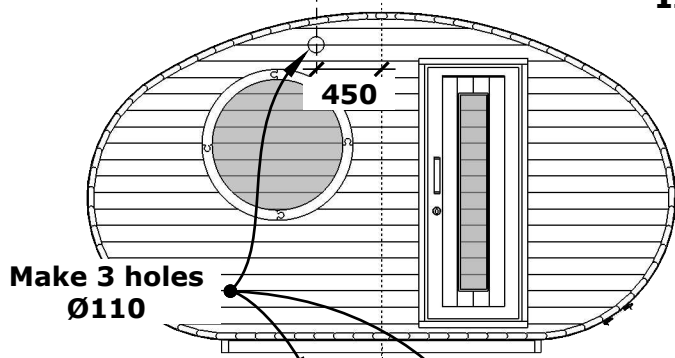
8x I

40x J

2x DET 9a
2x DET 9b



16x J



Make 3 holes
Ø110

450

IV

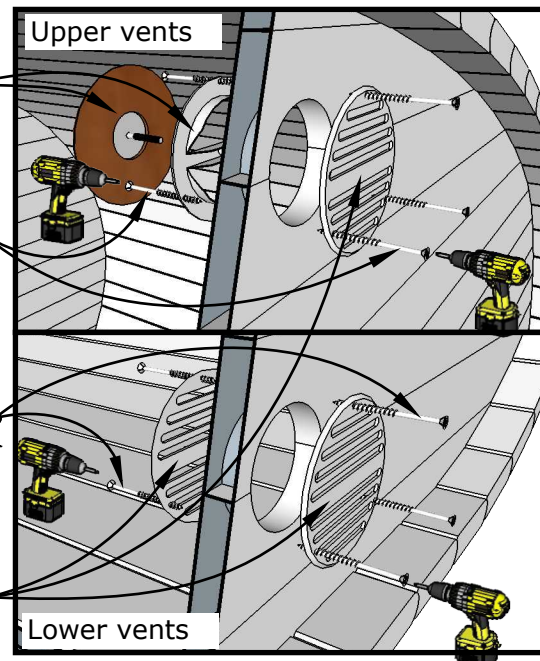
Sauna midpoint 850

2x DET F

12x K

6x K

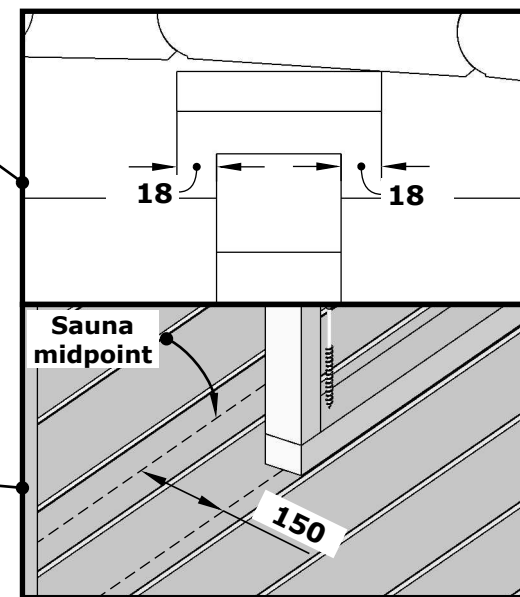
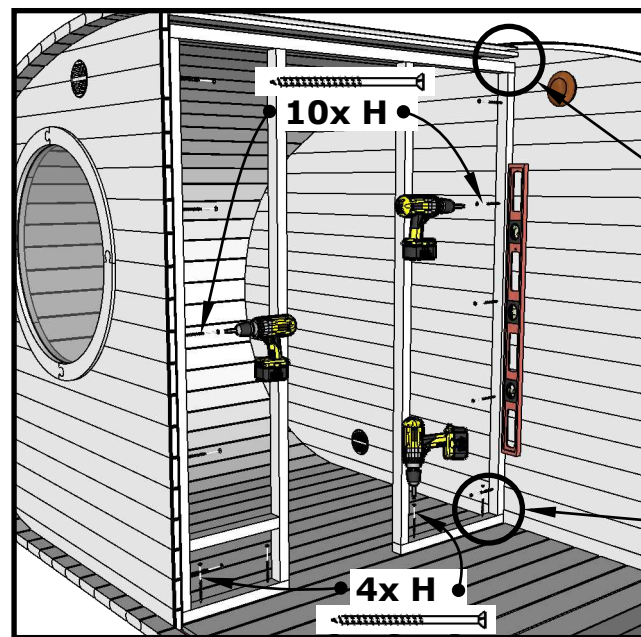
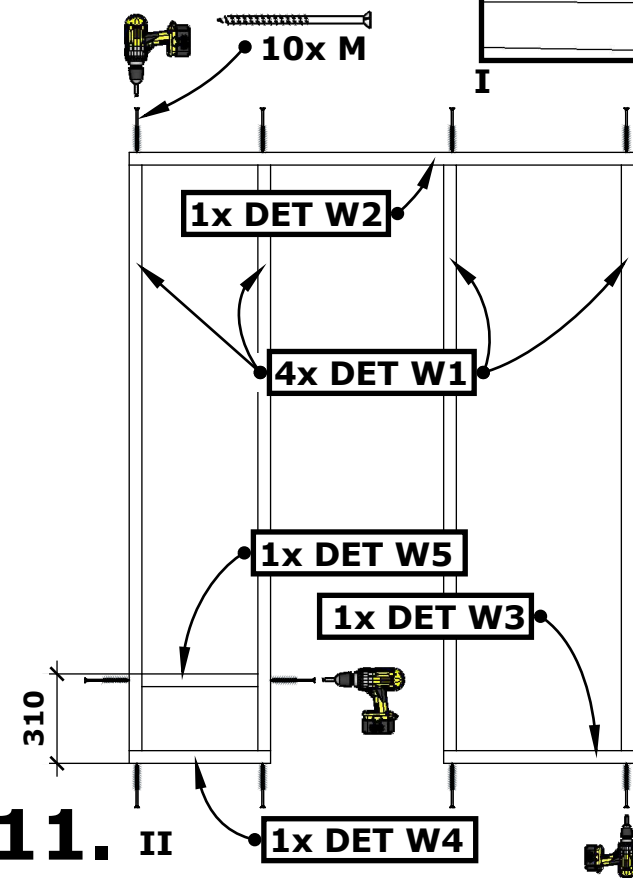
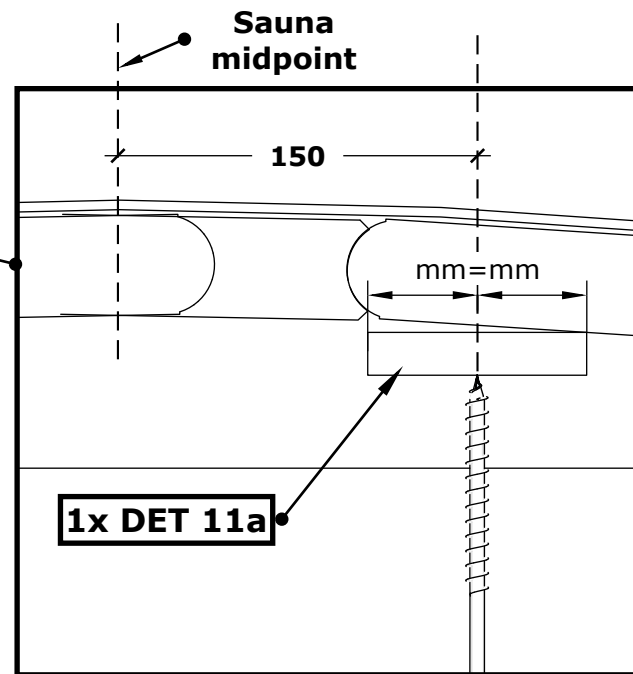
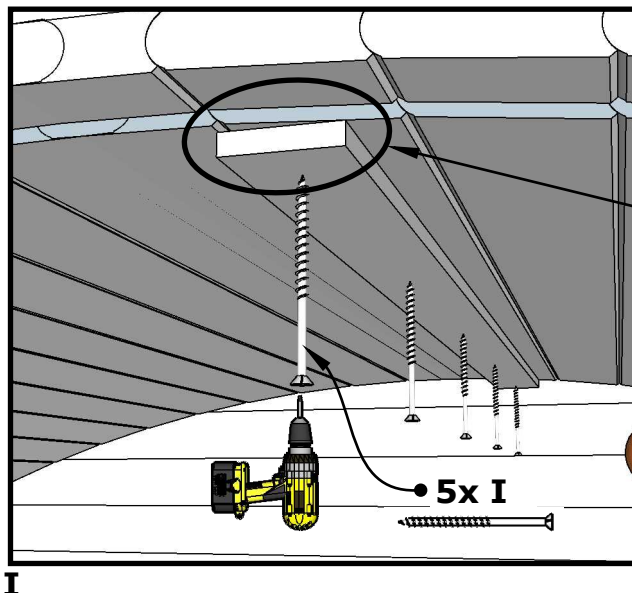
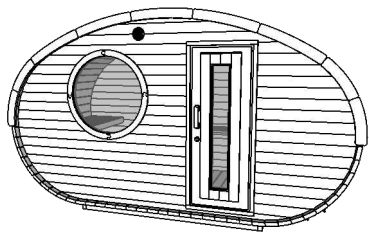
4x DET G



Upper vents

Lower vents

Sauna "Hobbit Tiny" 4 x 1,95

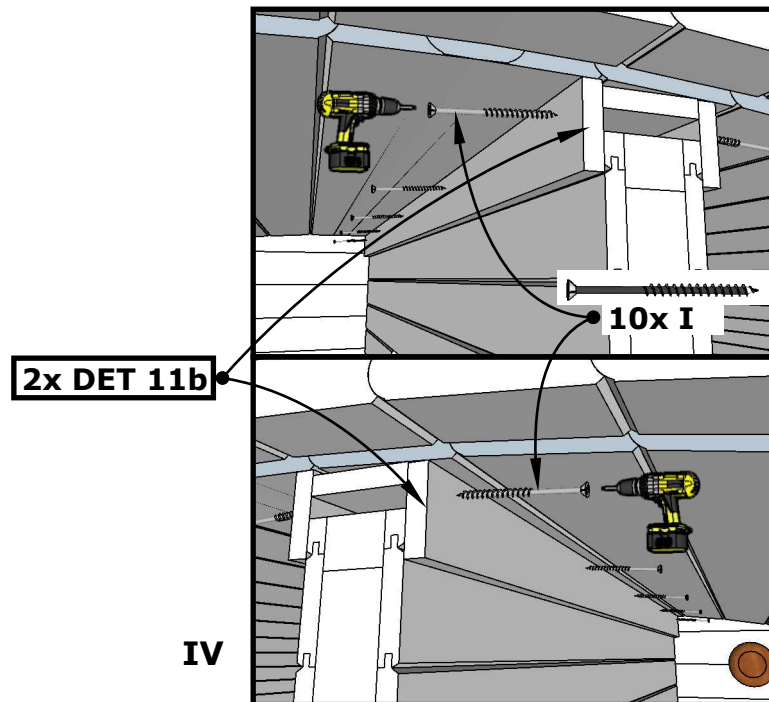
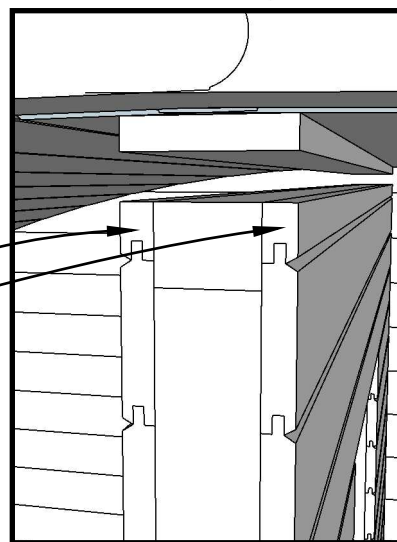
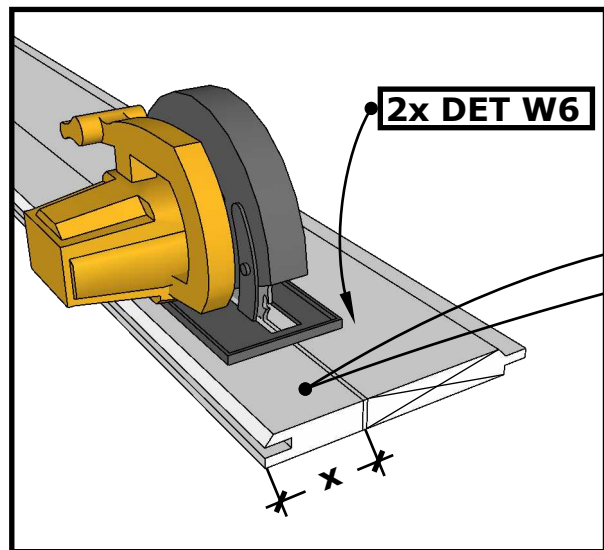
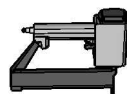
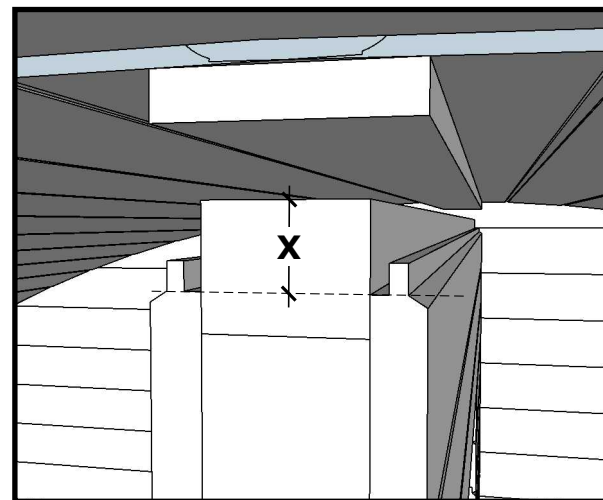
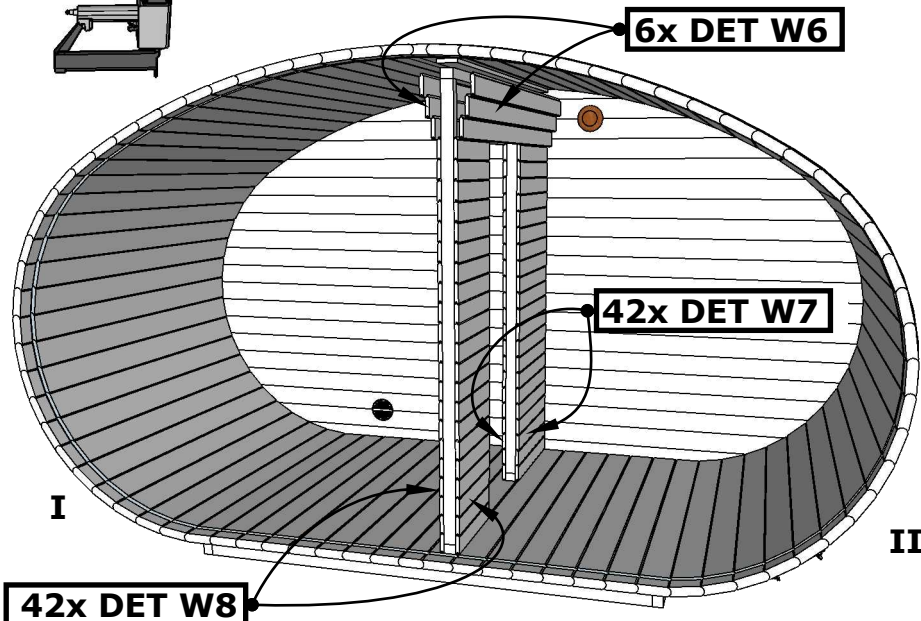
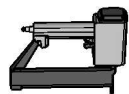
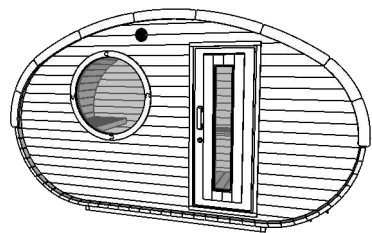


11. II

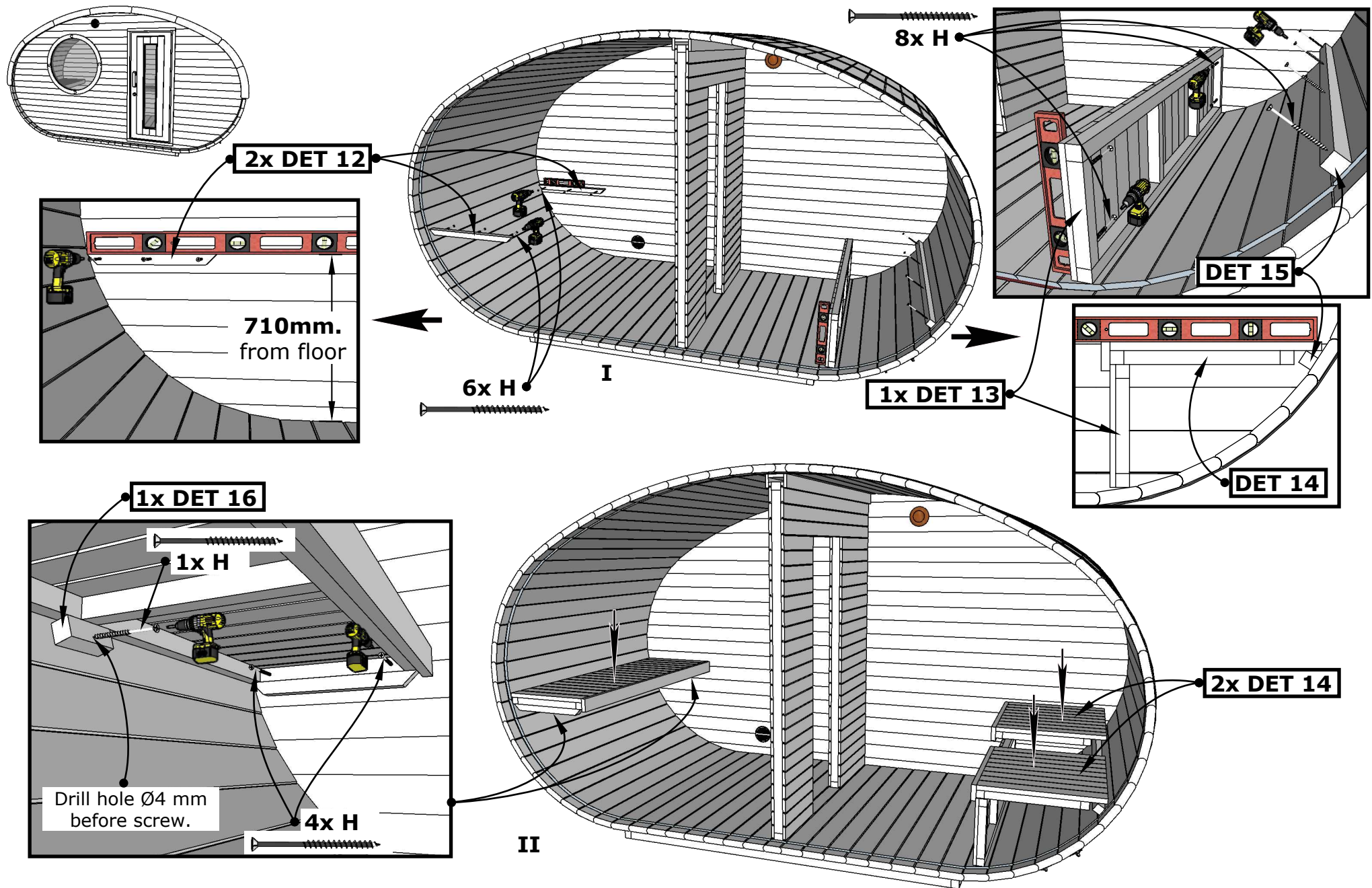
III

IV

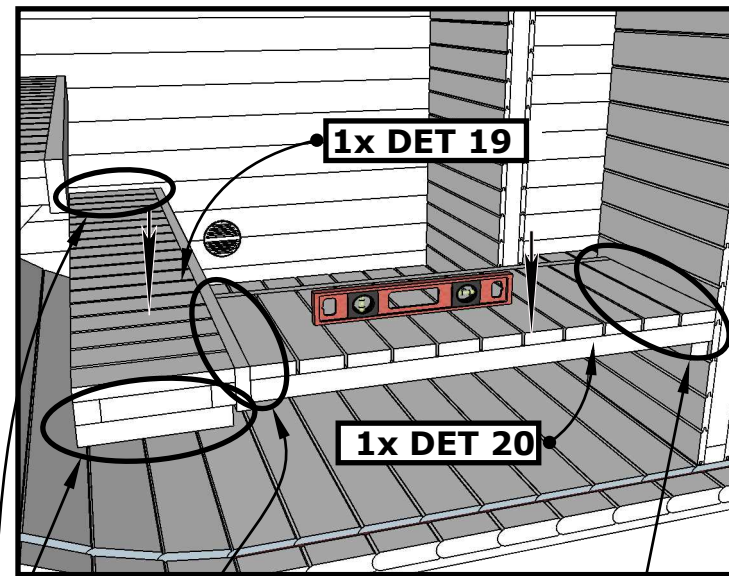
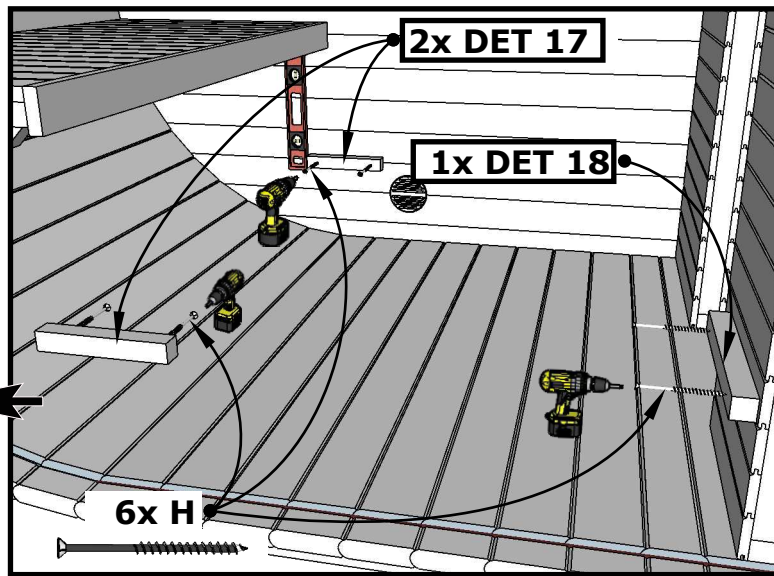
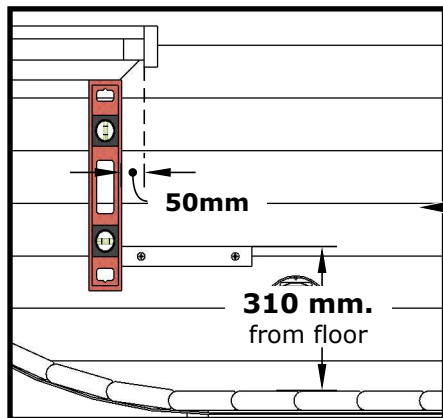
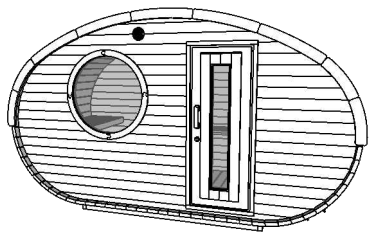
Sauna "Hobbit Tiny" 4 x 1,95



Sauna "Hobbit Tiny" 4 x 1,95



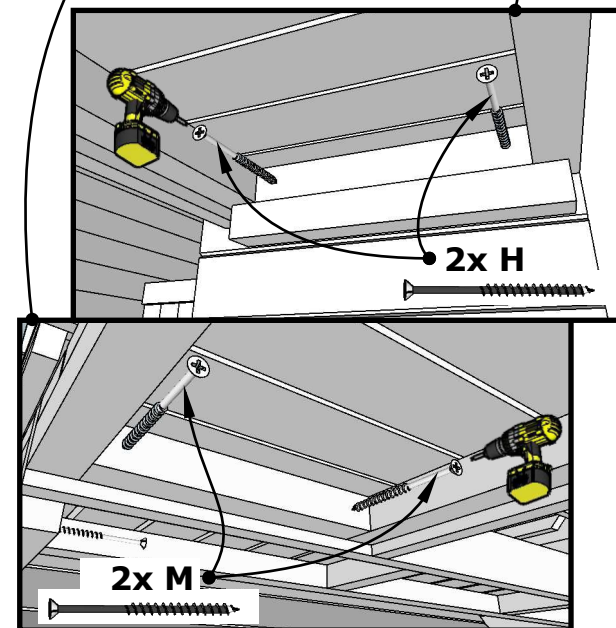
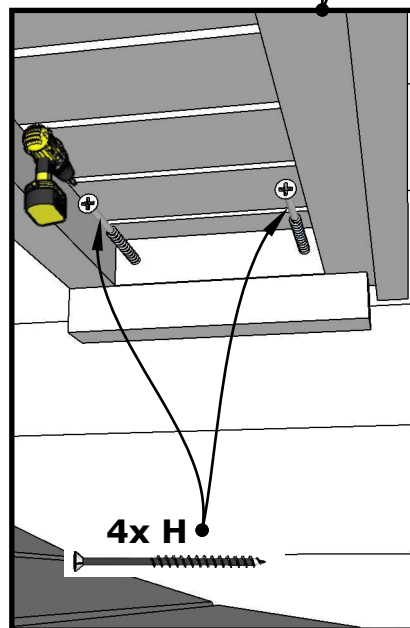
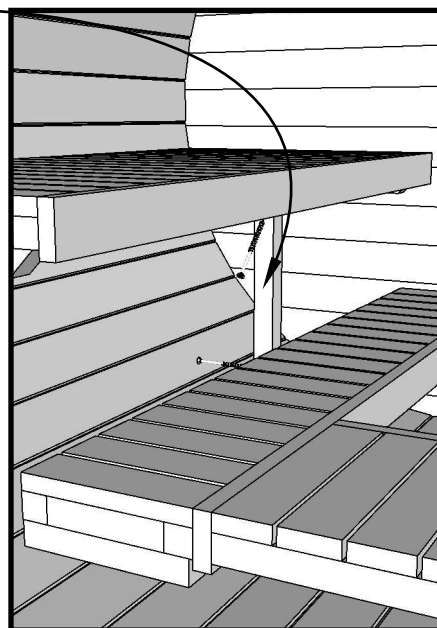
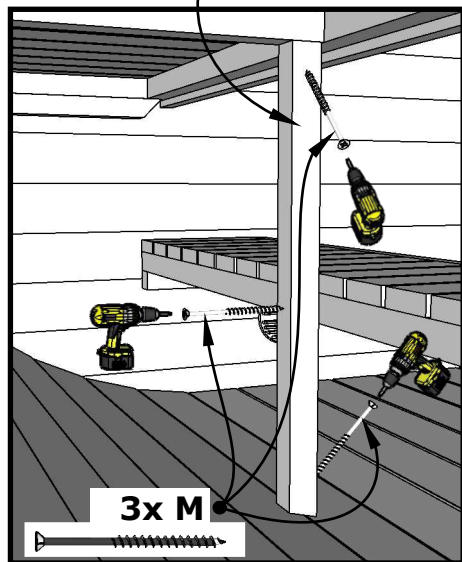
Sauna "Hobbit Tiny" 4 x 1,95



I

II

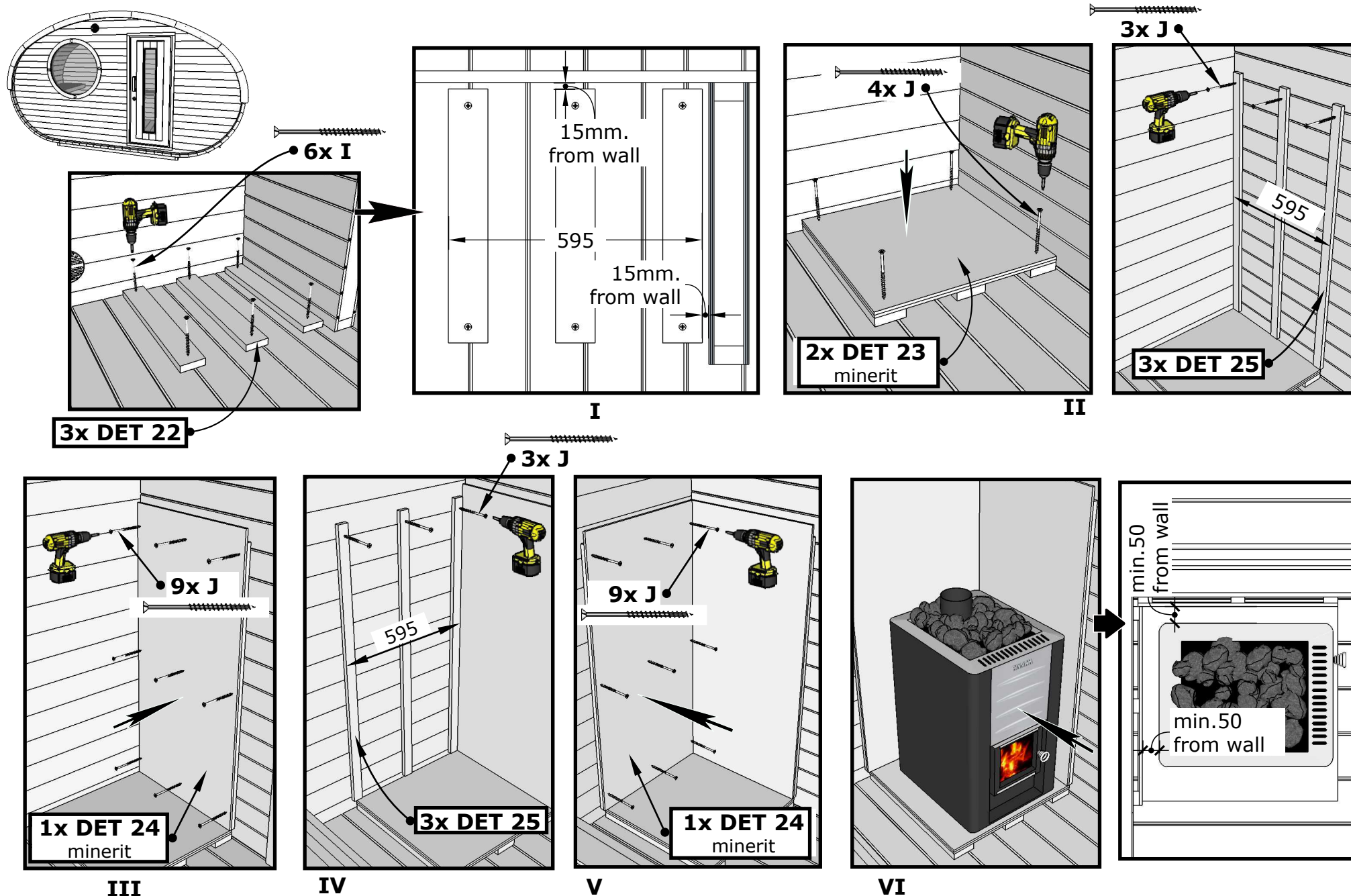
1x DET 21
Cut on right size



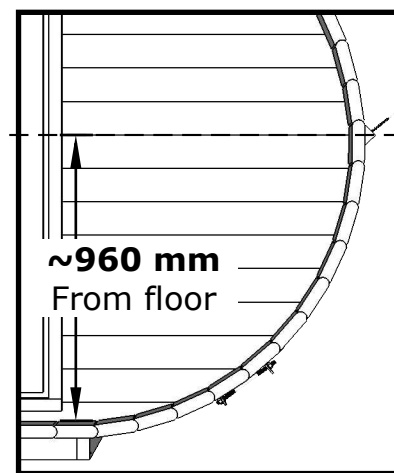
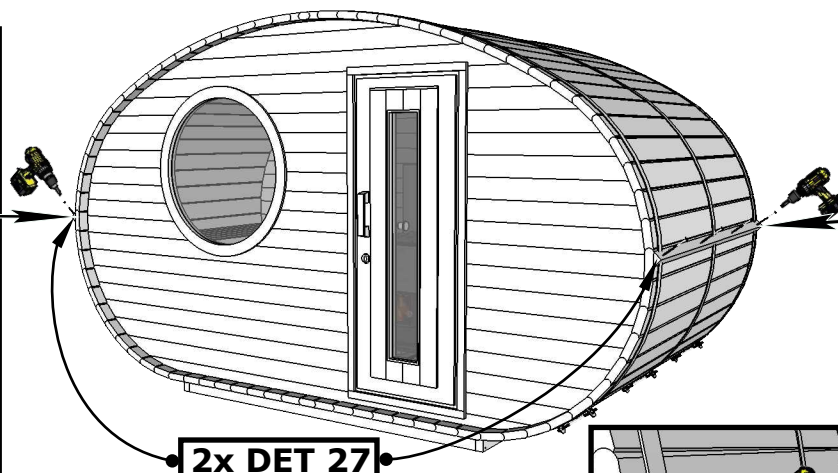
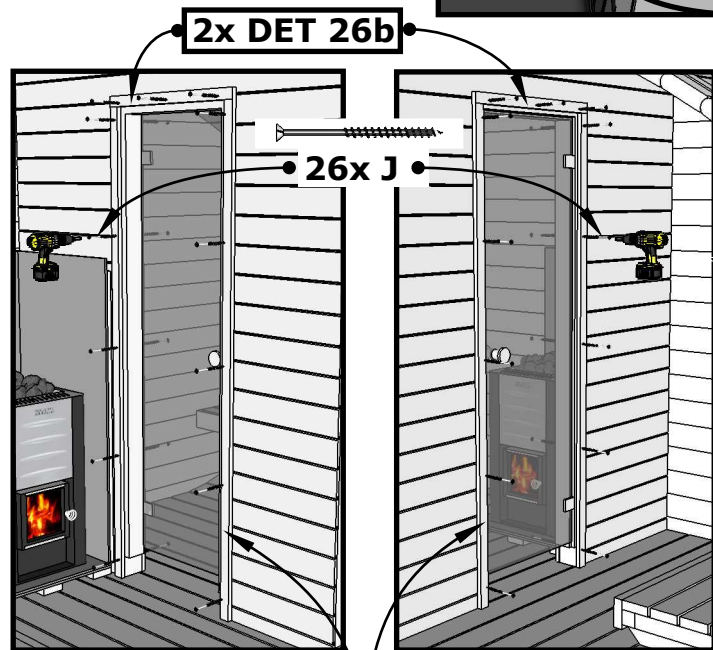
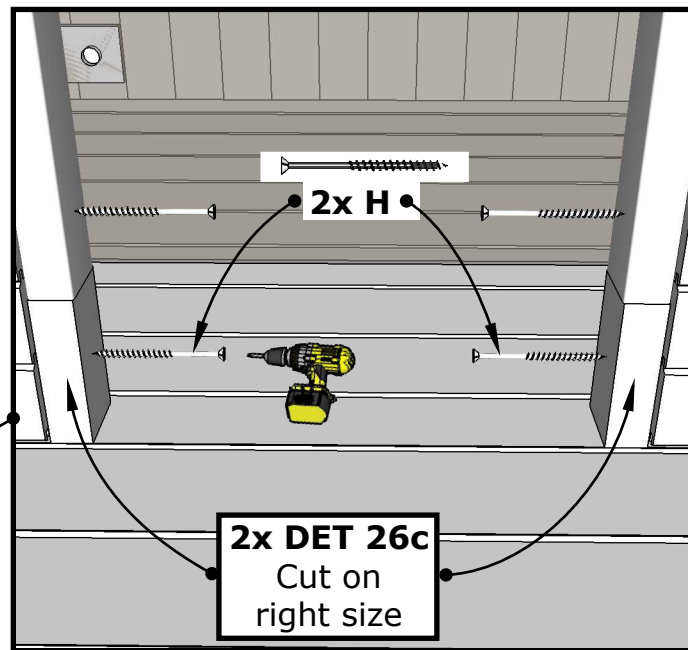
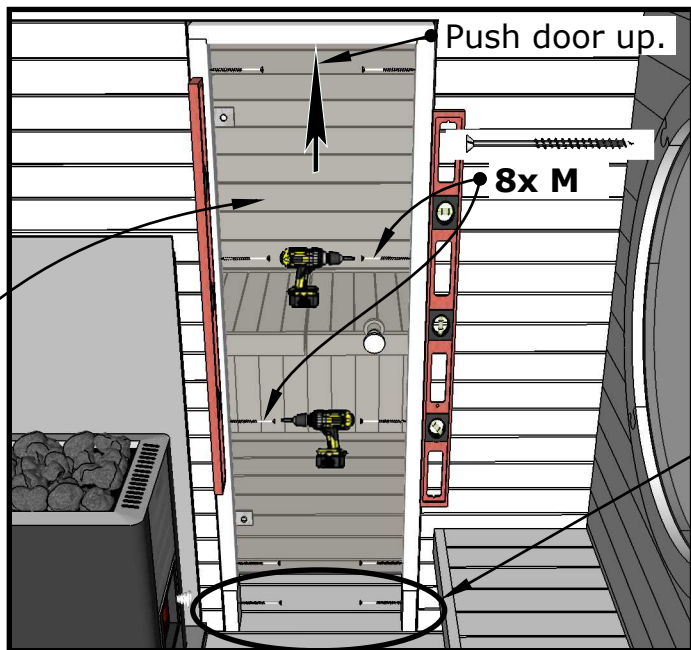
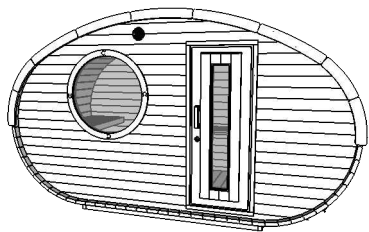
14.

III

Sauna "Hobbit Tiny" 4 x 1,95

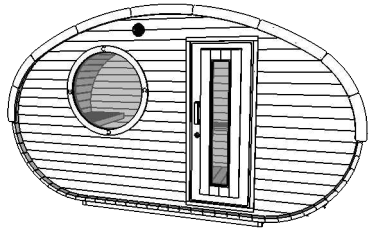


Sauna "Hobbit Tiny" 4 x 1,95

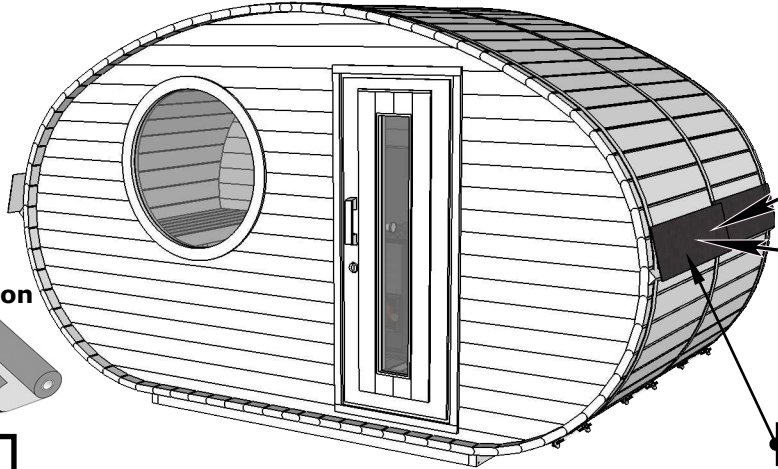


16.

Sauna "Hobbit Tiny" 4 x 1,95



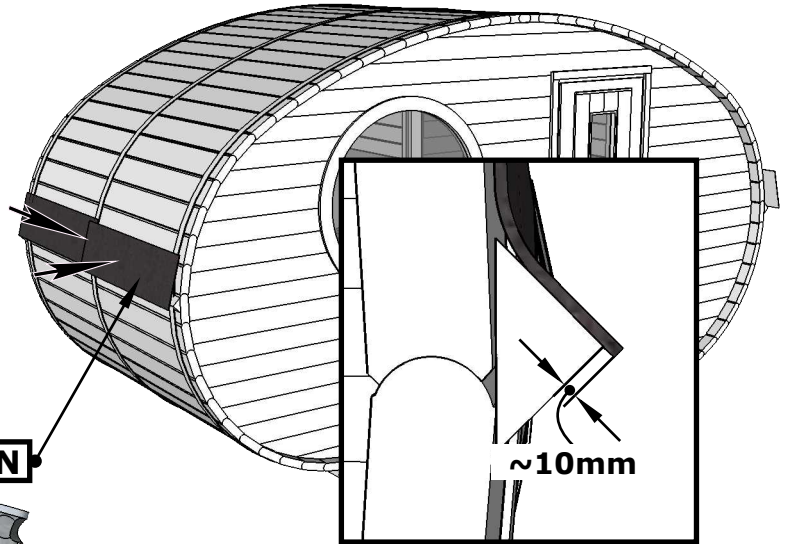
NB! Before roof shingles, install underlay felt. Check underlay felt installation manual on extra pages.



Check also roof shingles installation manual inside package.

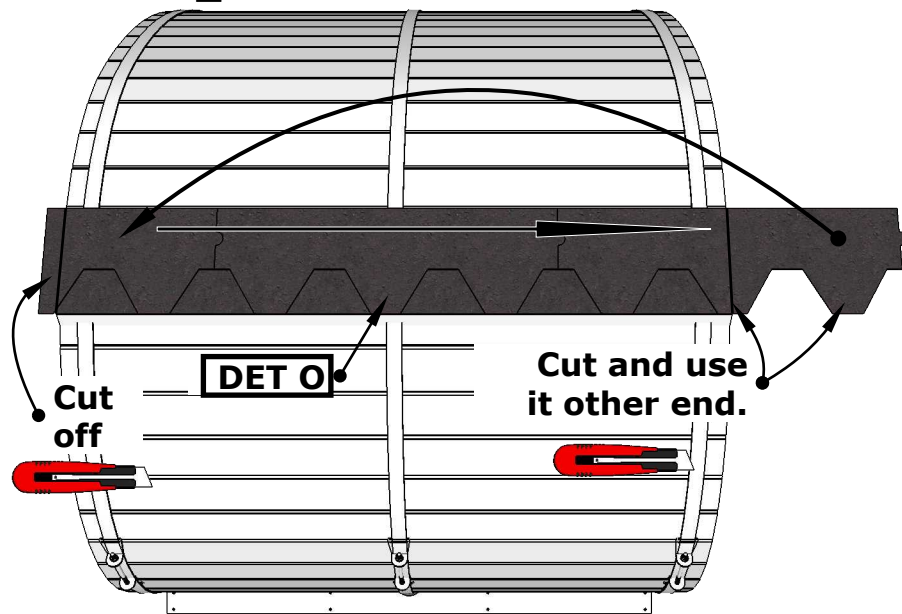
DET N

I



~10mm

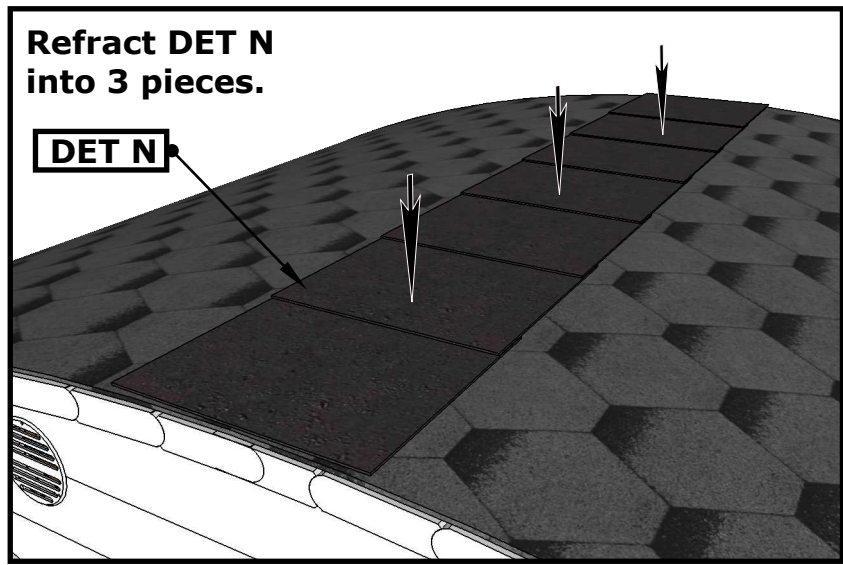
Check also roof shingles installation manual inside package.



DET O

Cut and use it other end.

Cut off

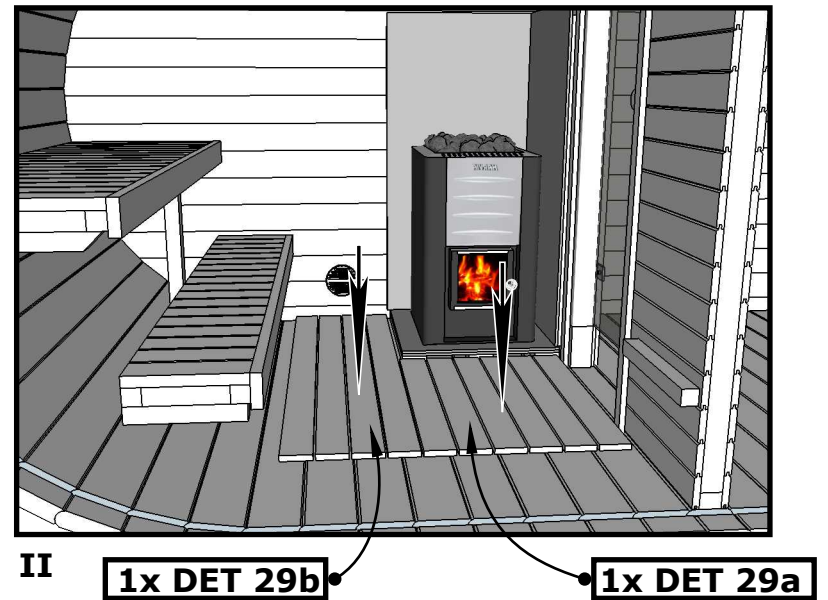
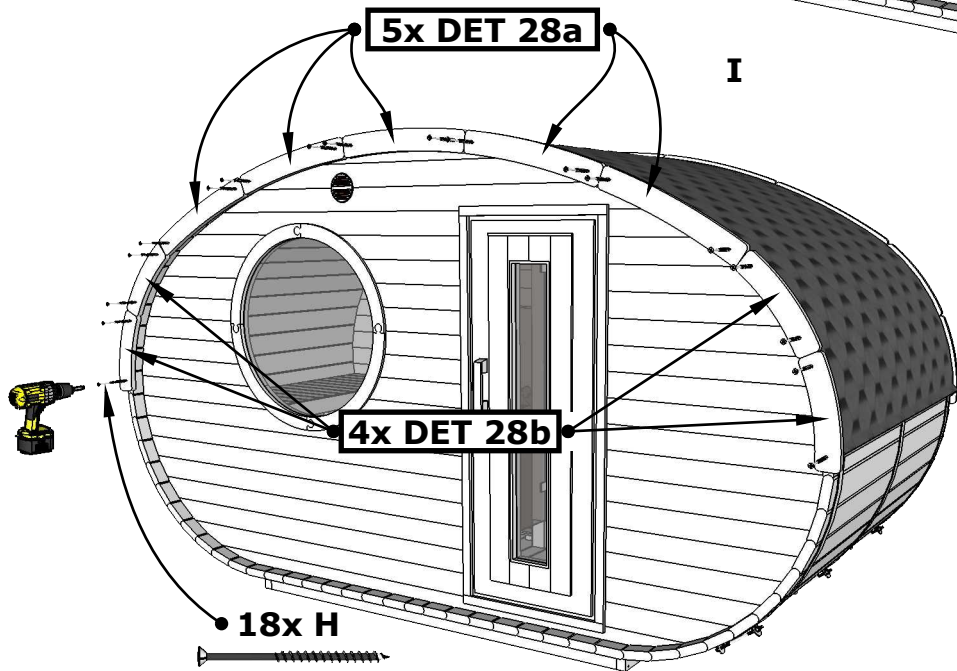
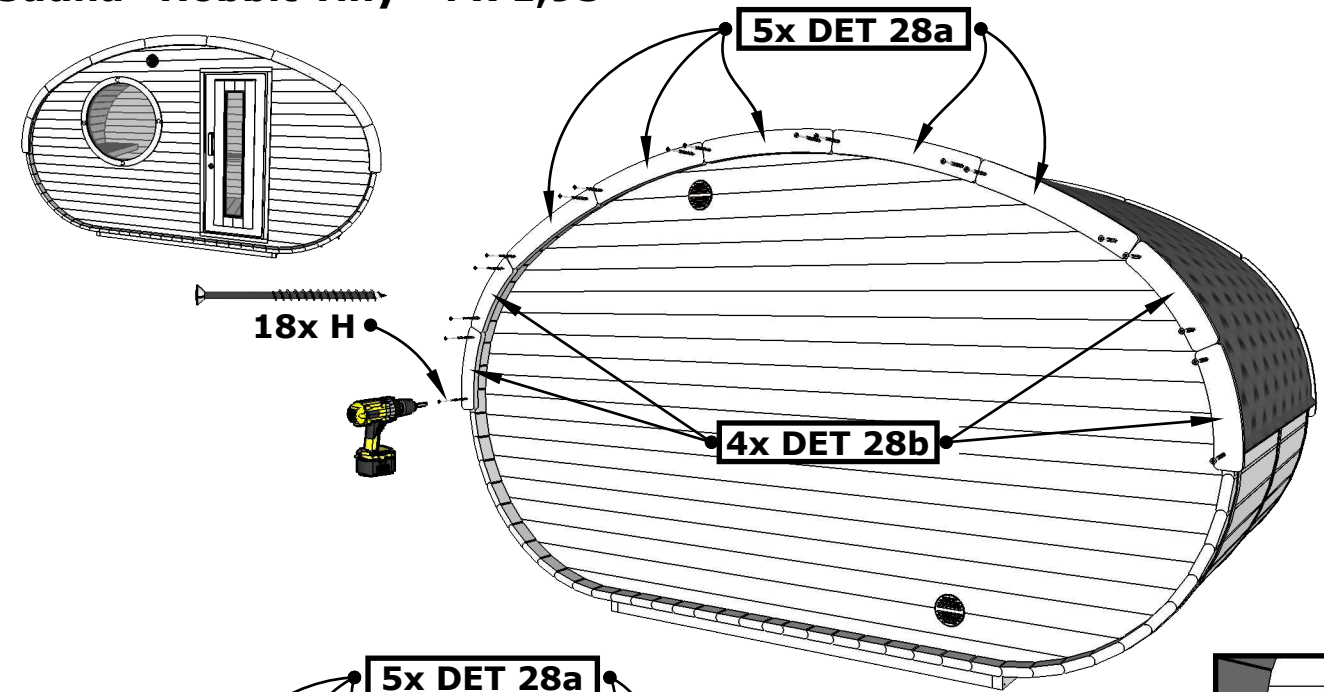


DET N

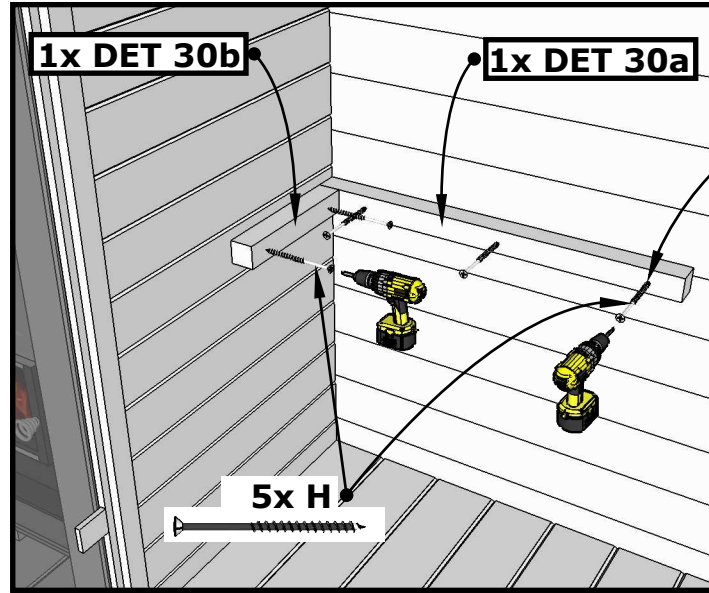
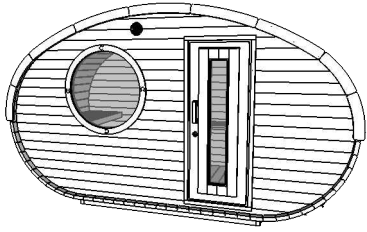
Refract DET N into 3 pieces.

III

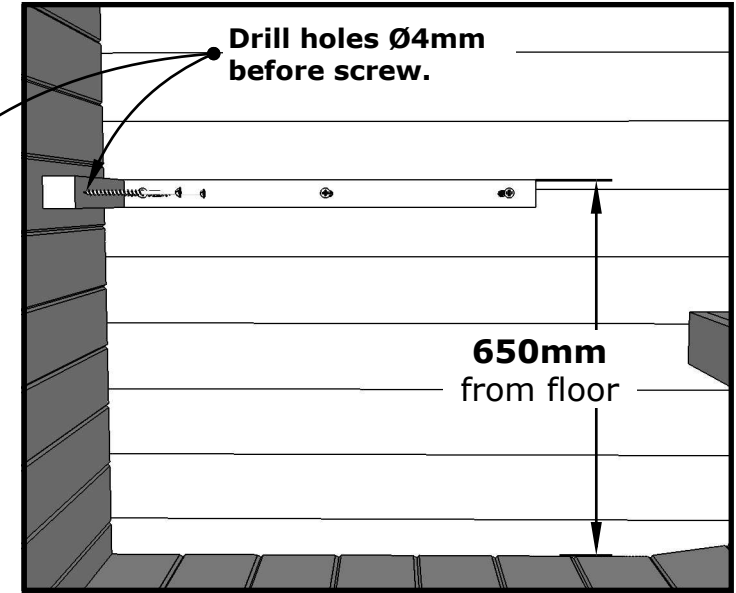
Sauna "Hobbit Tiny" 4 x 1,95



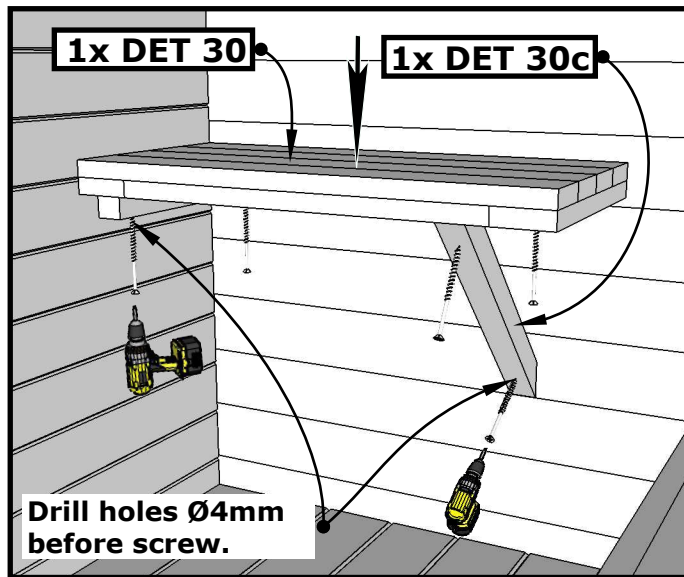
Sauna "Hobbit Tiny" 4 x 1,95



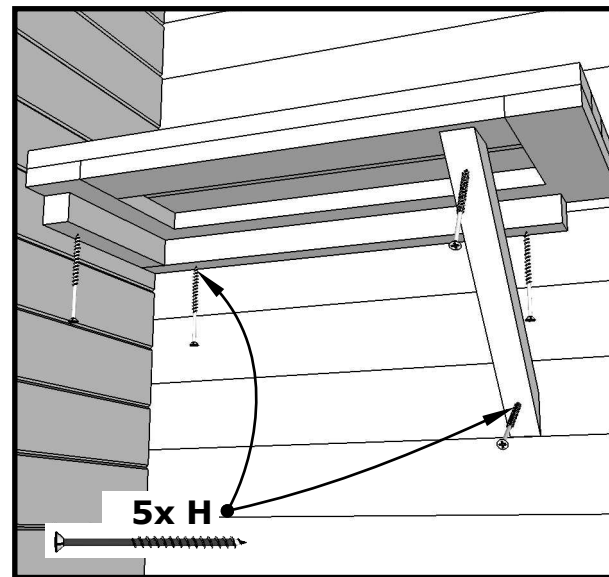
I



II



III



IV

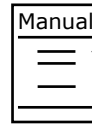
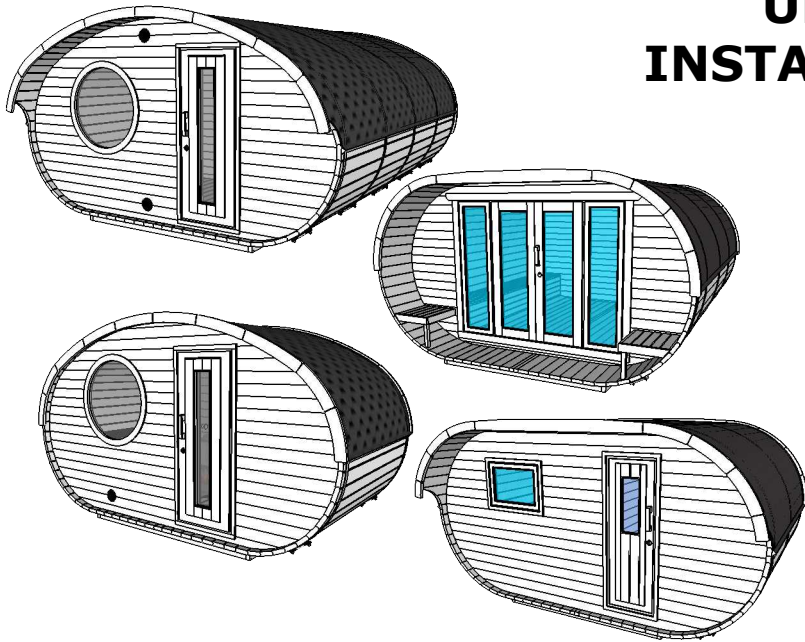


V

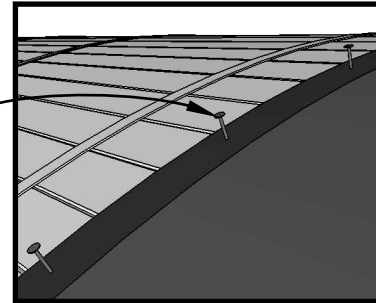
Self-adhesive UNDERLAY FELT INSTALLATION MANUAL.

Check also underlay felt installation manual inside the package.

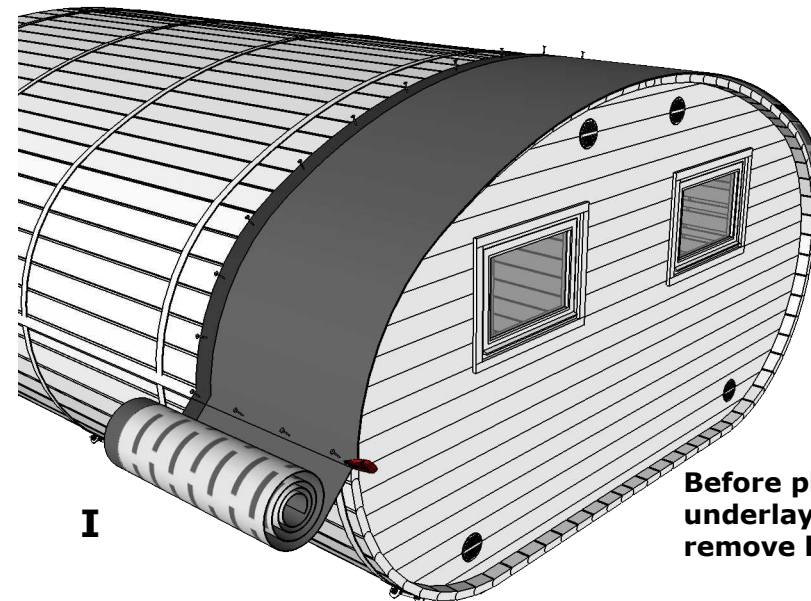
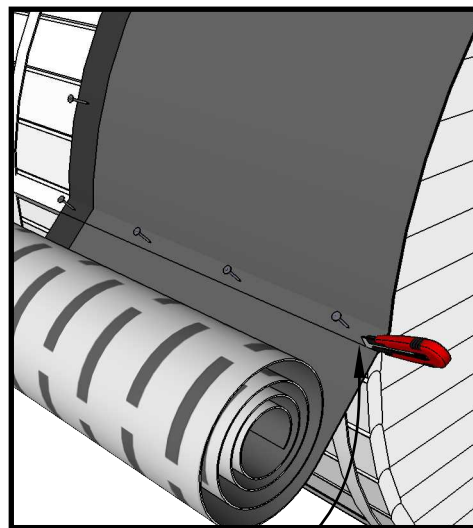
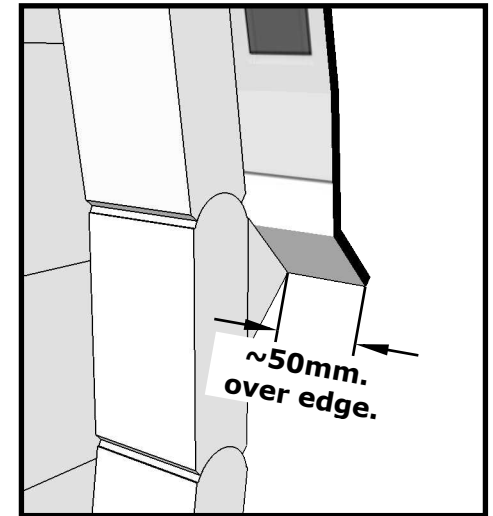
The temperature during installation should be a minimum of +10°C. In colder conditions, a hot air gun should be used. **Hot bitumen or torching must not be used when installing the felt.**



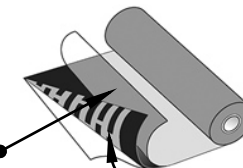
Use clout nails only on bitumen side.



Start from backside!

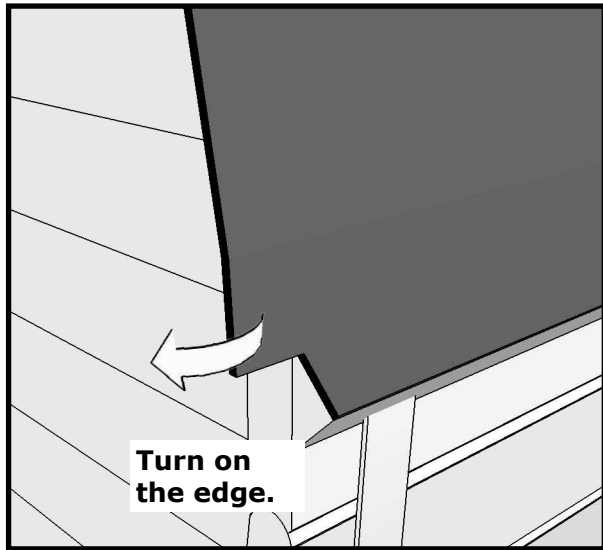


Before placing underlay felt, remove bottom film.



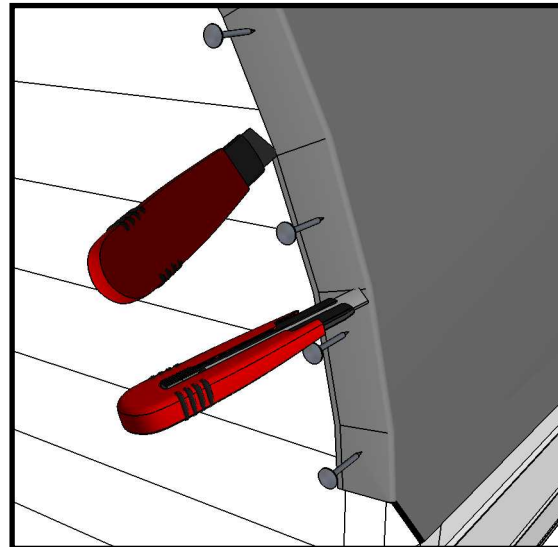
Place side with stripes against the wood.

1.

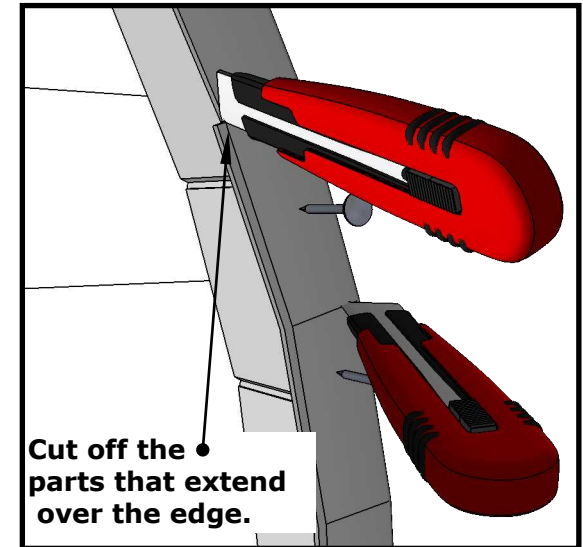


Turn on the edge.

I

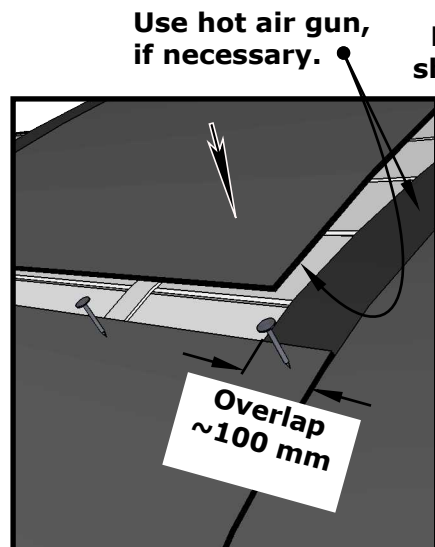


II



Cut off the parts that extend over the edge.

III

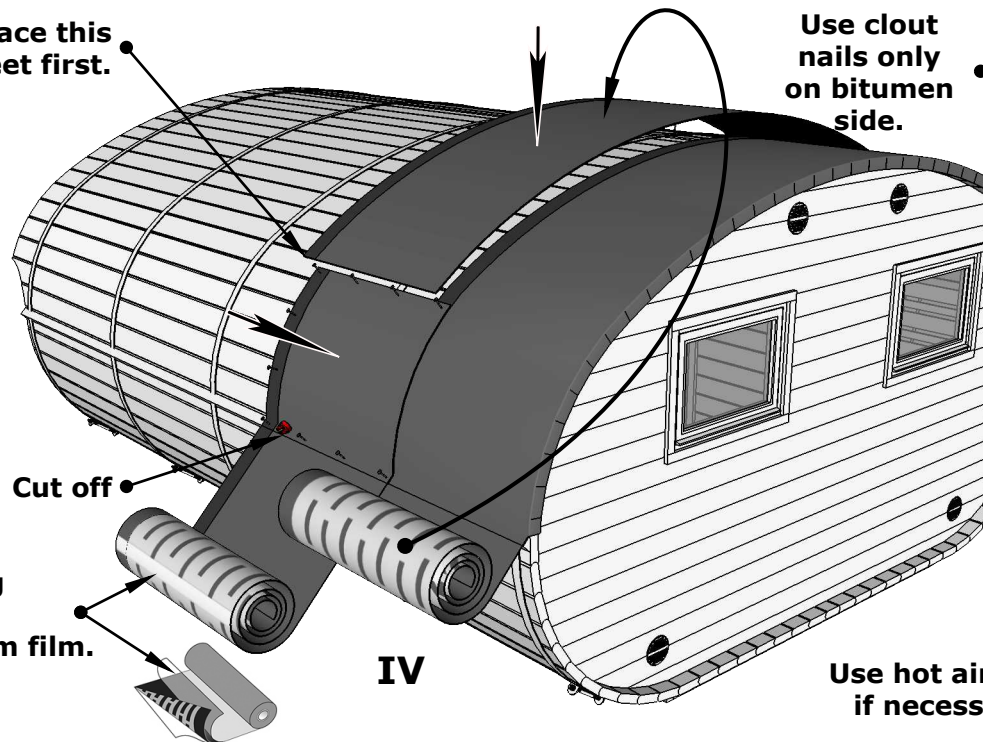


Use hot air gun, if necessary.

Place this sheet first.

Overlap ~100 mm

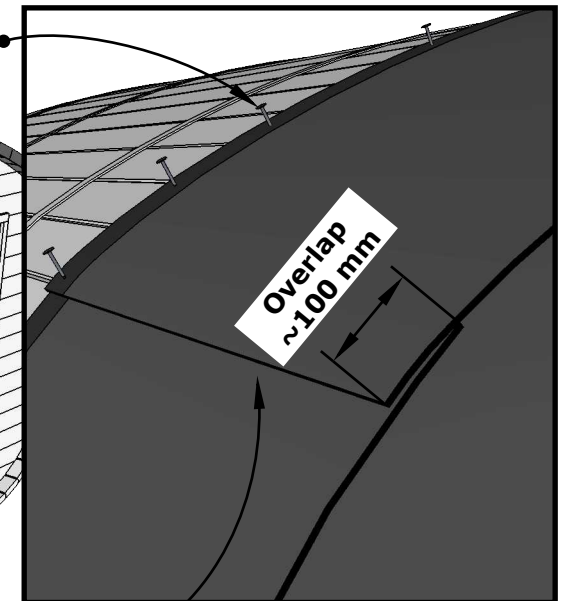
Before placing underlay felt, remove bottom film.



Cut off

IV

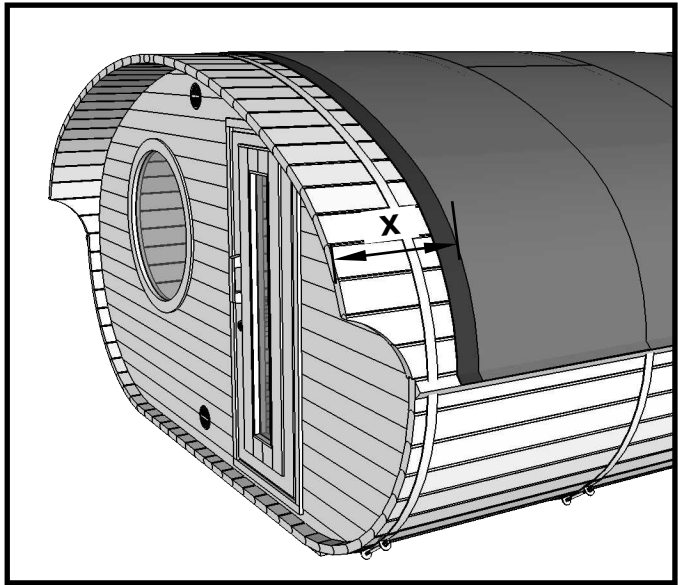
Use clout nails only on bitumen side.



Overlap ~100 mm

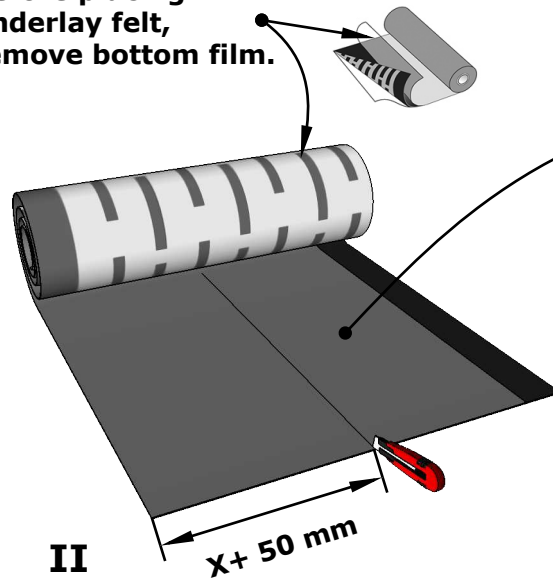
Use hot air gun, if necessary.

2.

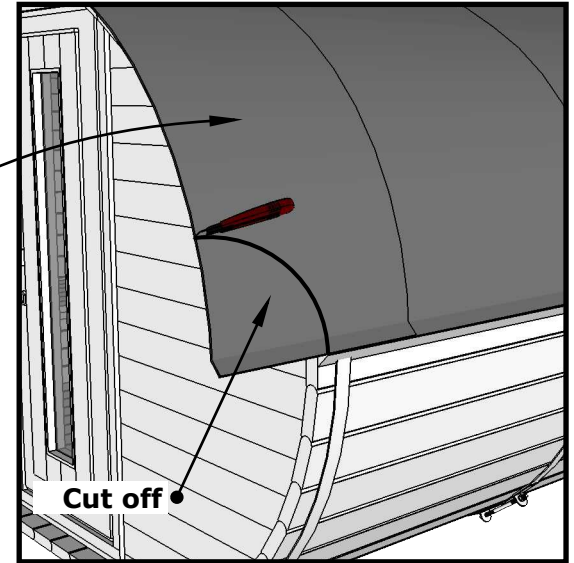


I

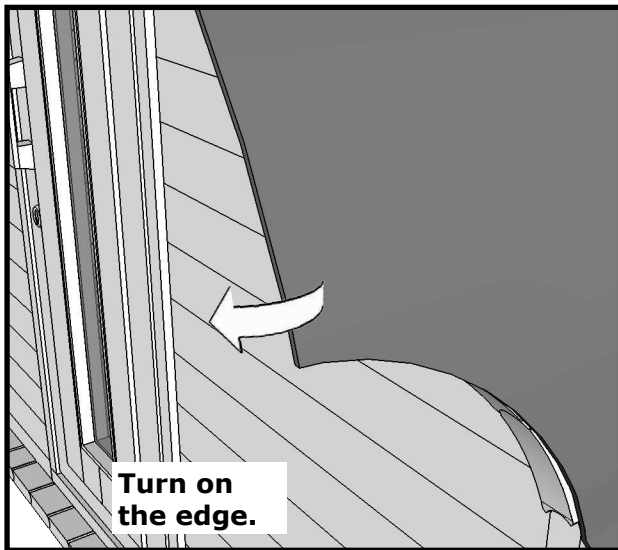
Before placing underlay felt, remove bottom film.



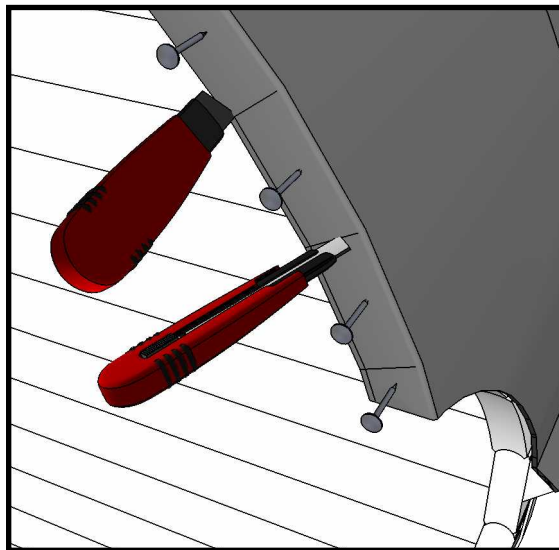
II



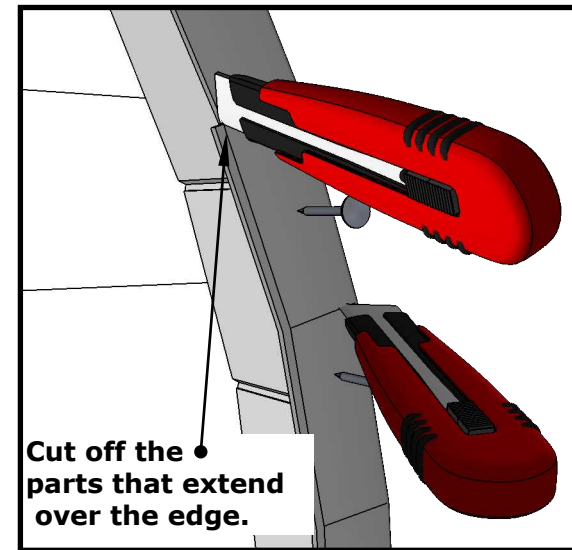
III



IV



V



VI

Continue with roof shingles.

3.