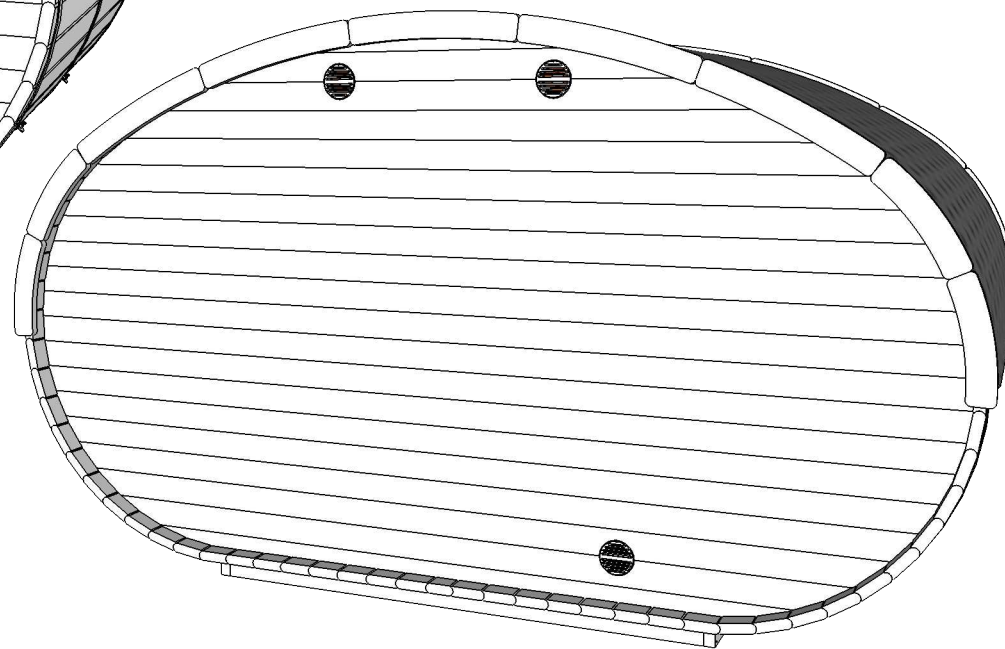


OvalSauna "Hobbit" 4 x 2,4

(el.heater)

(PU 002)

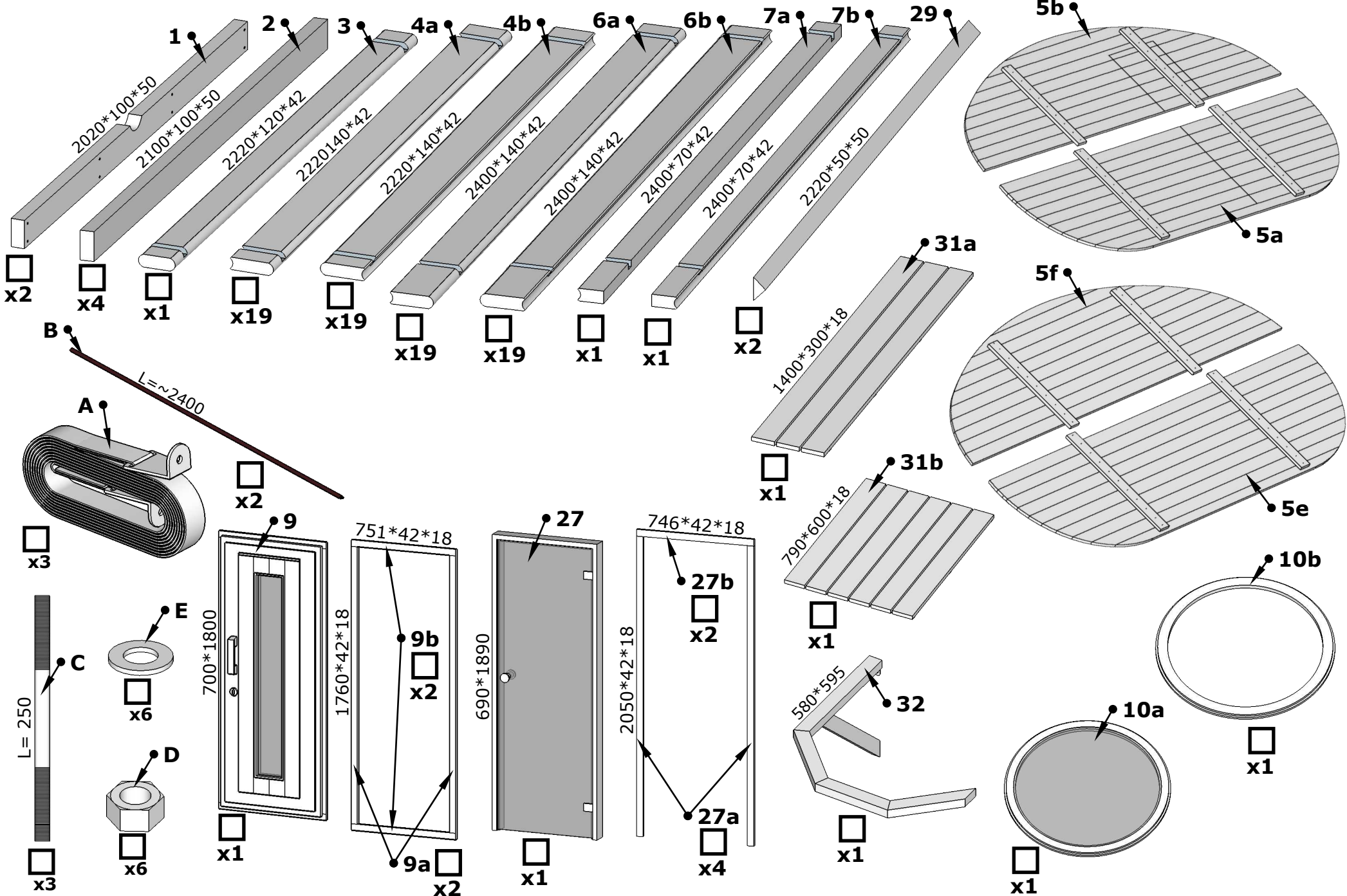
ELEKTRIKERISE VAR.



**NB! Please read whole manual
before start.
All given measurements
are in millimeters!**

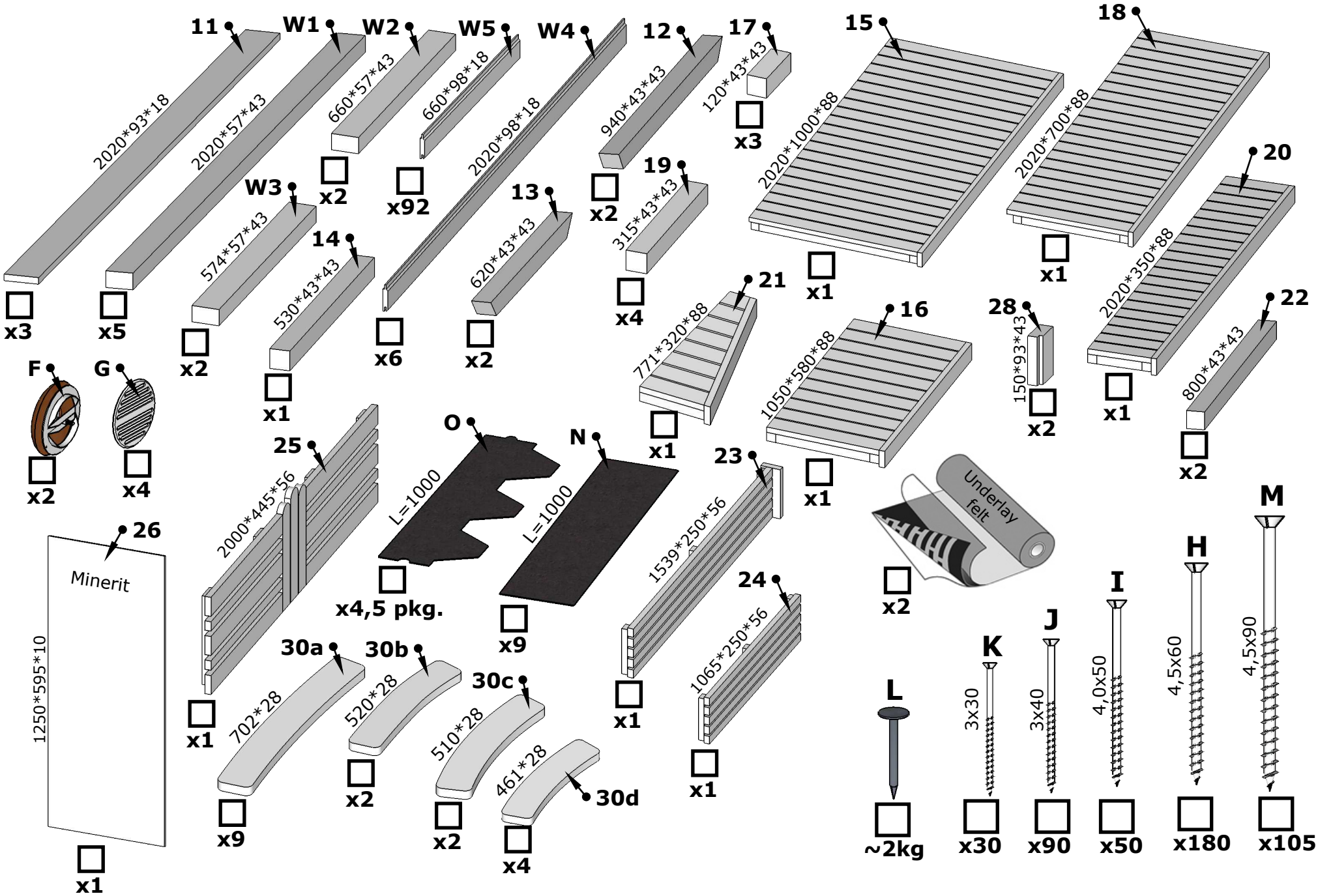
OvalSauna "Hobbit" 4x 2,4(el.heater)

Details list 1.

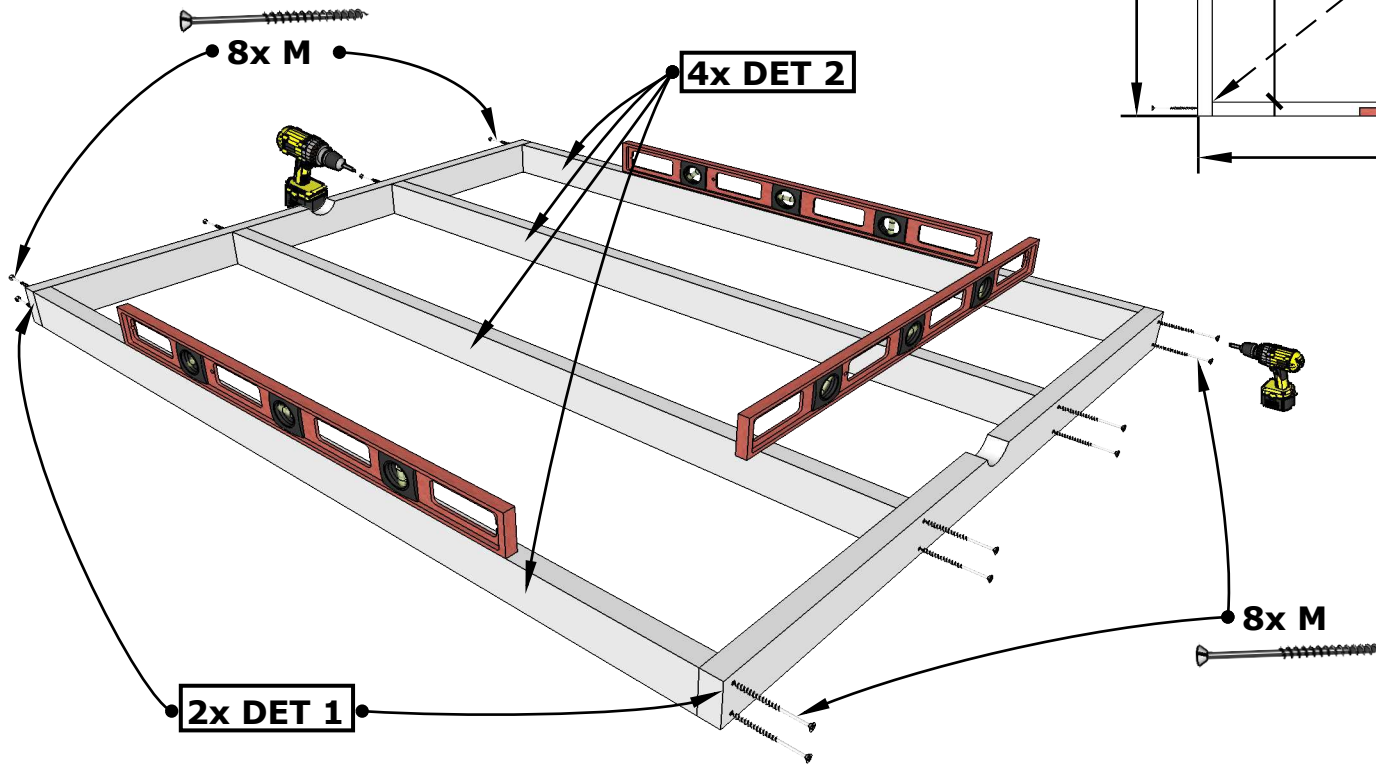
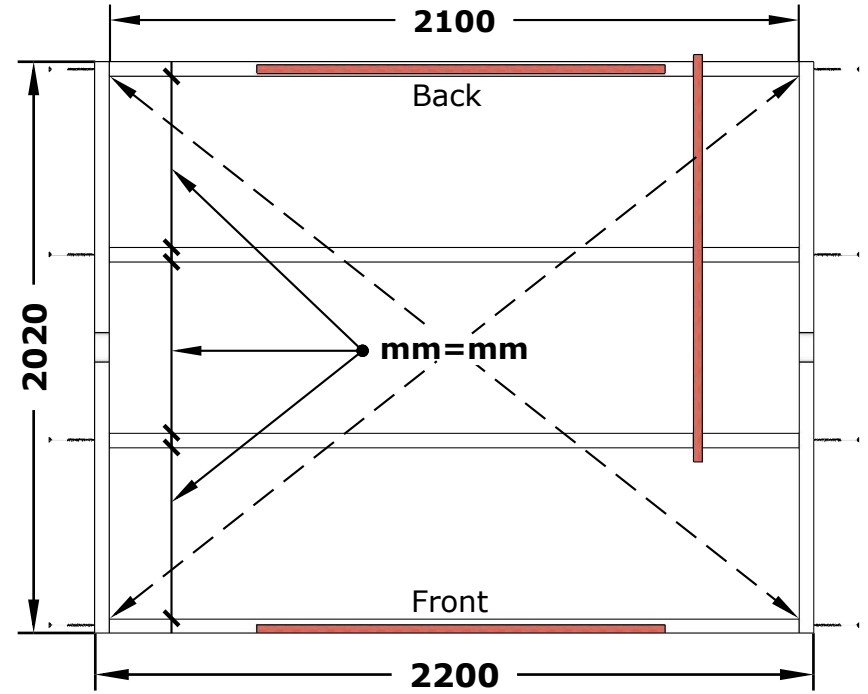


OvalSauna "Hobbit" 4x 2,4(el.heater)

Details list 2.

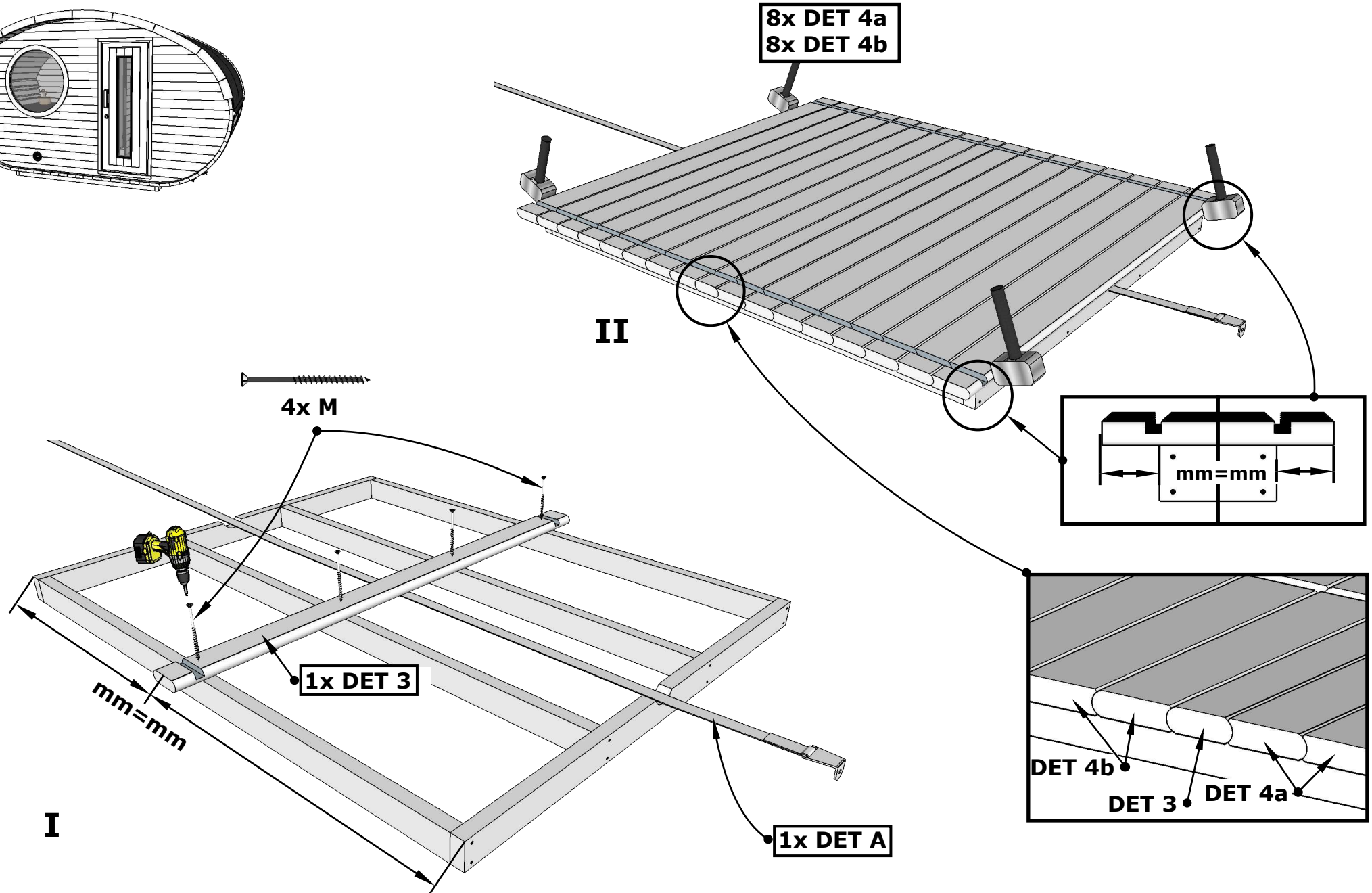


Oval Sauna "Hobbit" 4 x 2,4 (El.heater)



1.

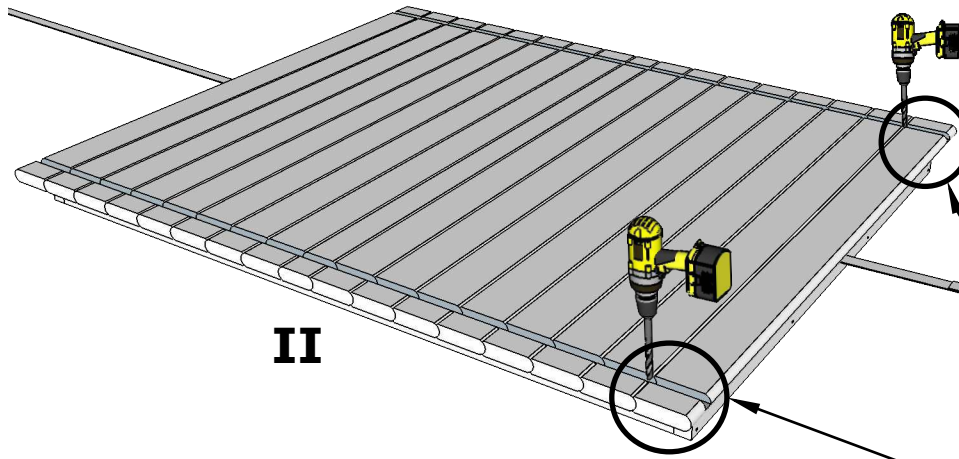
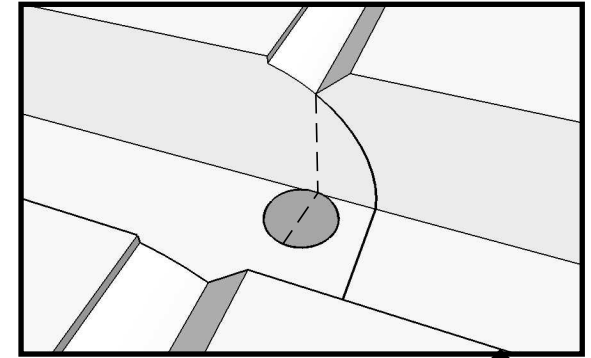
Oval Sauna "Hobbit" 4 x 2,4 (El.heater)



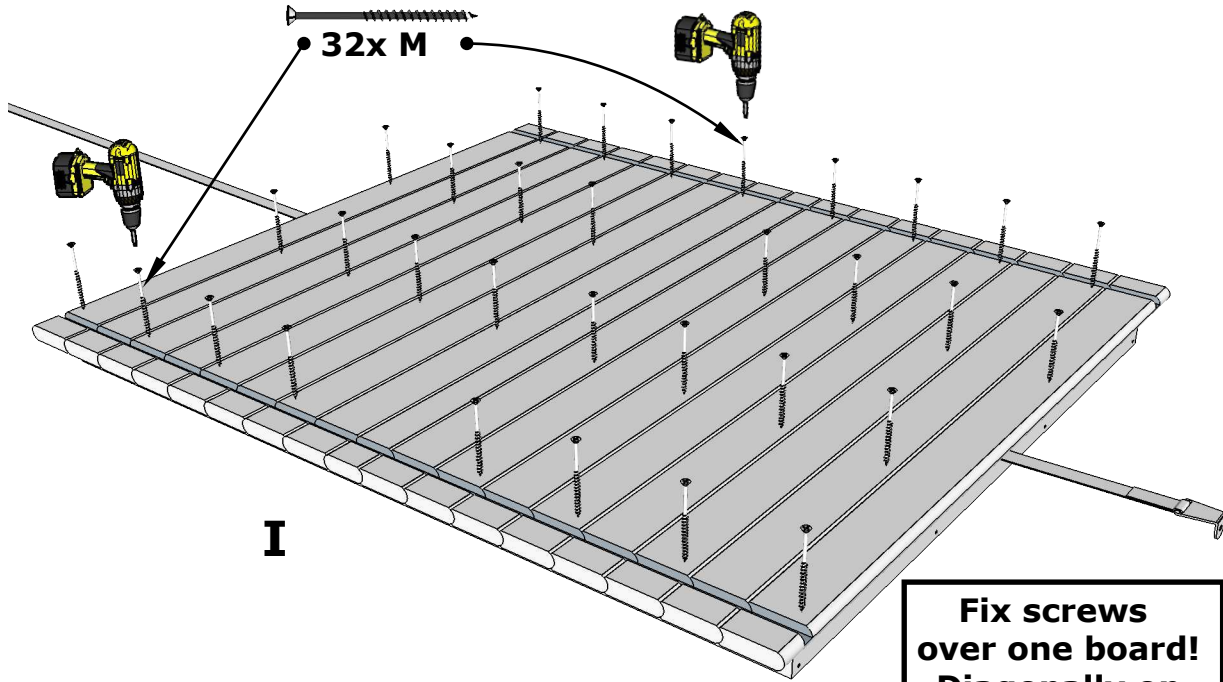
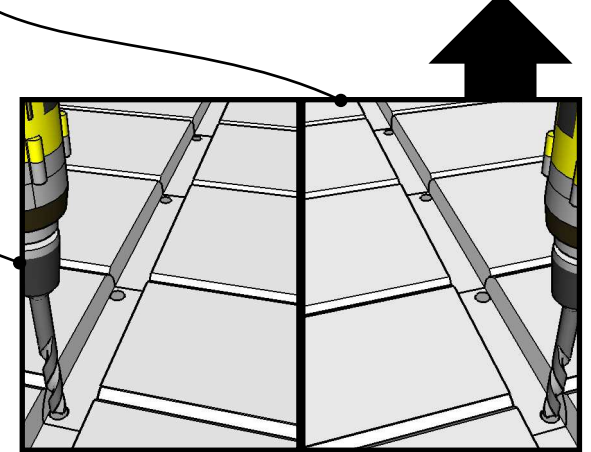
Oval Sauna "Hobbit" 4 x 2,4 (El.heater)



Drill Holes Ø10 in every board, outside.



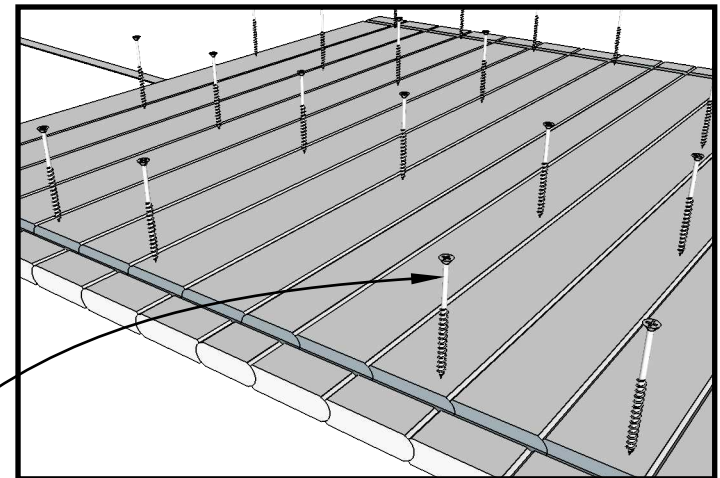
II



32x M

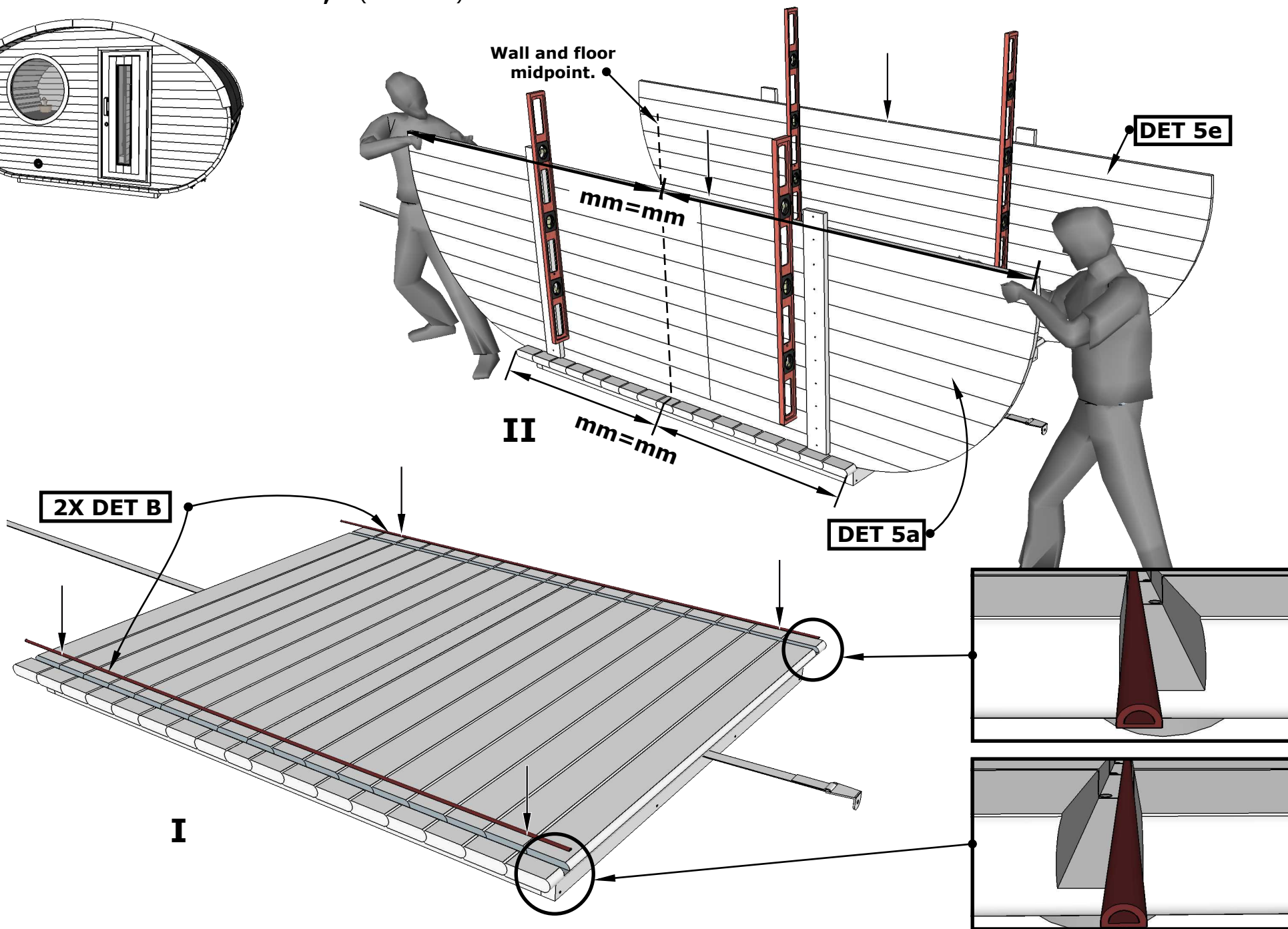
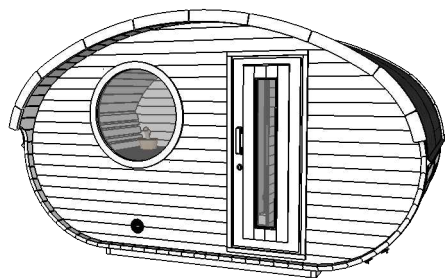
I

Fix screws over one board! Diagonally on every board!



3.

Oval Sauna "Hobbit" 4 x 2,4 (El.heater)

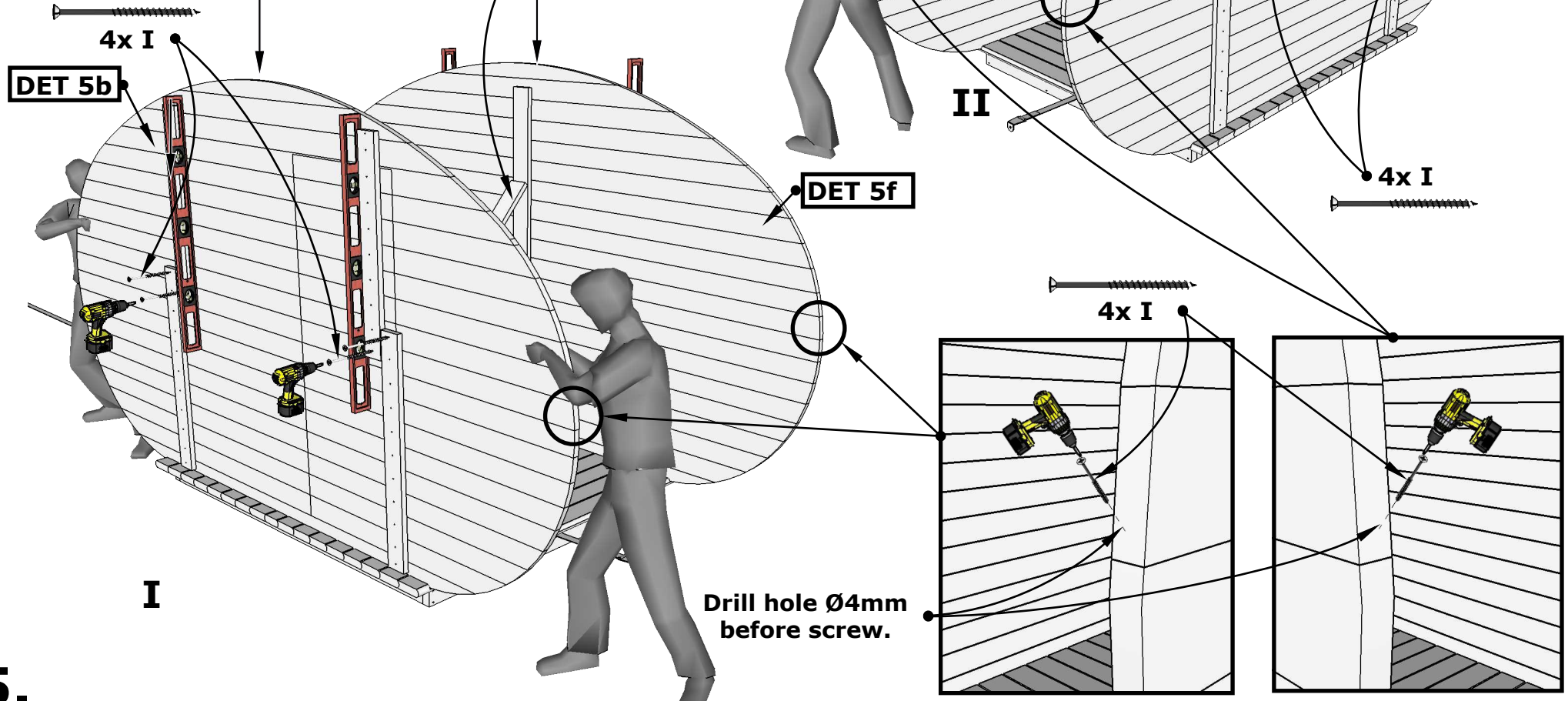


4.

Oval Sauna "Hobbit" 4 x 2,4 (El.heater)

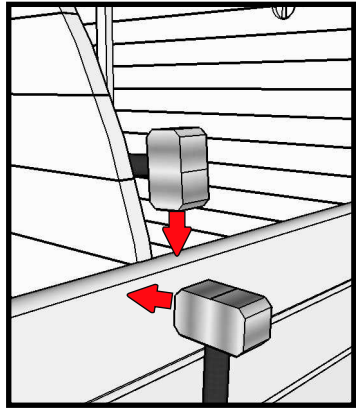


NB! Cut some boards from pallet, to support and fix walls if necessary!

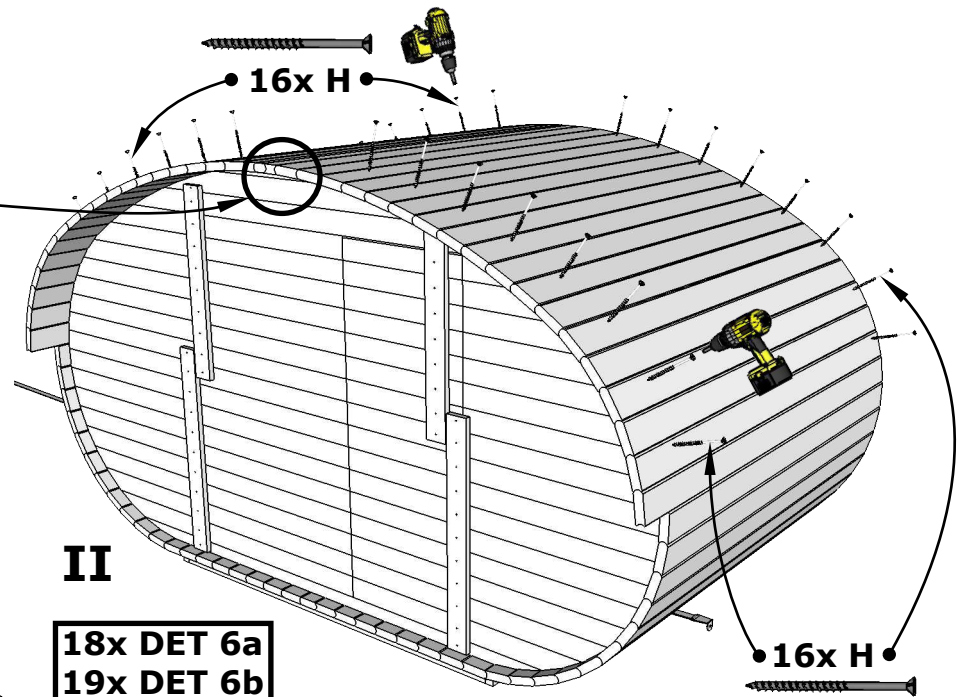
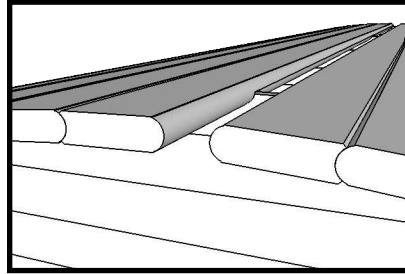


5.

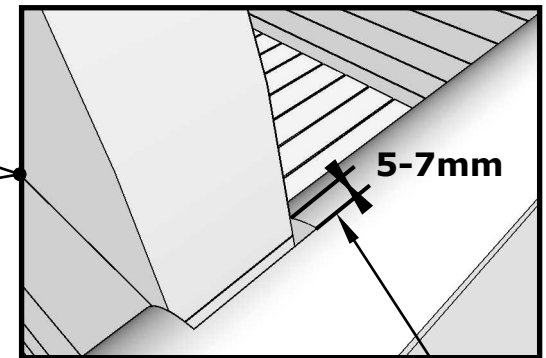
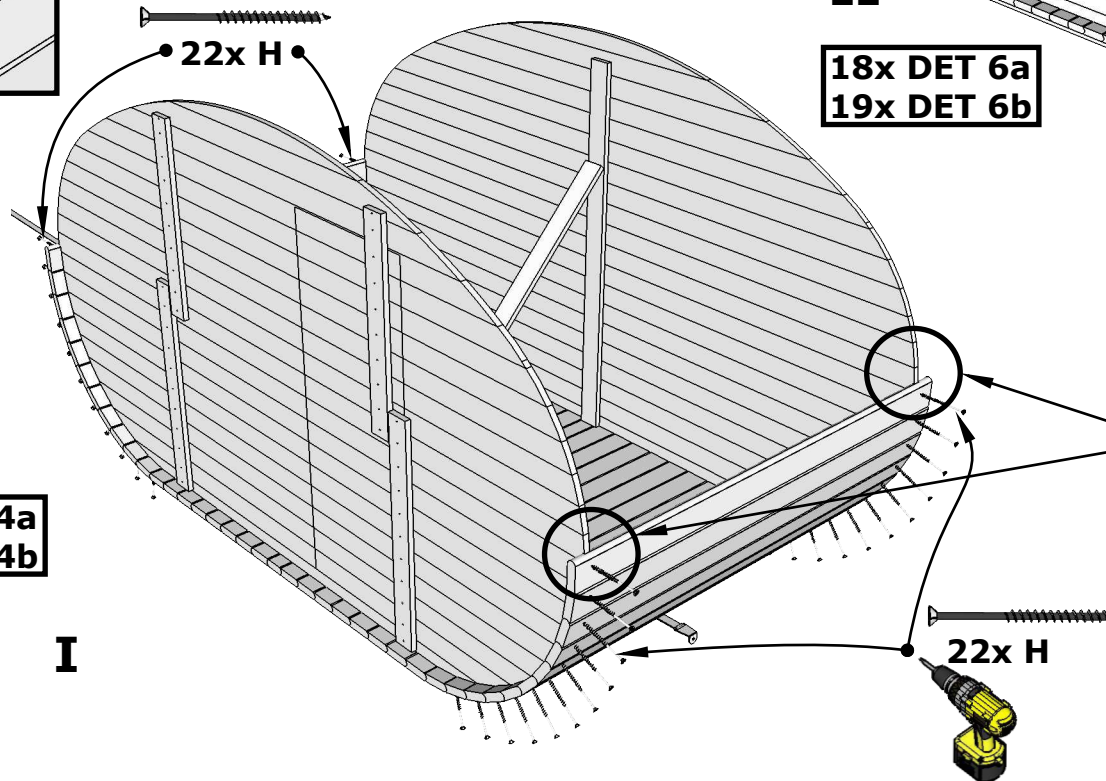
Oval Sauna "Hobbit" 4 x 2,4 (El.heater)



Watch Page 6A

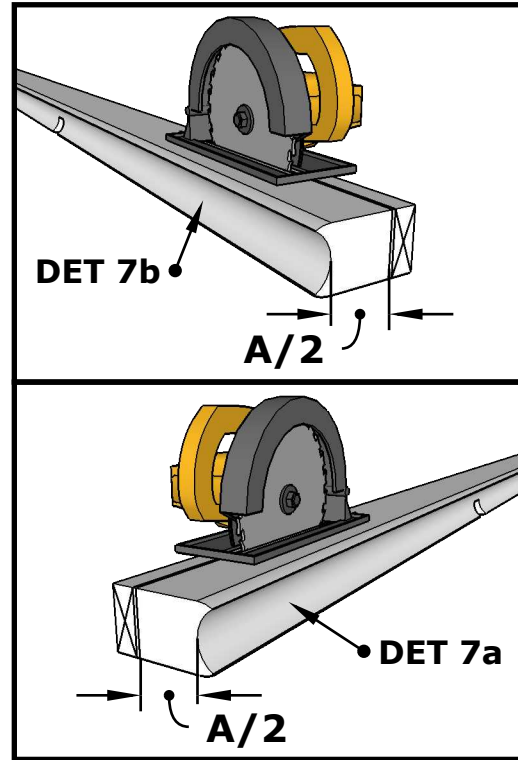


11x DET 4a
11x DET 4b

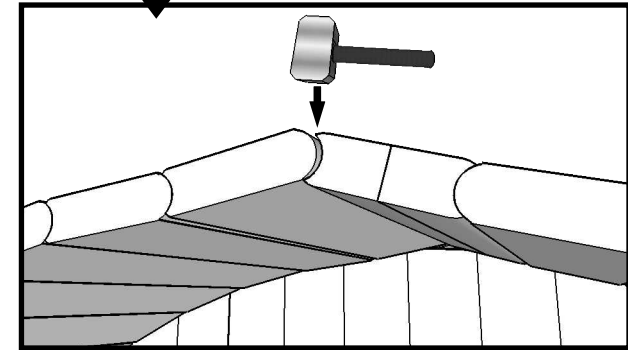
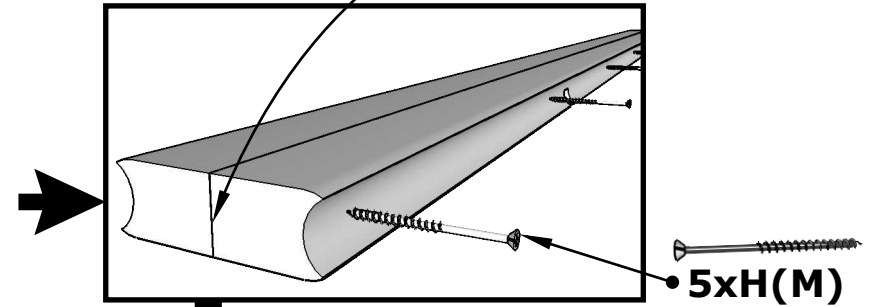


NB! Don` t leave space, if using thermal wood!!!

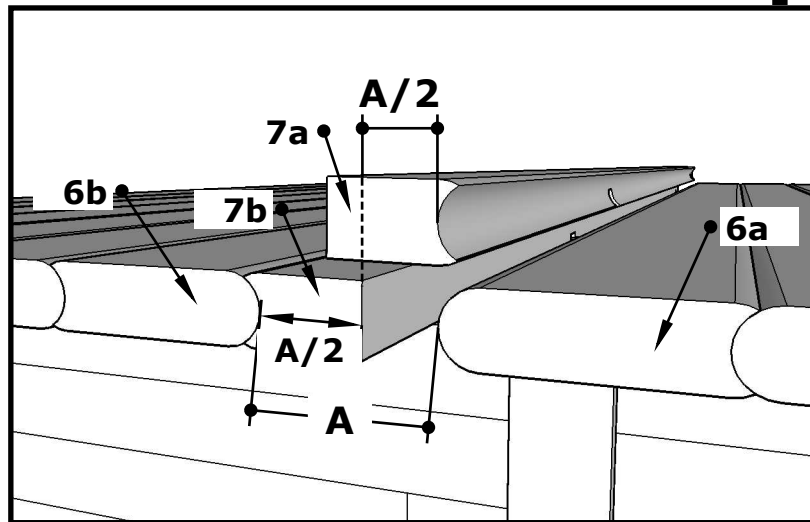
Oval Sauna "Hobbit" 4 x 2,4 (El.heater)



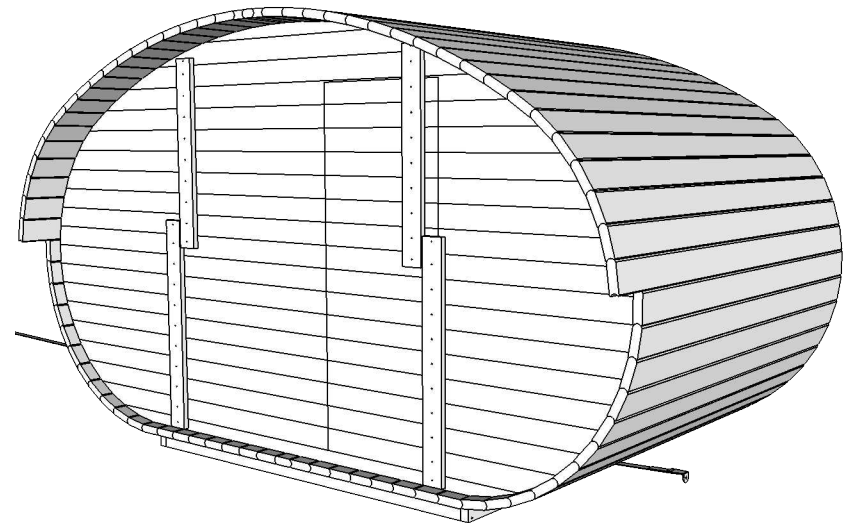
Use wood glue between boards.



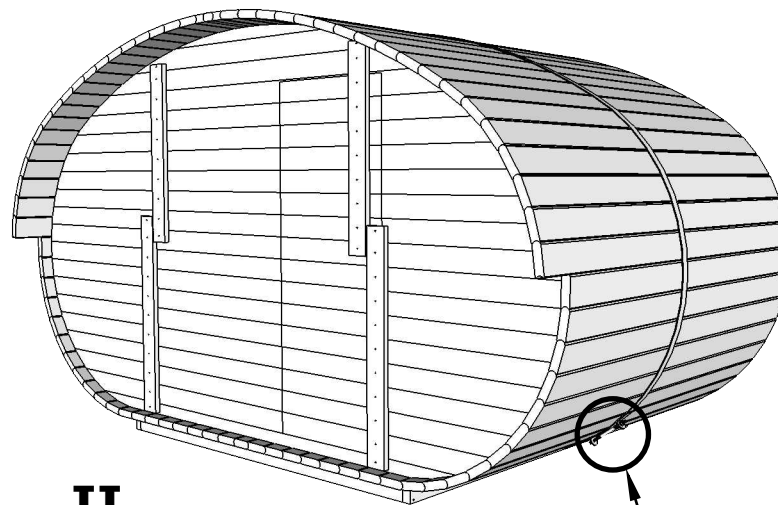
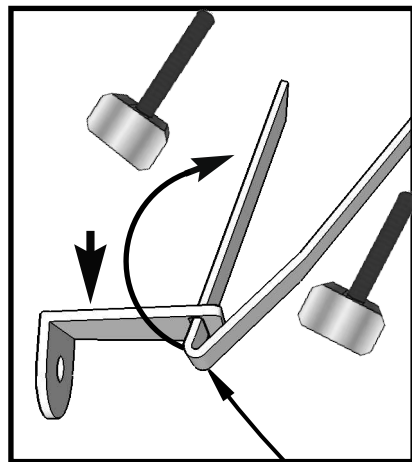
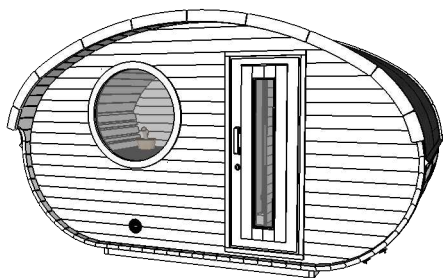
Important!!!



6A.

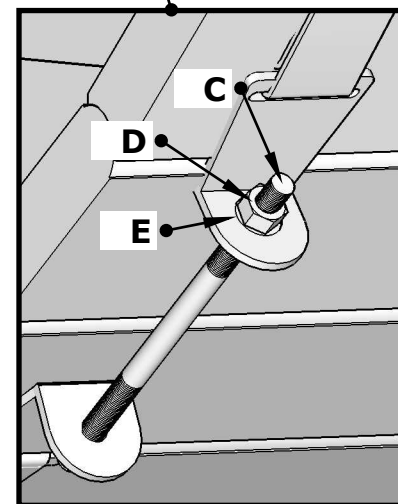


Oval Sauna "Hobbit" 4 x 2,4 (El.heater)

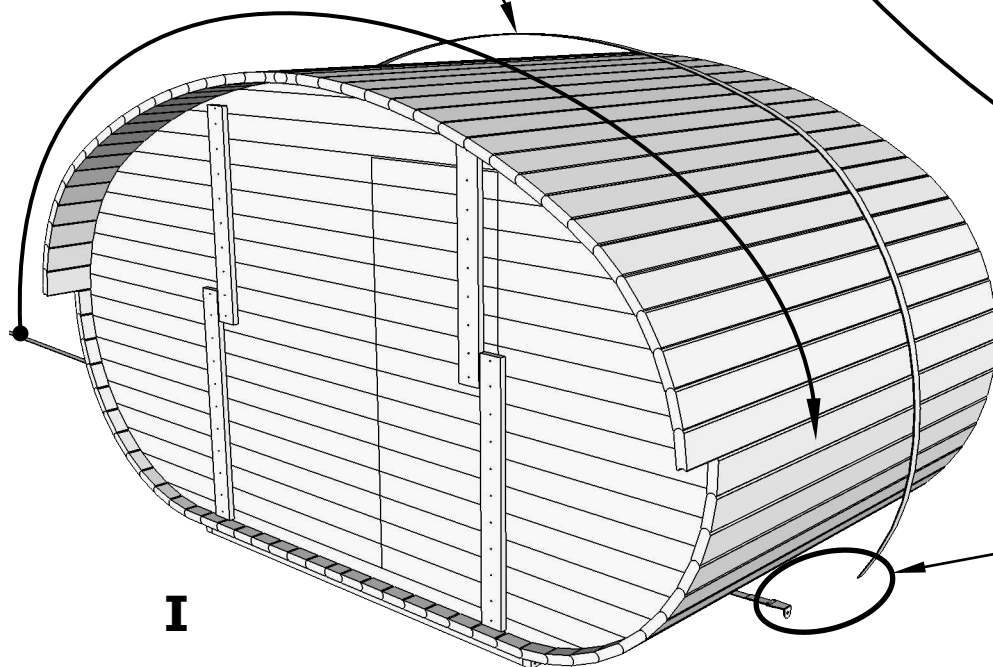


II

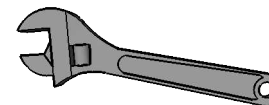
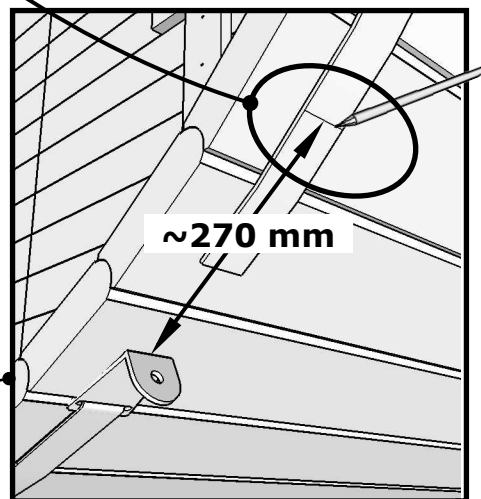
During assembly and retightening the threaded rods, use oil (Würth HPS 1400 or similar) to avoid "cold welding" and it is also easier tightening.



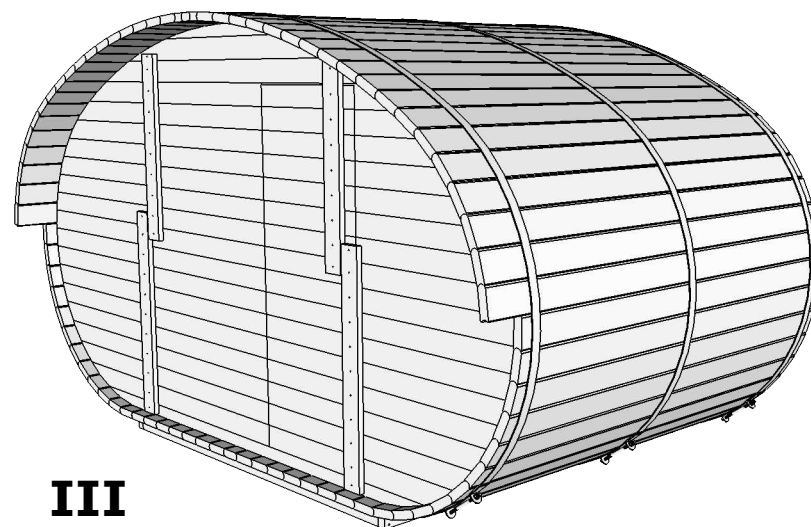
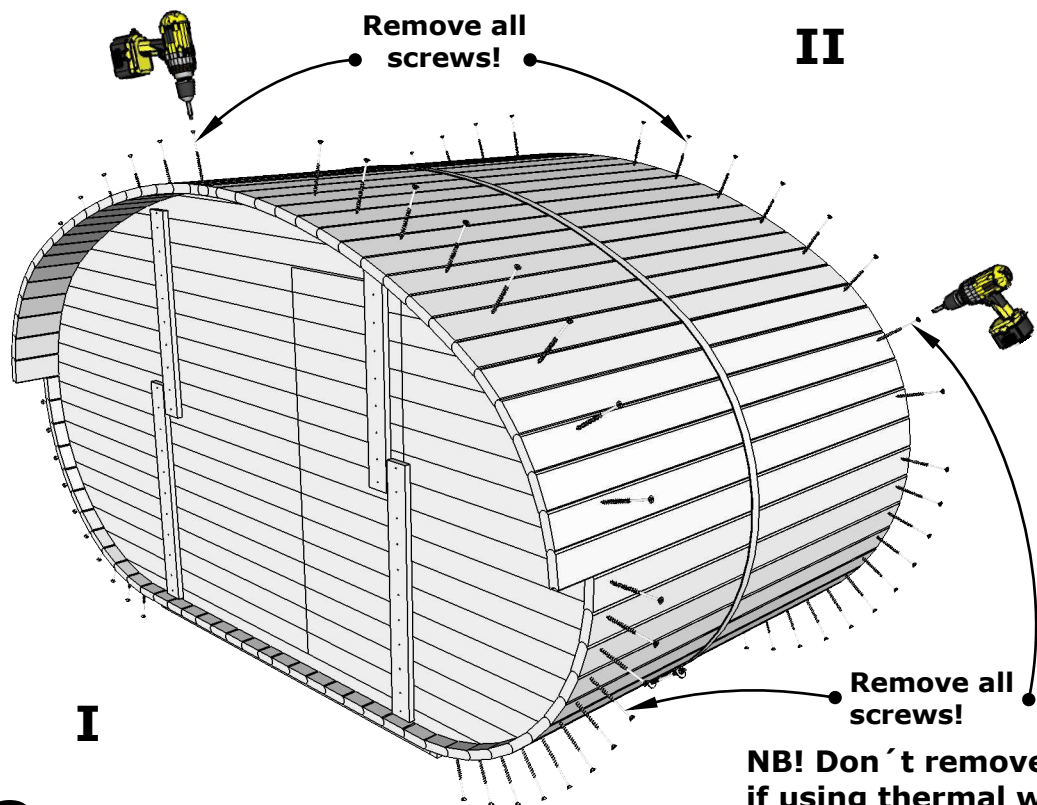
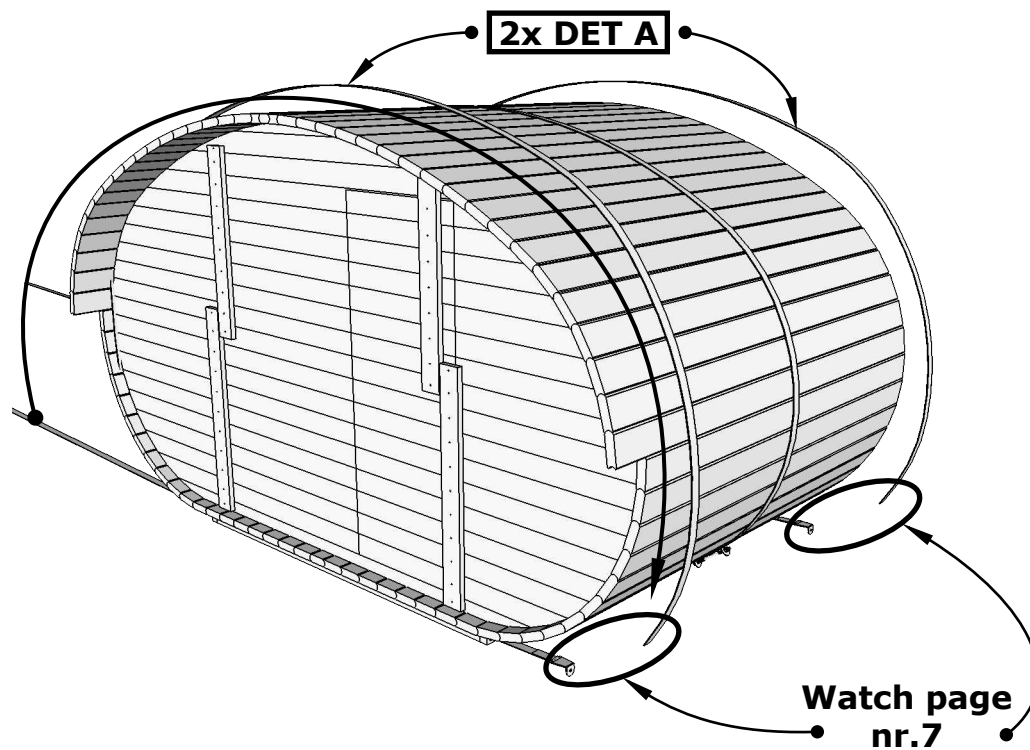
1x DET A



I



Oval Sauna "Hobbit" 4 x 2,4 (El.heater)



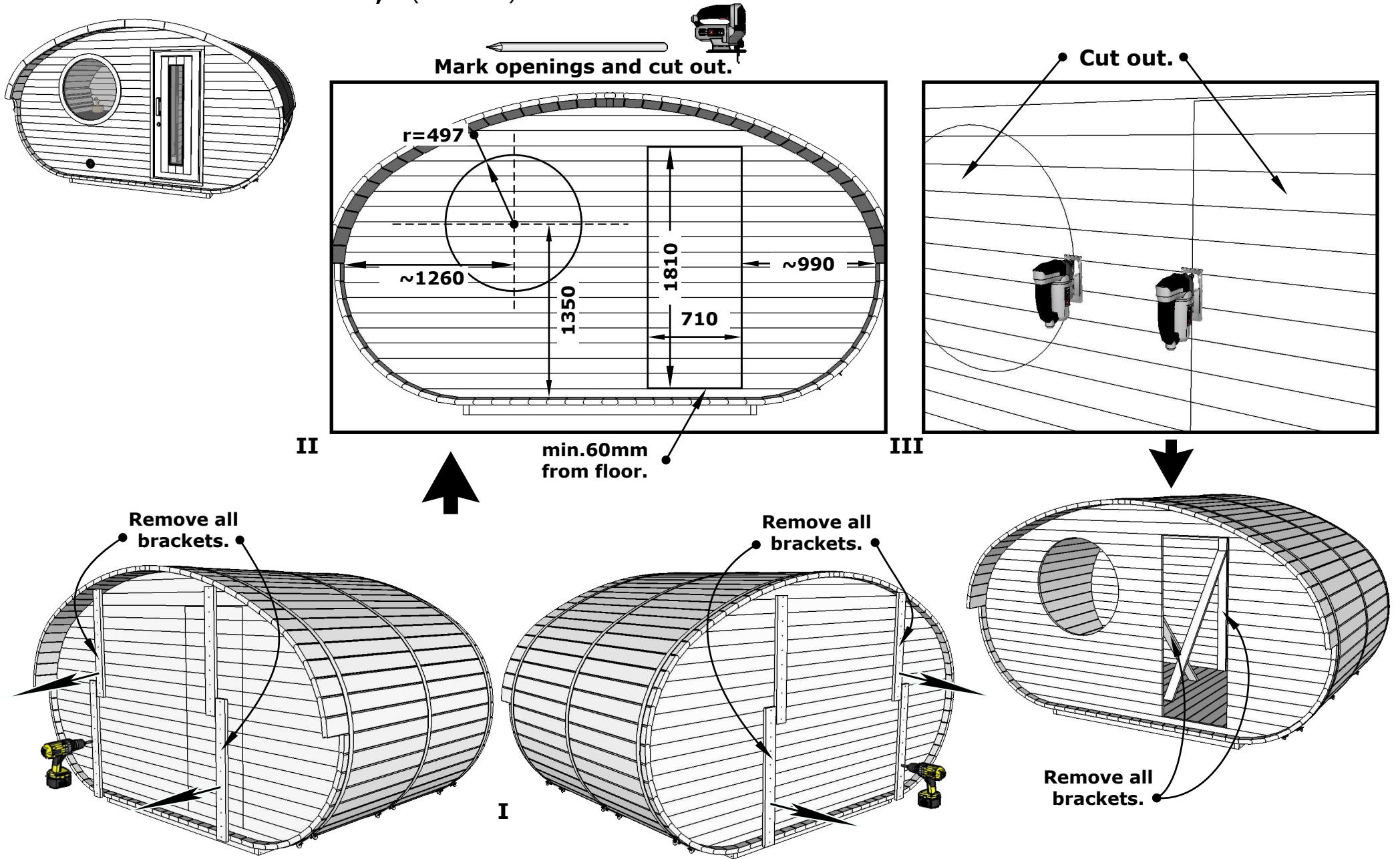
8.

I

II

III

Oval Sauna "Hobbit" 4 x 2,4 (El.heater)



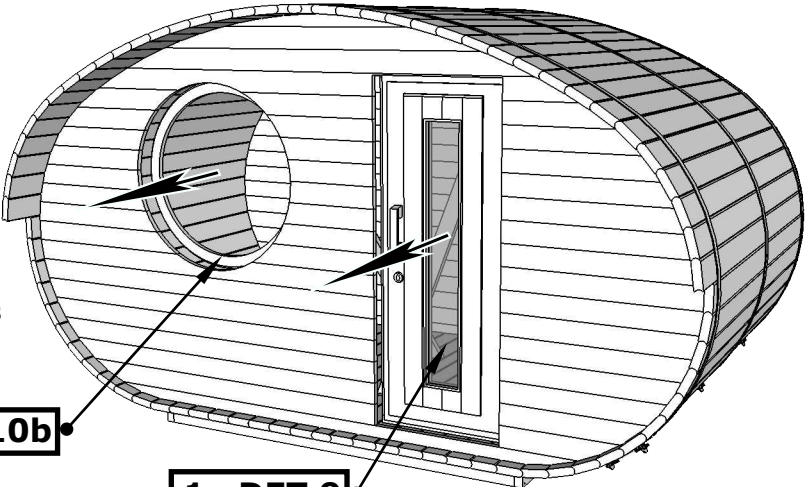
Oval Sauna "Hobbit" 4 x 2,4 (El.heater)



Use waterlevel for installation.
Place doors and windows from inside.

NB! Vertically fix screw in every board.

1x DET 10a

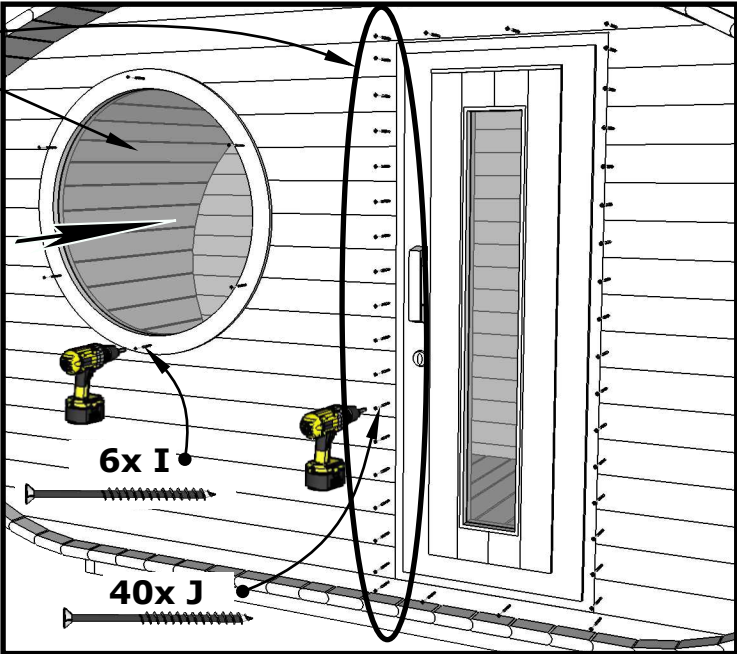


1x DET 10b

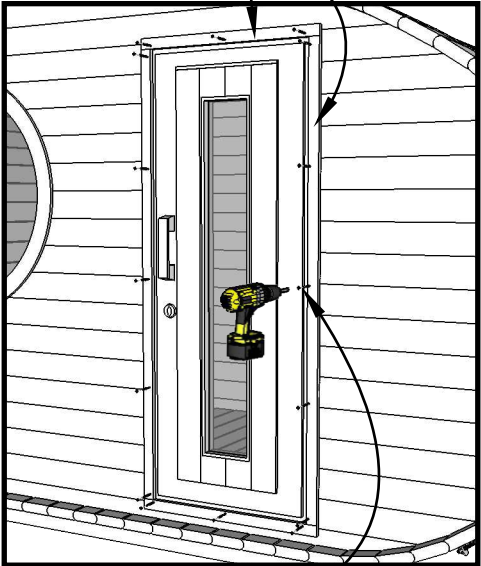
I

1x DET 9

II



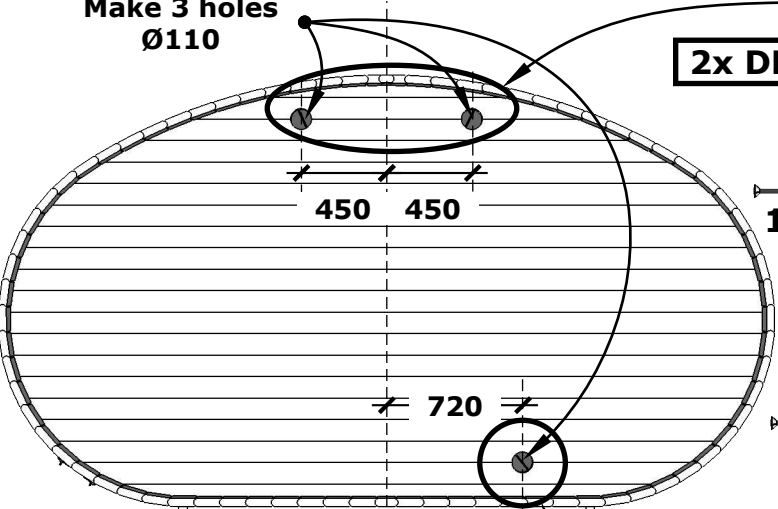
2x DET 9a
2x DET 9b



III

16x J

Make 3 holes
Ø110



IV

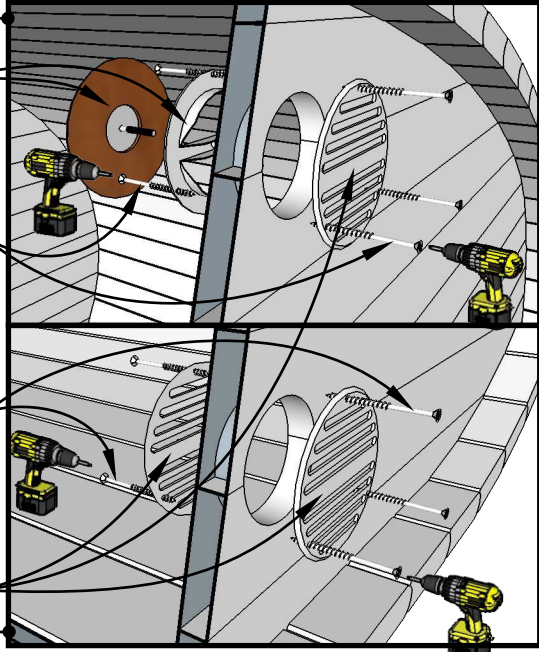
Sauna midpoint

2x DET F

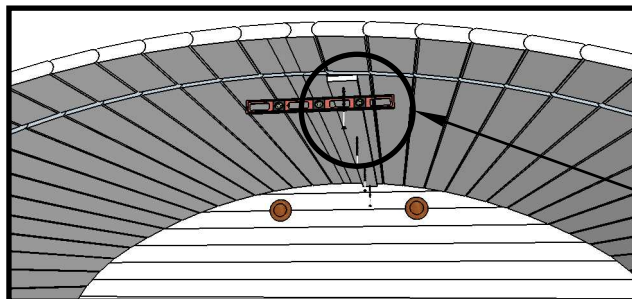
12x K

6x K

4x DET G

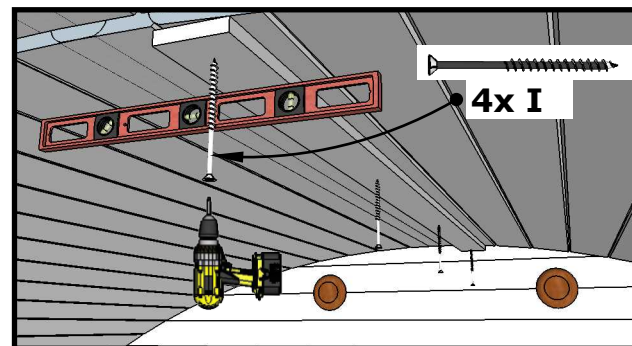
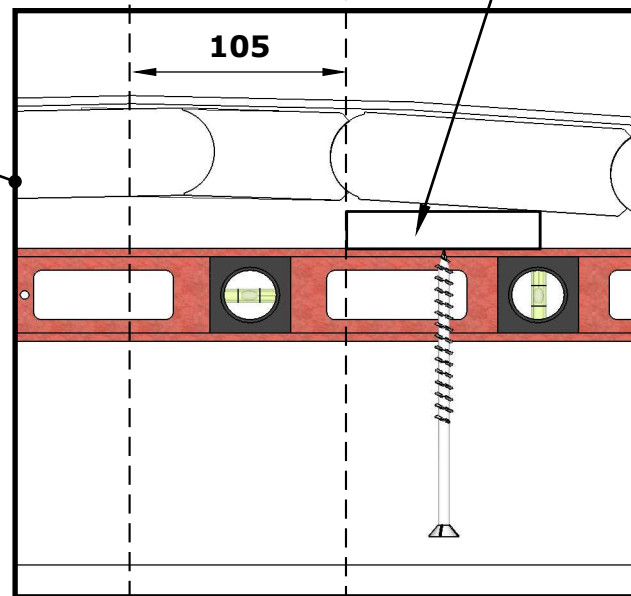


Oval Sauna "Hobbit" 4 x 2,4 (El.heater)



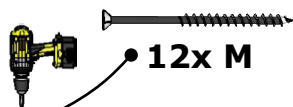
Sauna midpoint

1x DET 11

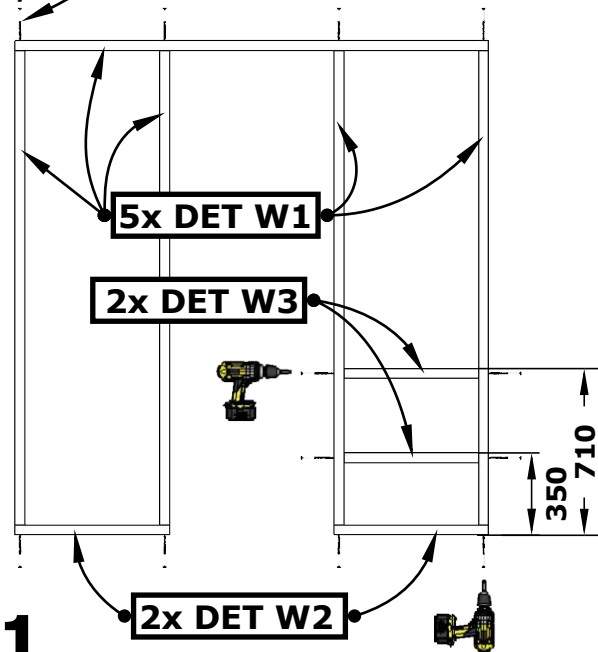


4x I

I

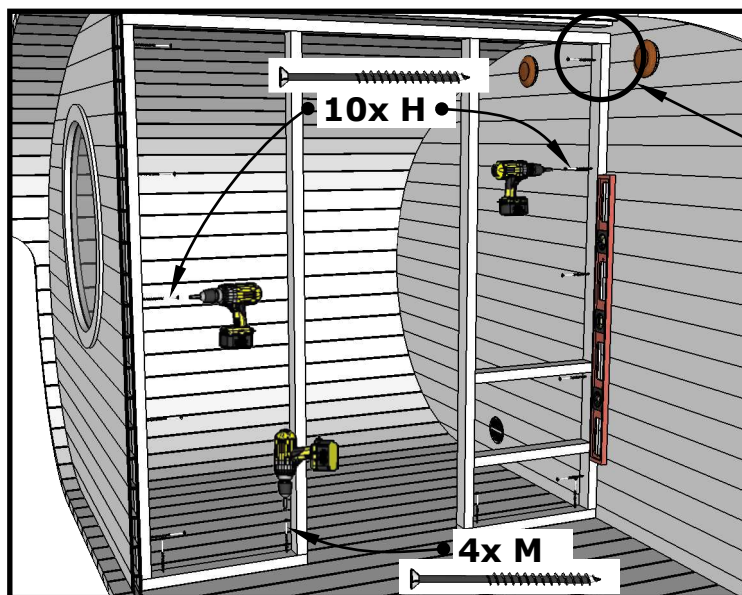


12x M



II

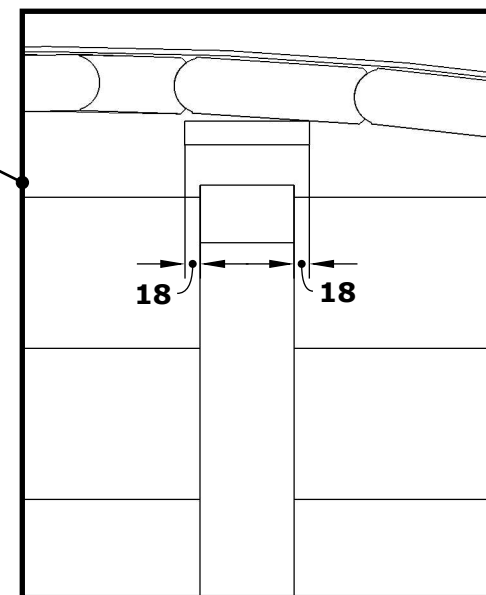
11.



10x H

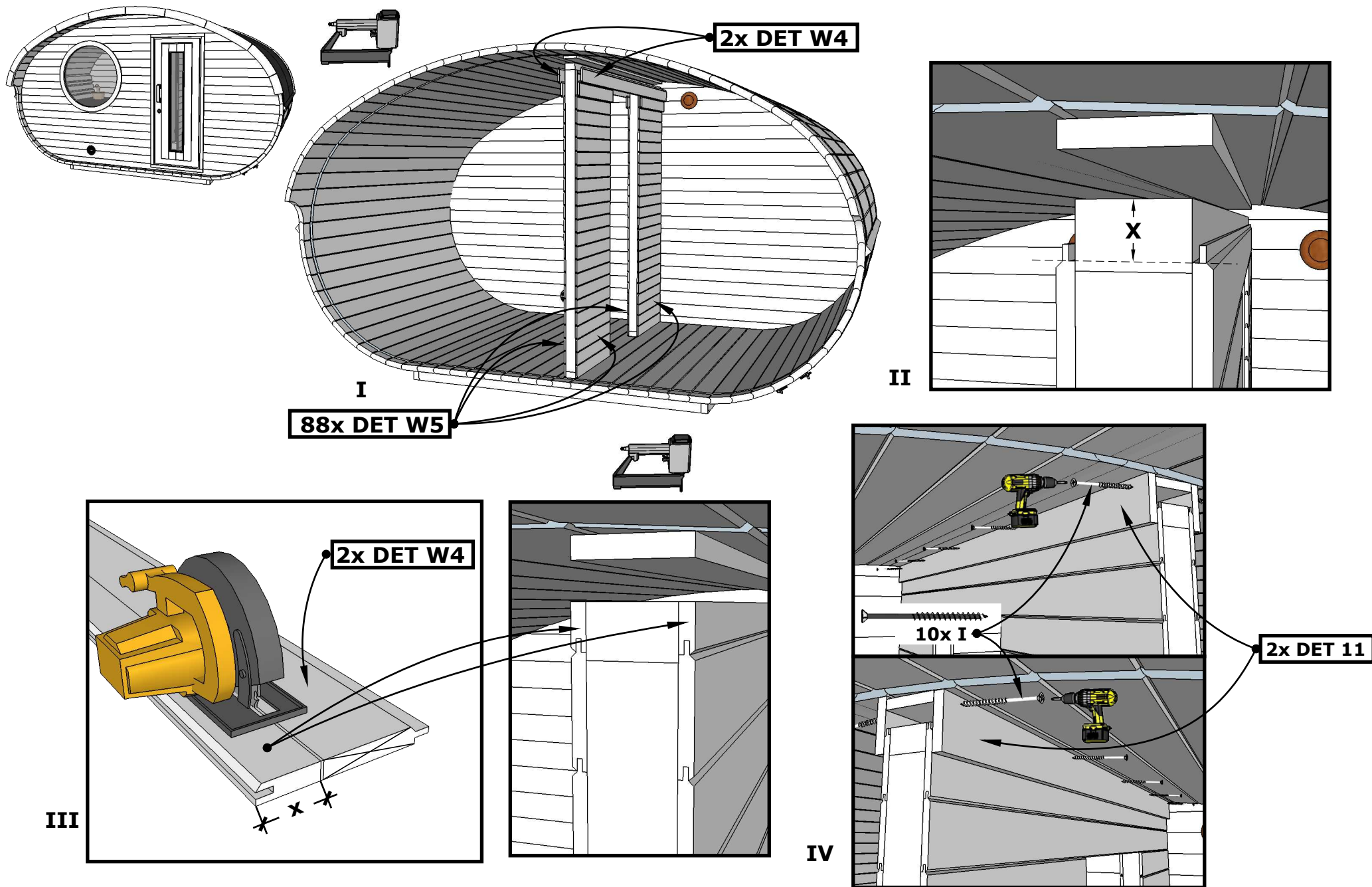
4x M

III

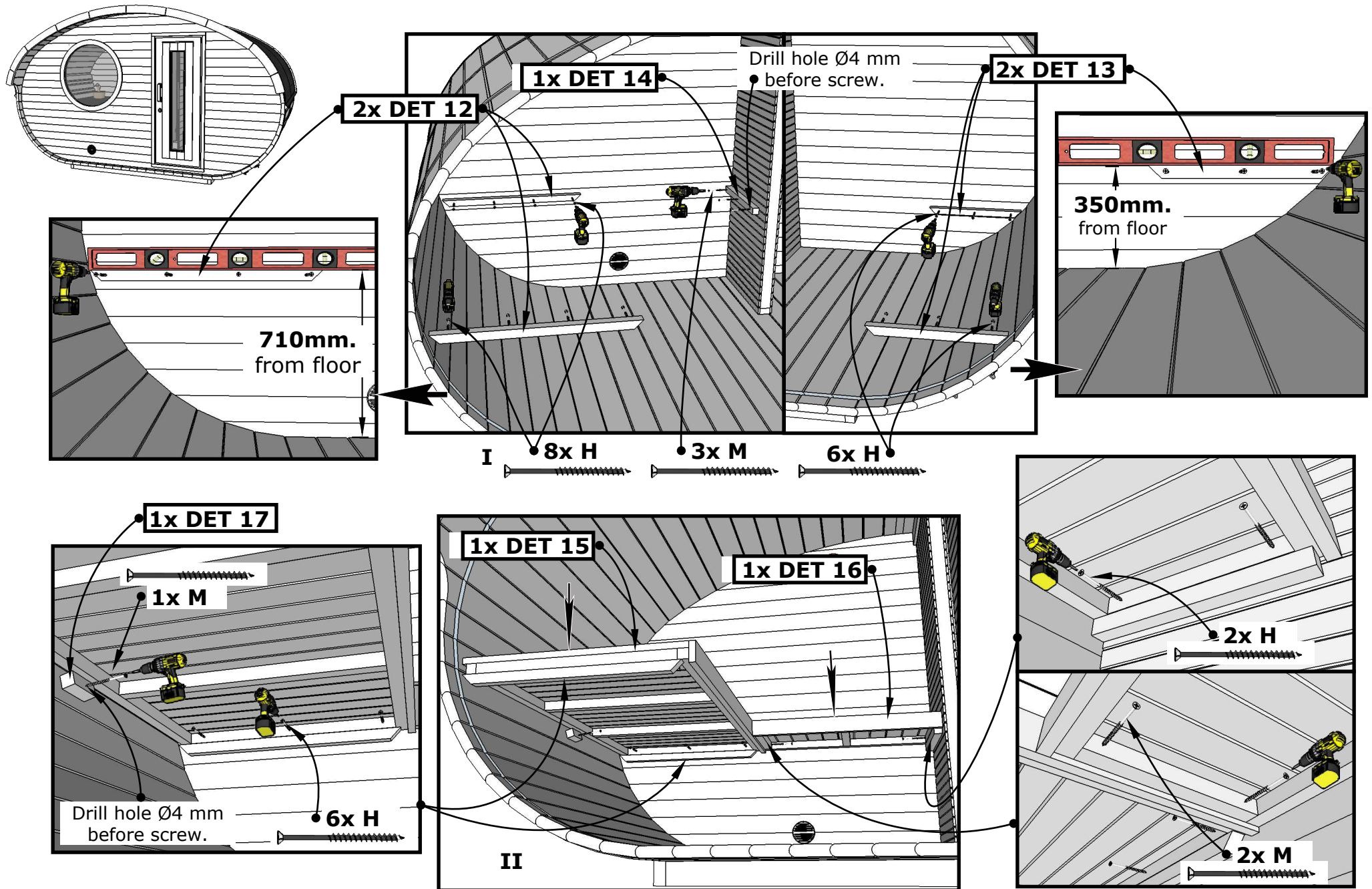


IV

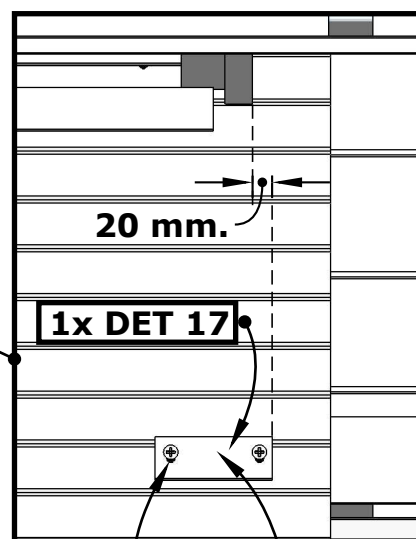
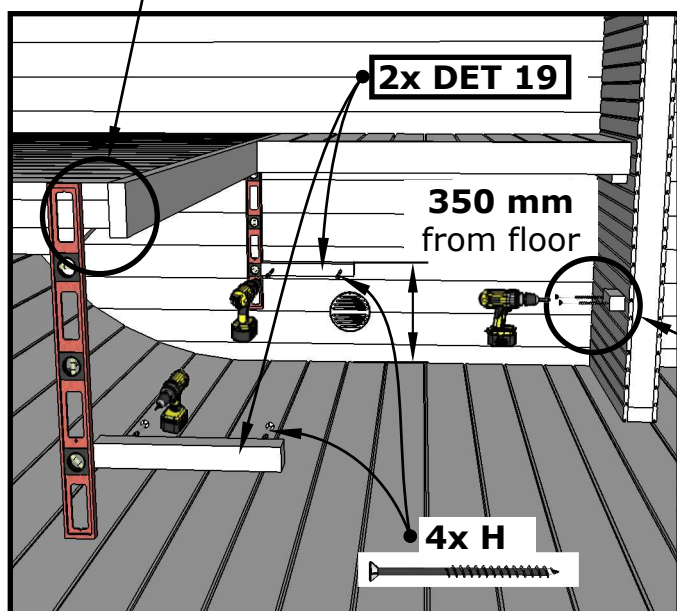
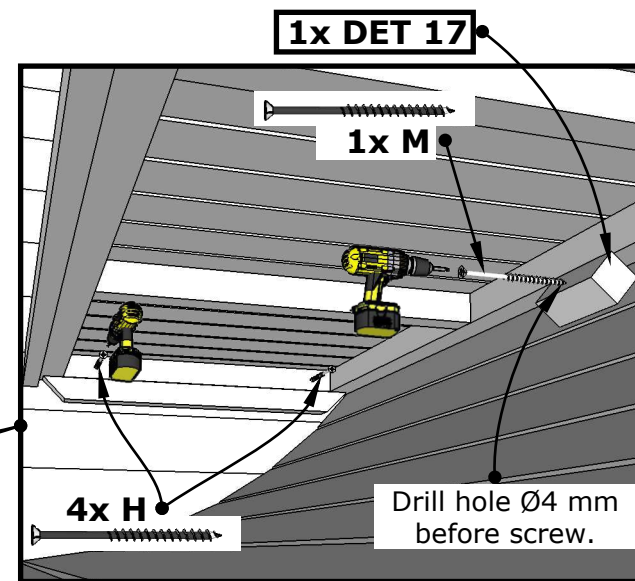
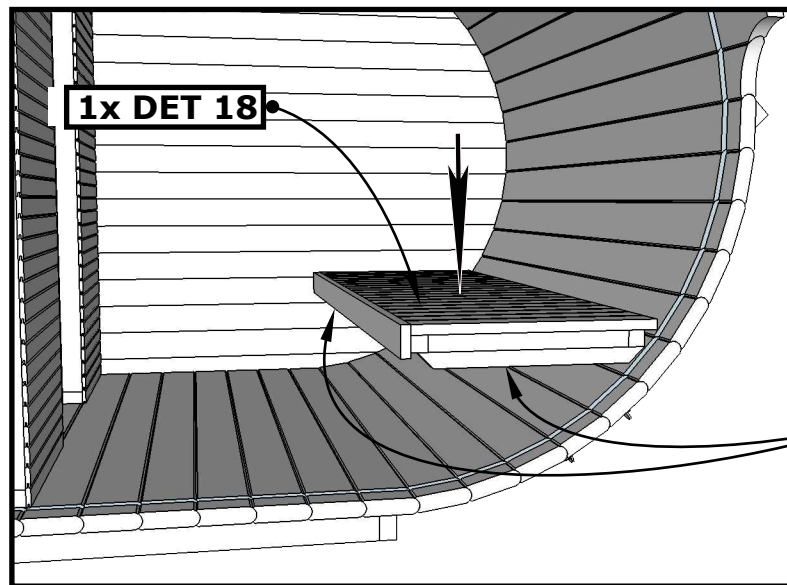
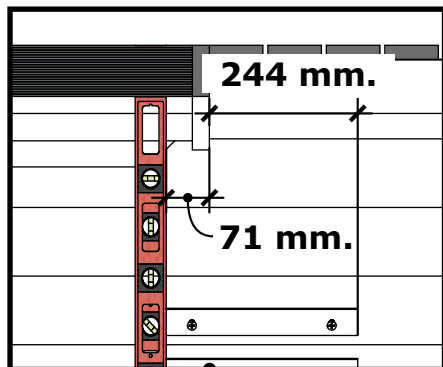
Oval Sauna "Hobbit" 4 x 2,4 (El.heater)



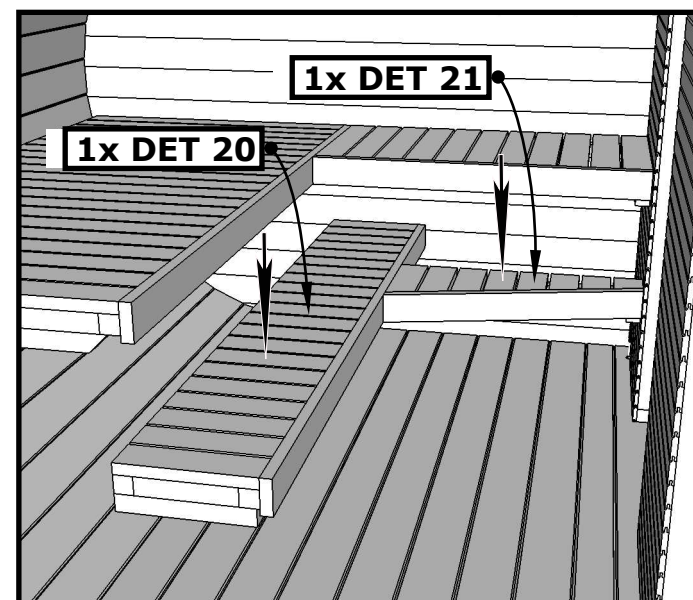
Oval Sauna "Hobbit" 4 x 2,4 (El.heater)



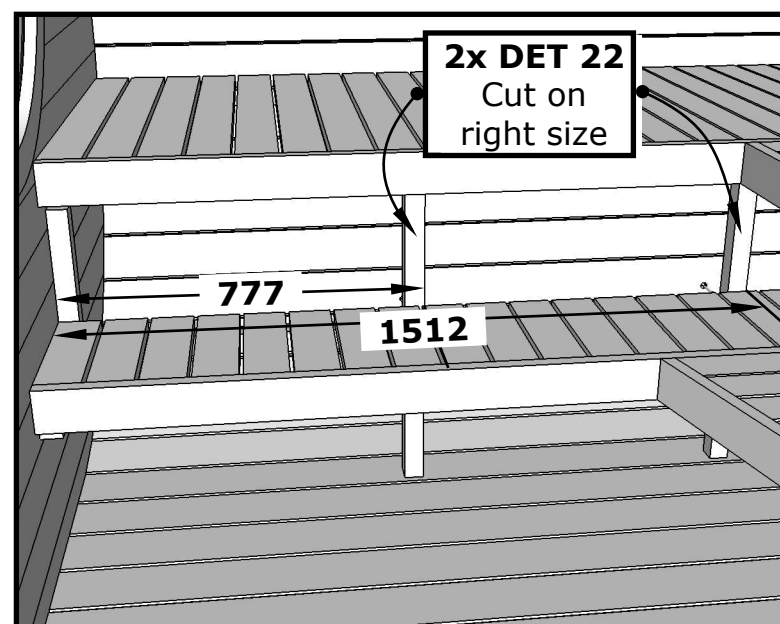
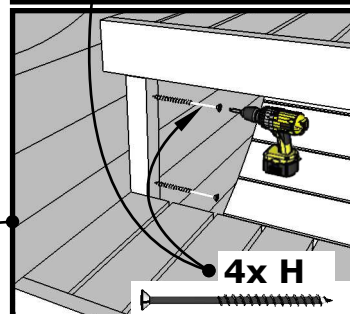
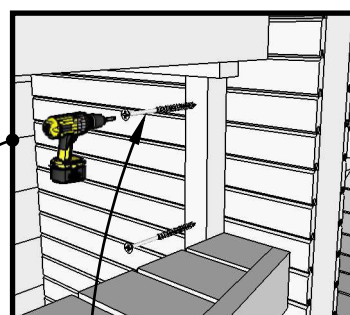
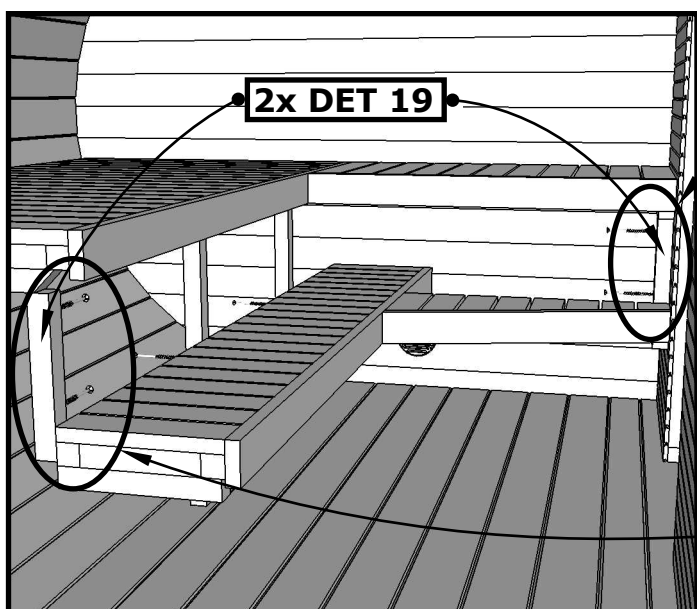
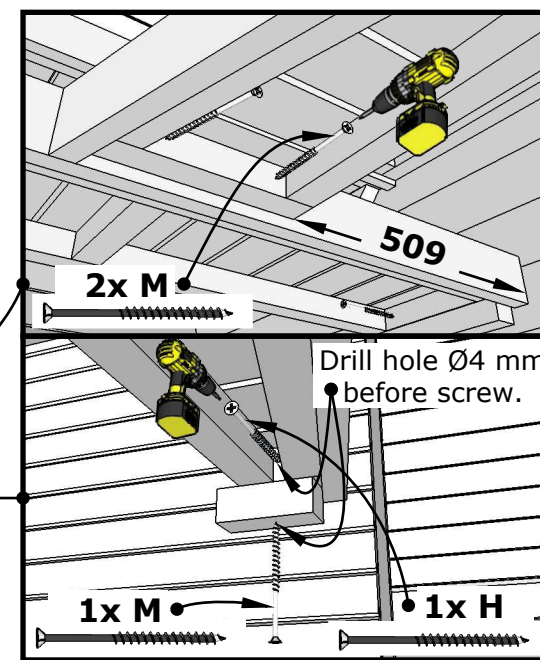
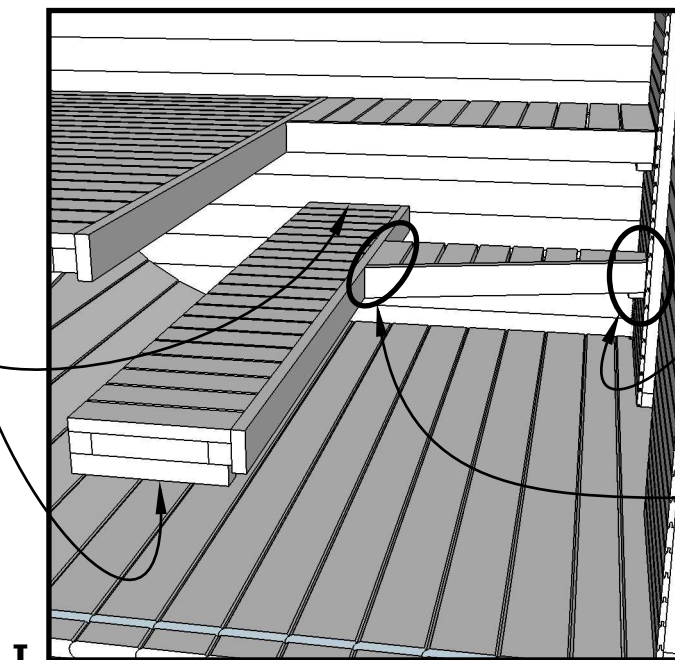
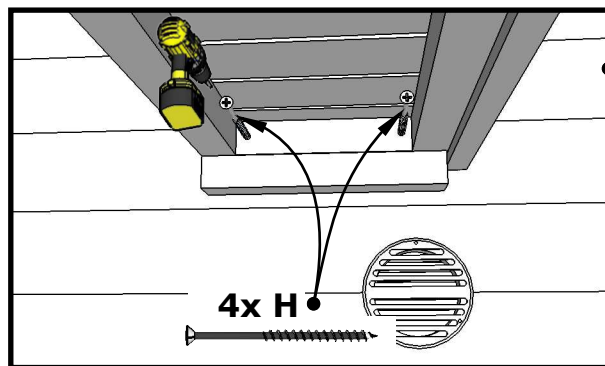
Oval Sauna "Hobbit" 4 x 2,4 (El.heater)



Drill hole Ø4 mm before screw. 2x M



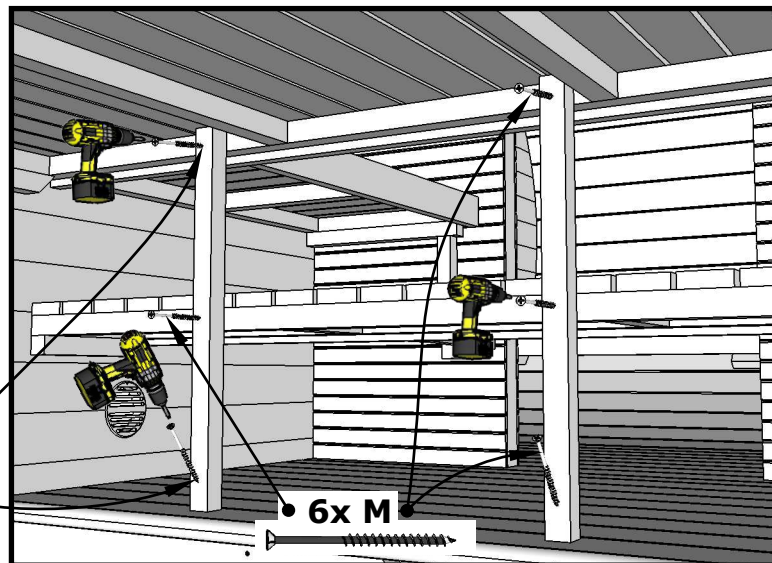
Oval Sauna "Hobbit" 4 x 2,4 (El.heater)



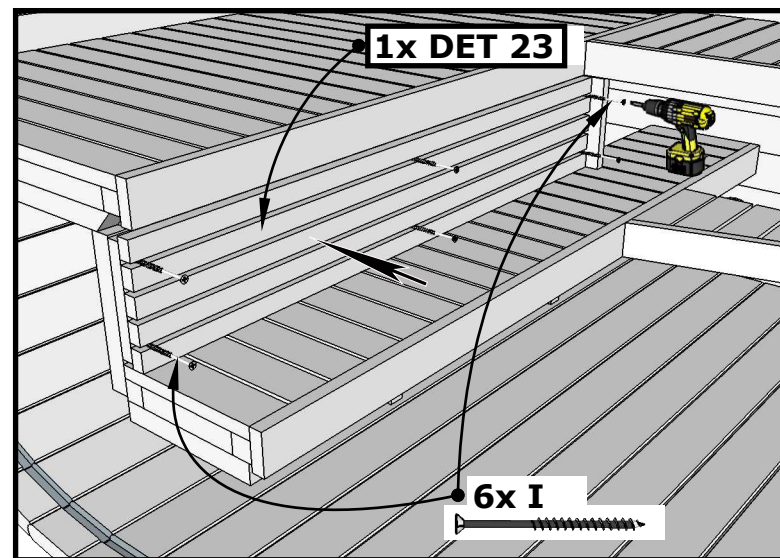
Oval Sauna "Hobbit" 4 x 2,4 (El.heater)



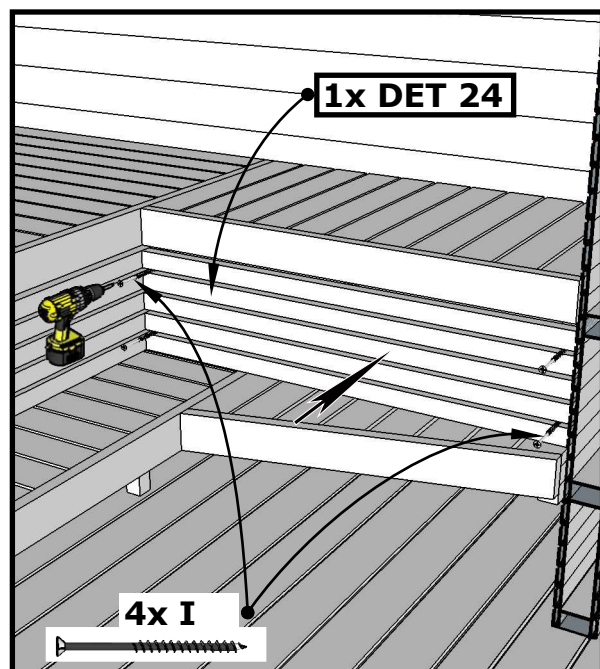
Drill hole Ø4 mm before screw.



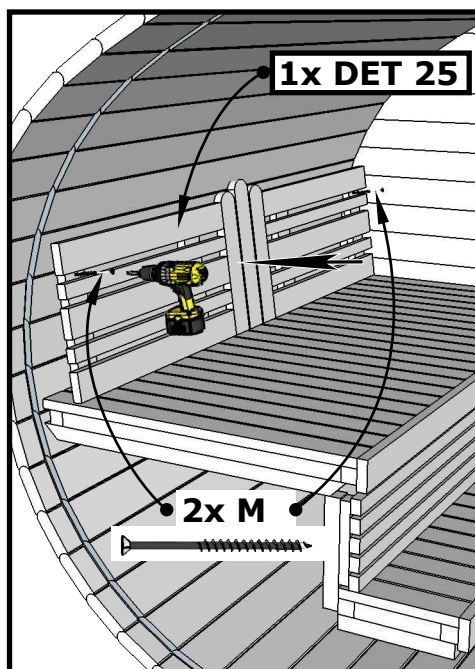
I



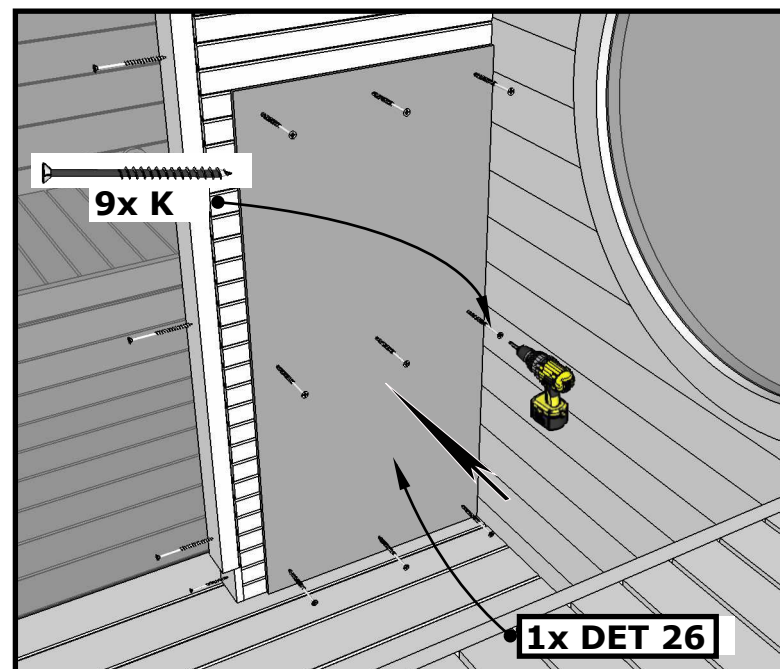
II



III

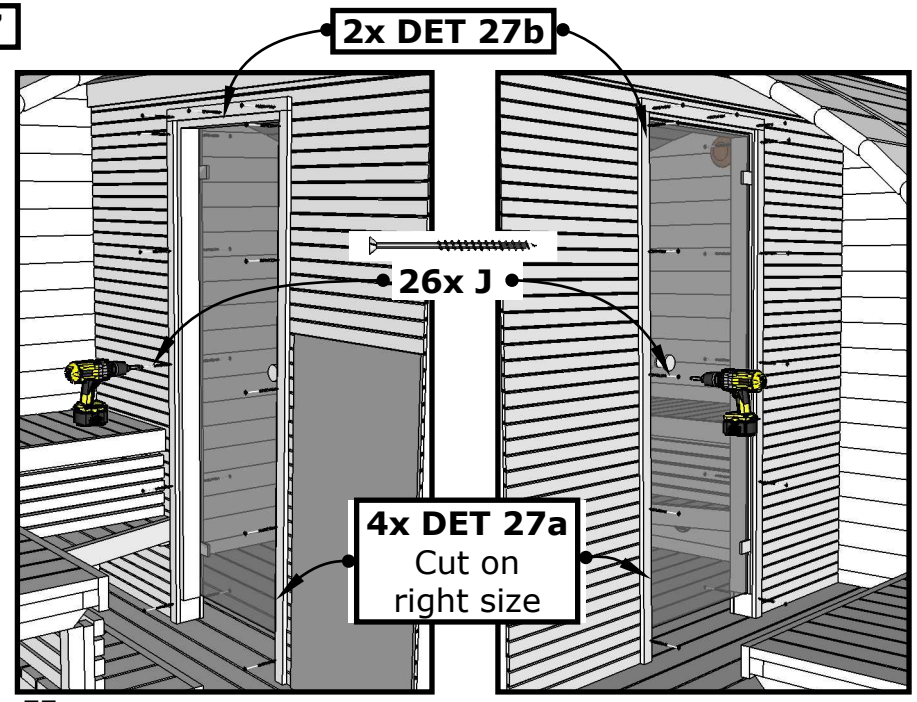
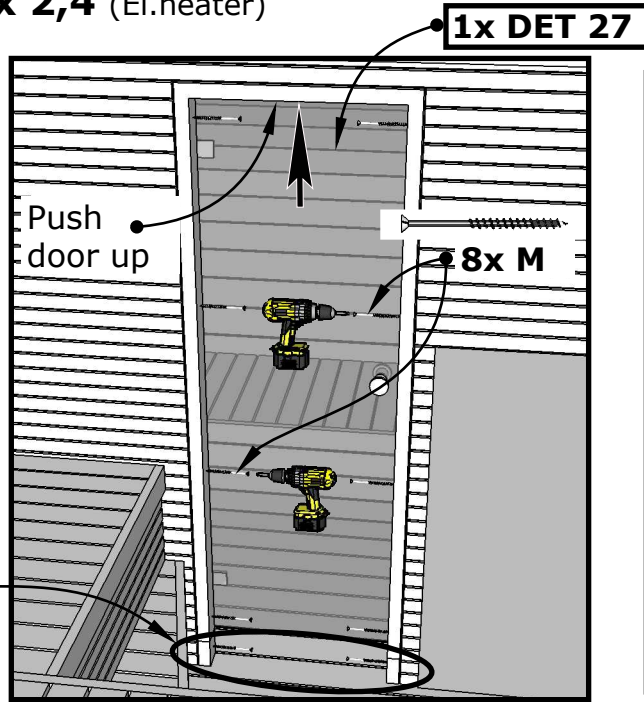
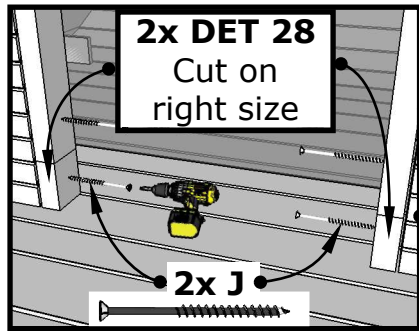


IV



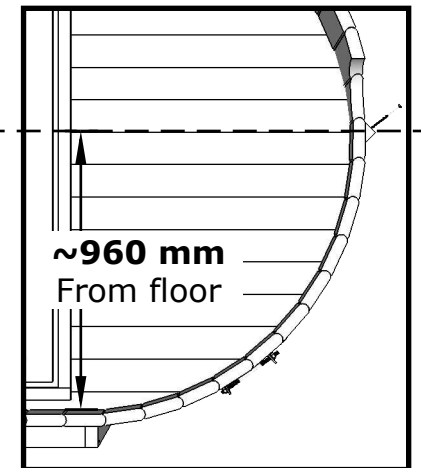
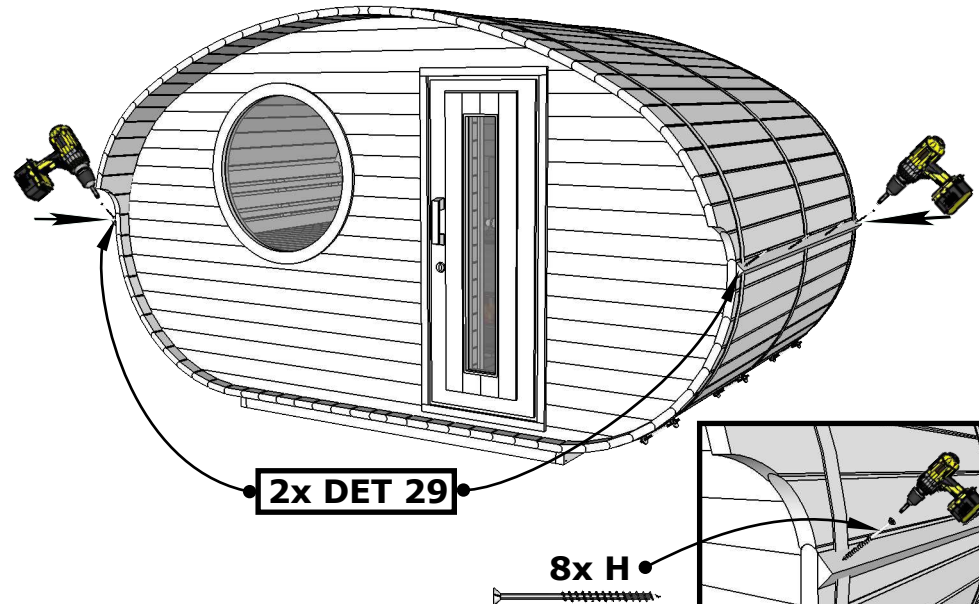
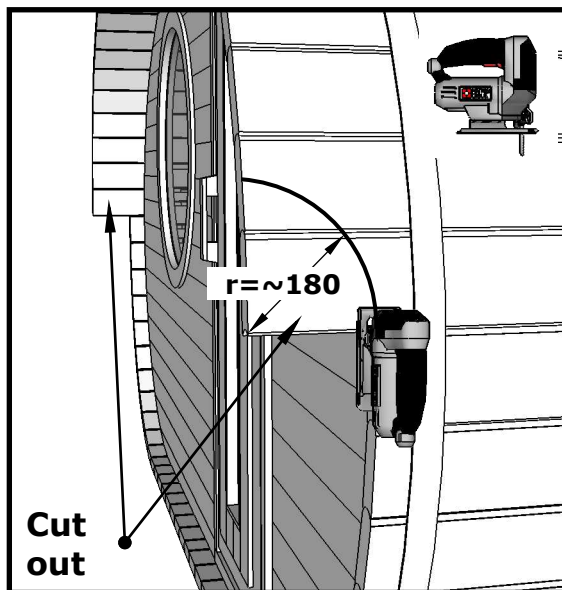
V

Oval Sauna "Hobbit" 4 x 2,4 (El.heater)



I

II

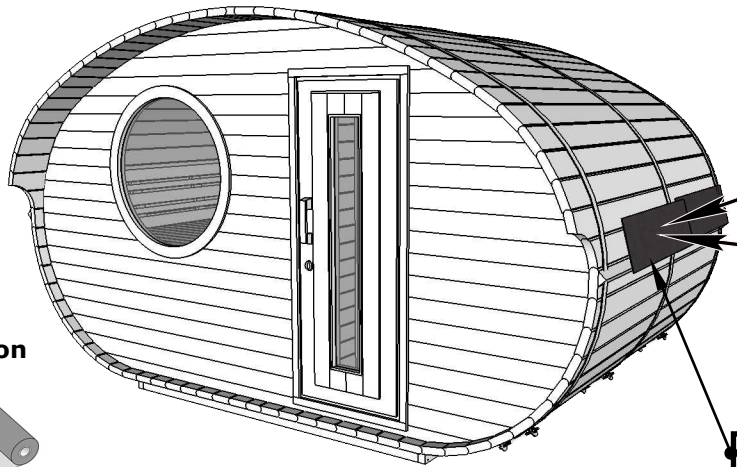


III

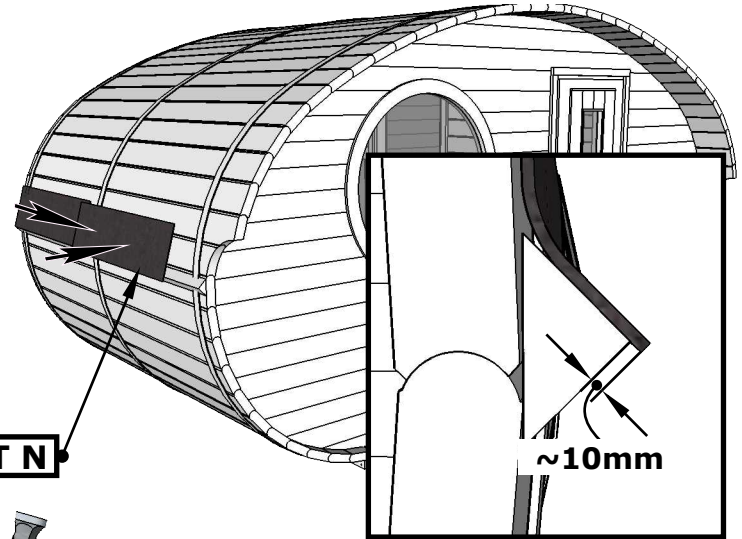
Oval Sauna "Hobbit" 4 x 2,4 (El.heater)



NB! Before roof shingles, install underlay felt. Check underlay felt installation manual on extra pages.



DET N

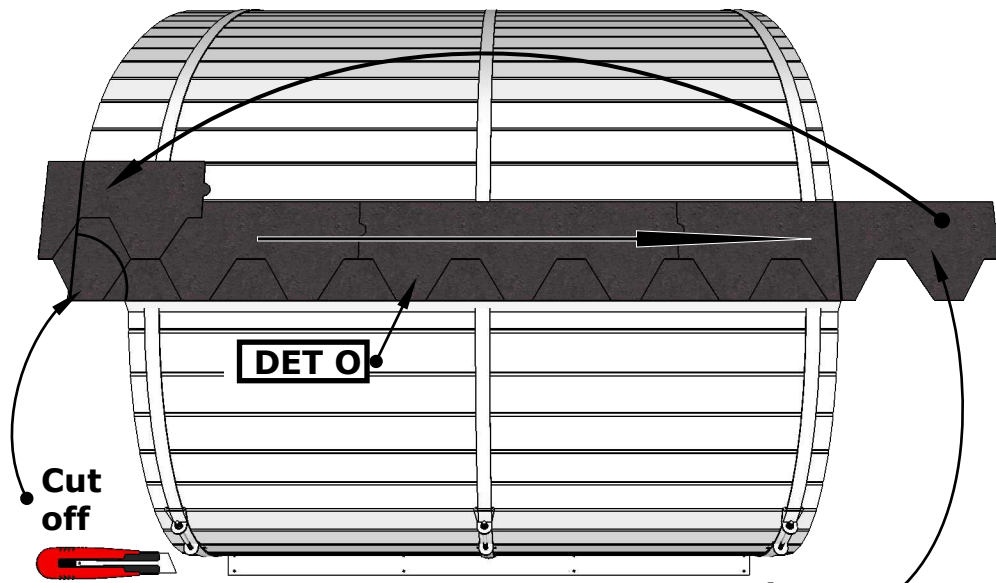


I



Check also roof shingles installation manual inside package.

Check also roof shingles installation manual inside package.



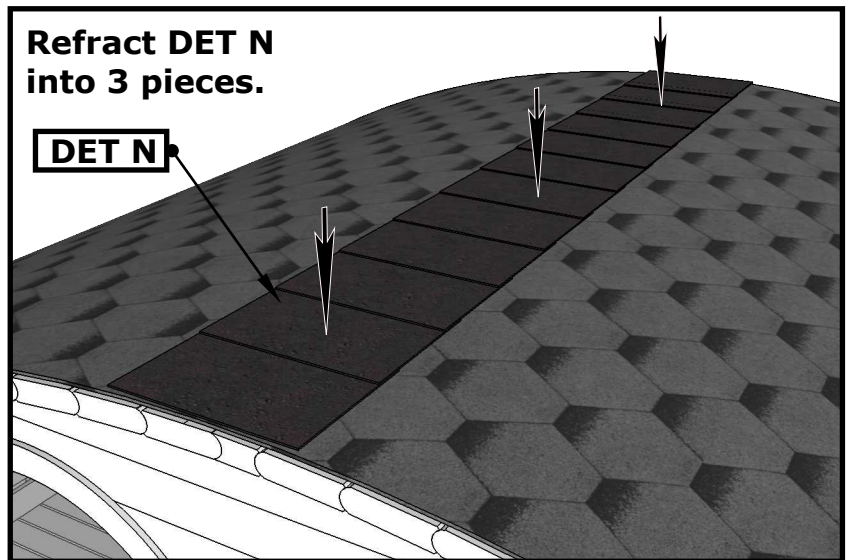
DET O

Cut off

II



Cut and use it other end.

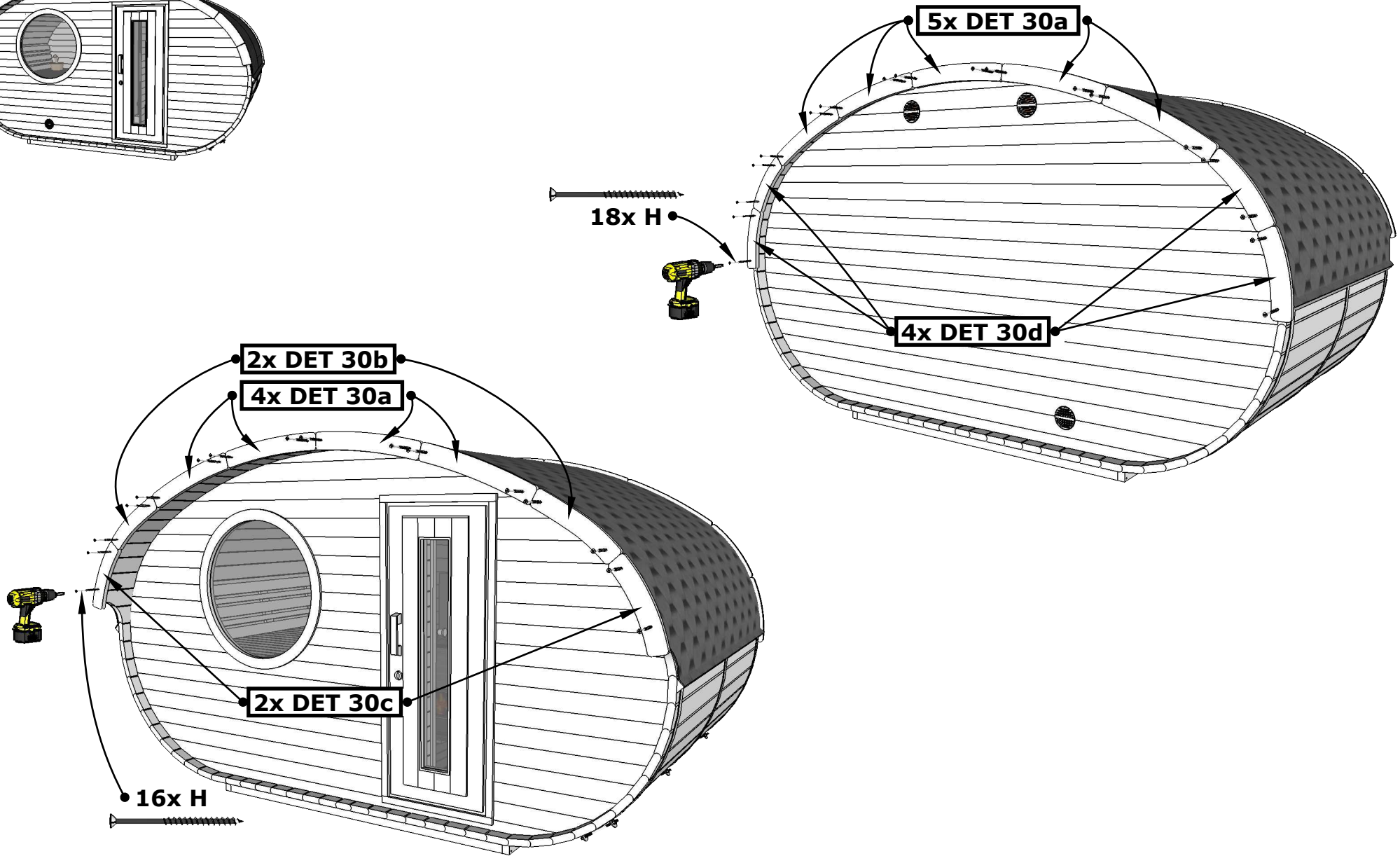


Refract DET N into 3 pieces.

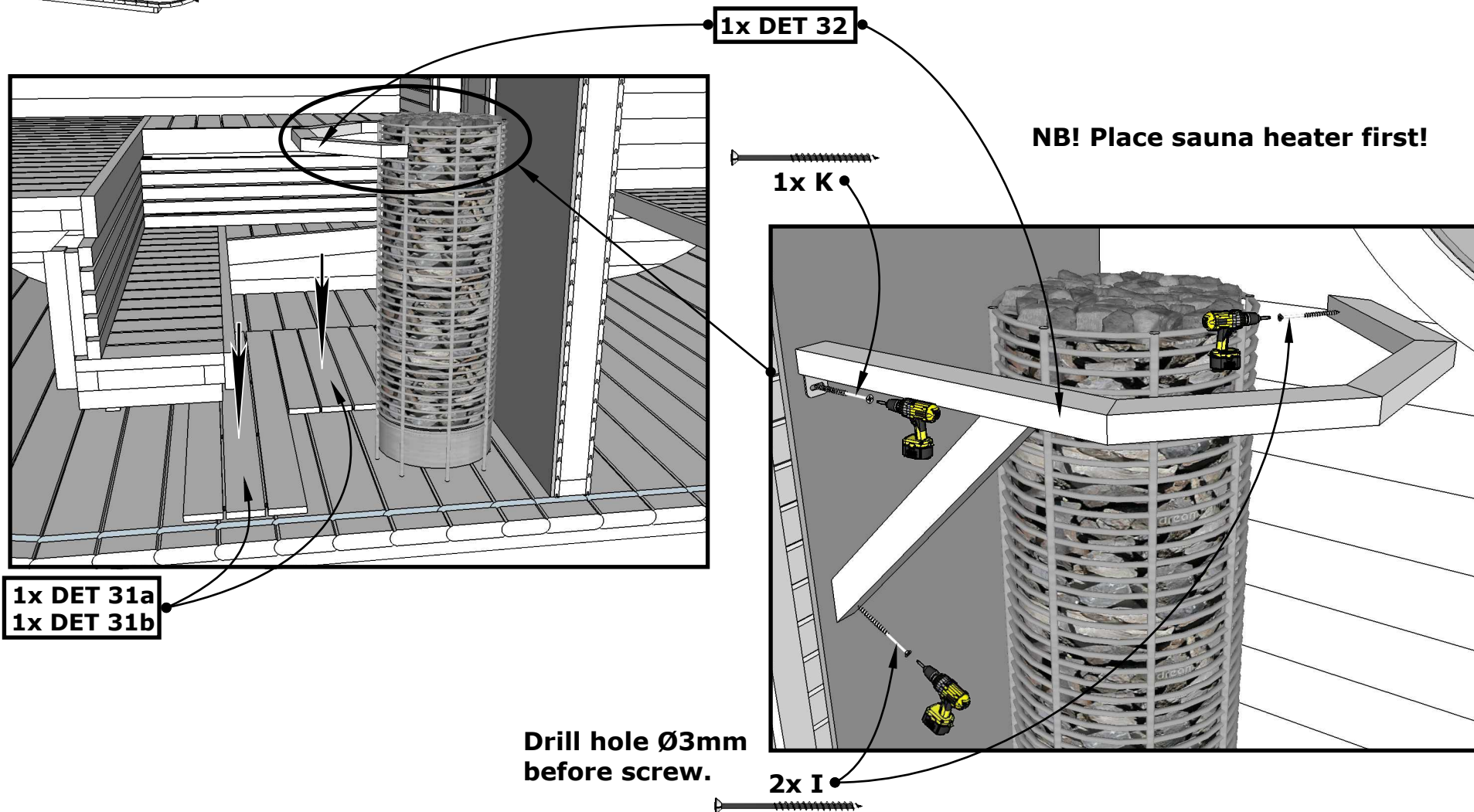
DET N

III

Oval Sauna "Hobbit" 4 x 2,4 (El.heater)



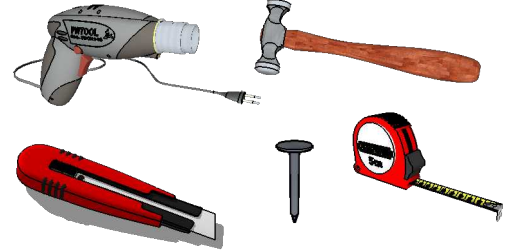
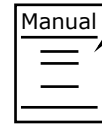
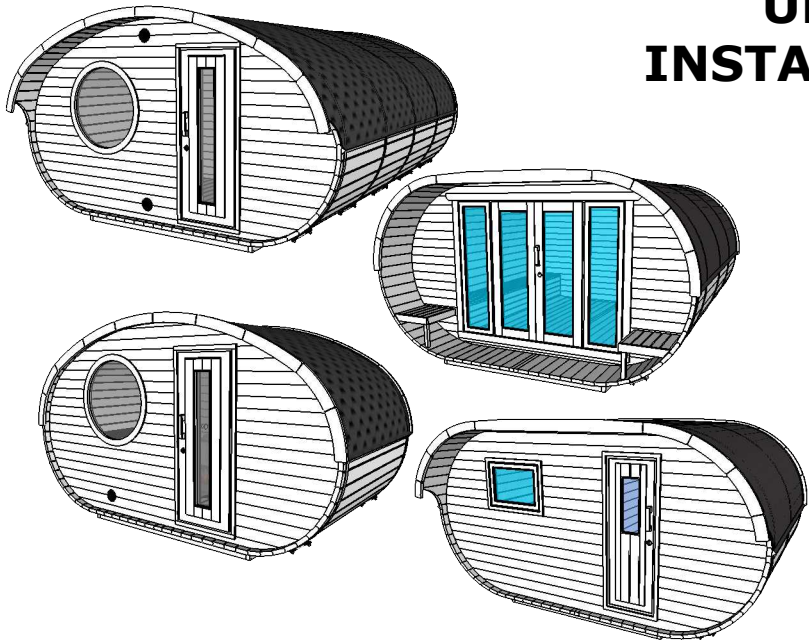
Oval Sauna "Hobbit" 4 x 2,4 (El.heater)



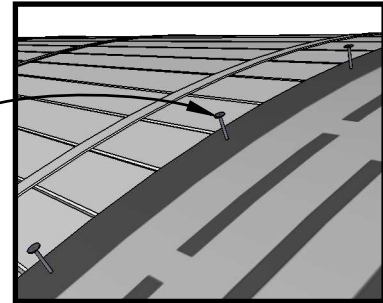
Self-adhesive UNDERLAY FELT INSTALLATION MANUAL.

Check also underlay felt installation manual inside the package.

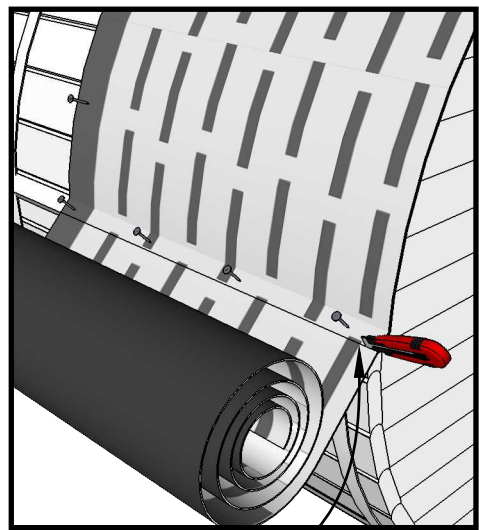
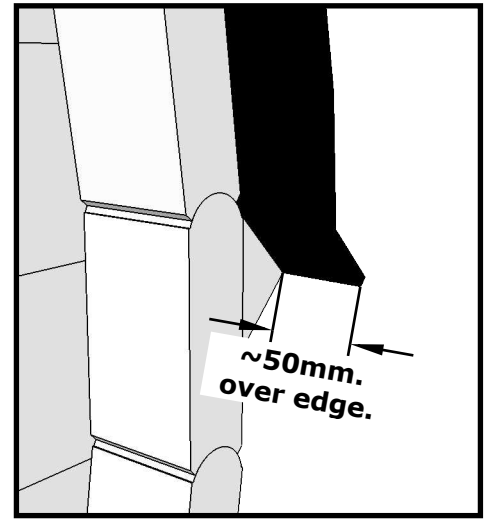
The temperature during installation should be a minimum of +10°C. In colder conditions, a hot air gun should be used. **Hot bitumen or torching must not be used when installing the felt.**



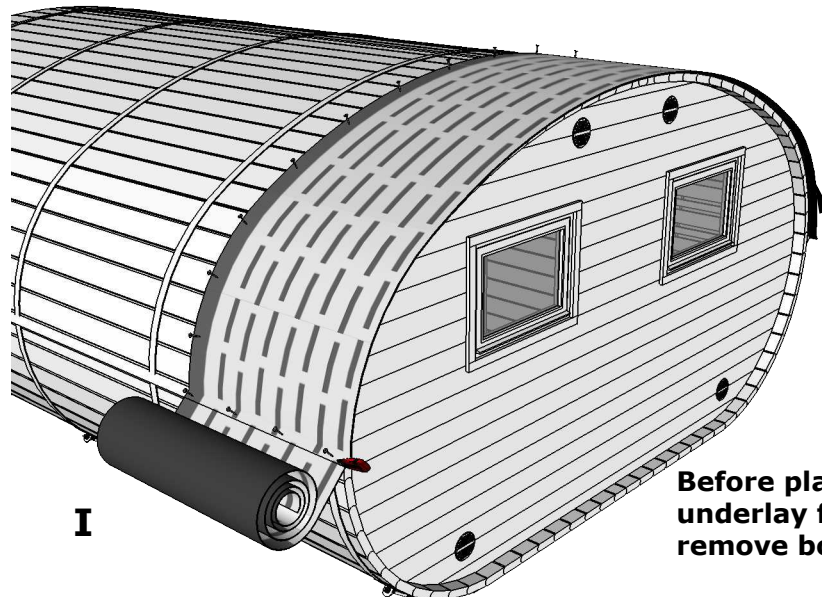
Use clout nails only on bitumen side.



Start from backside!



Cut off

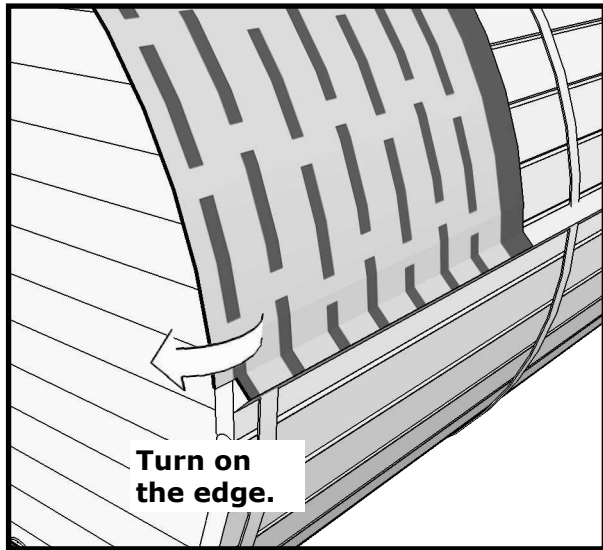


I

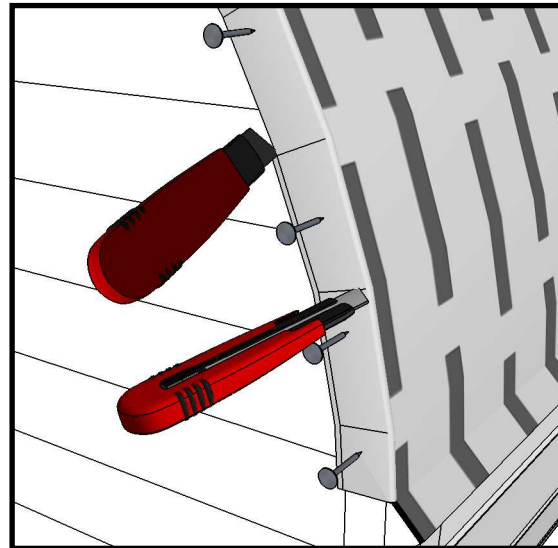
Before placing underlay felt, remove bottom film.



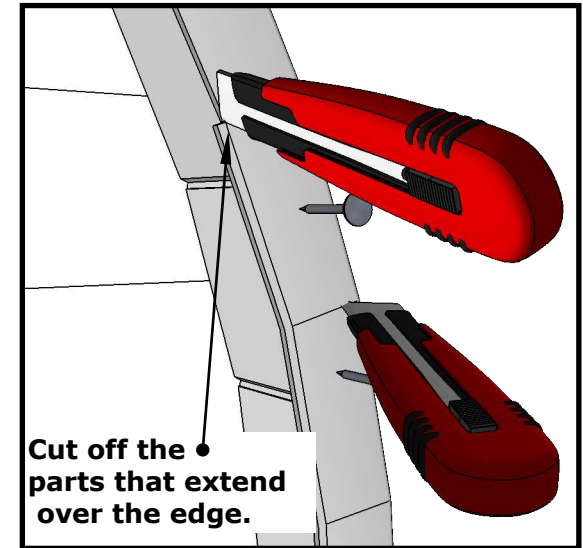
1.



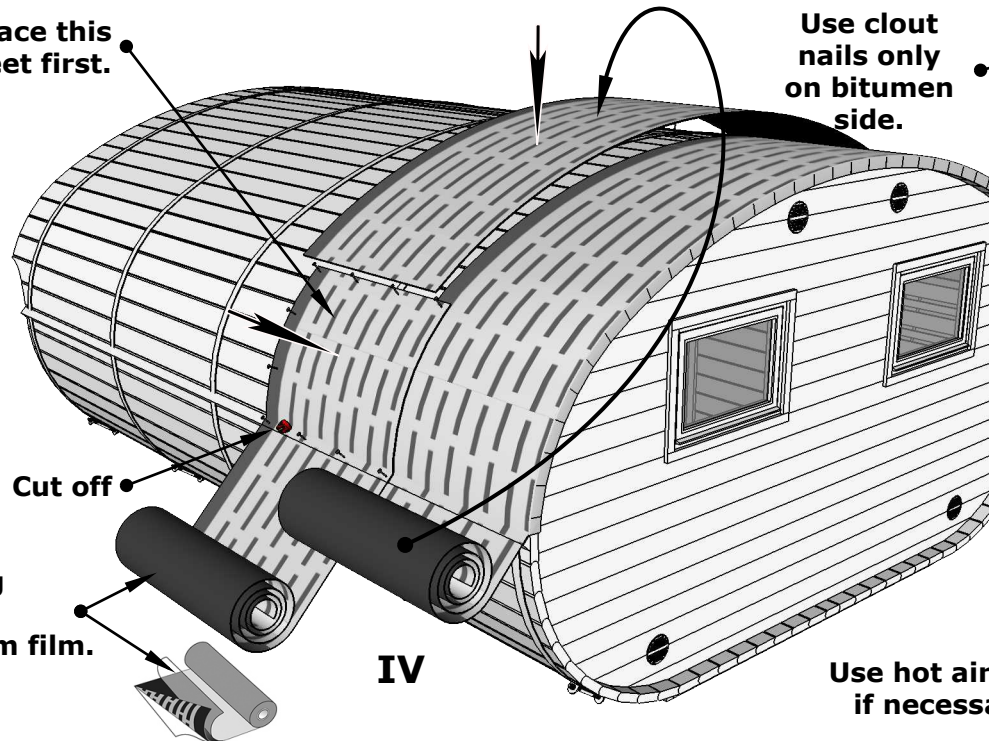
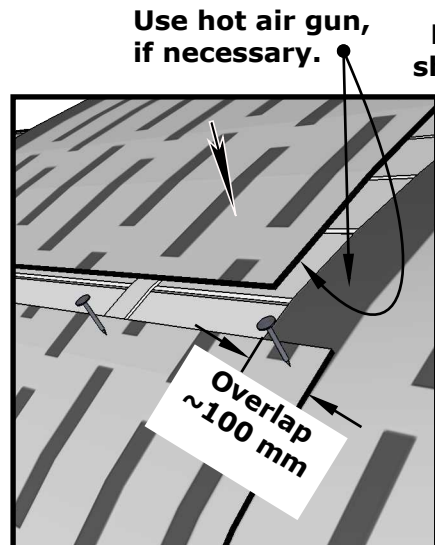
I



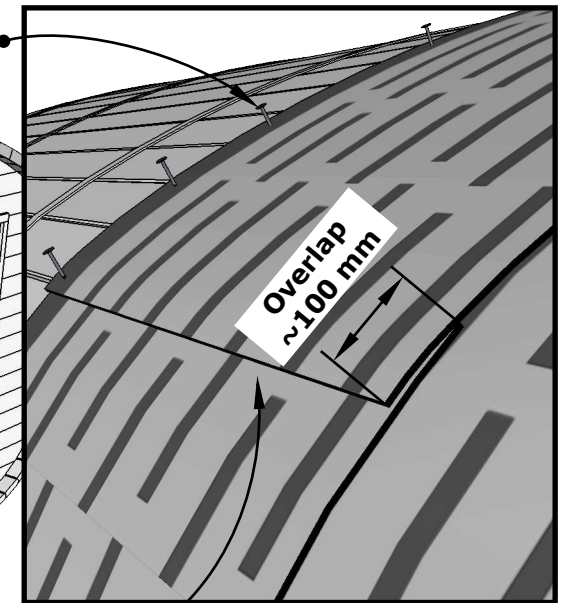
II



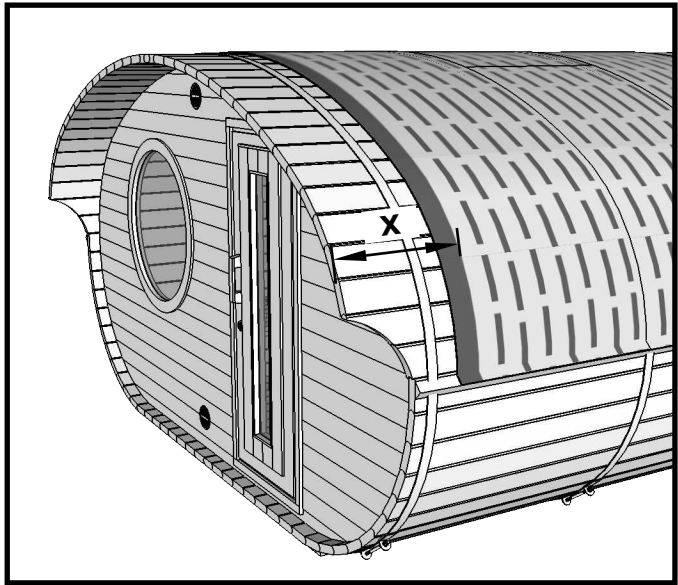
III



IV

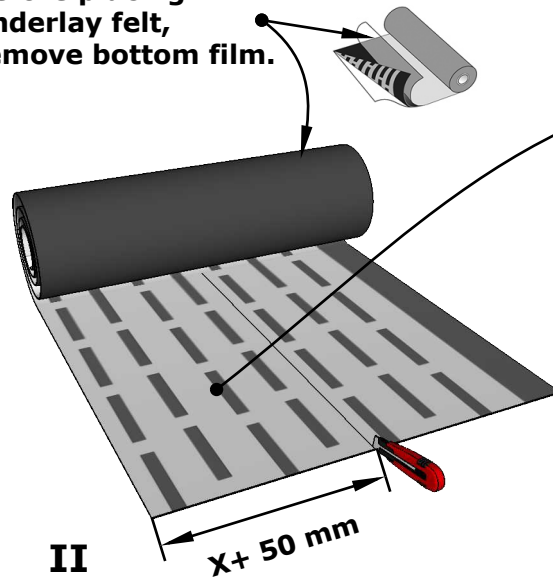


2.

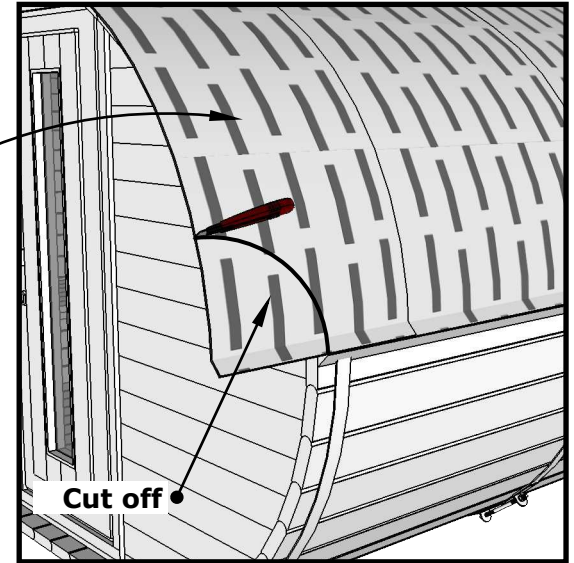


I

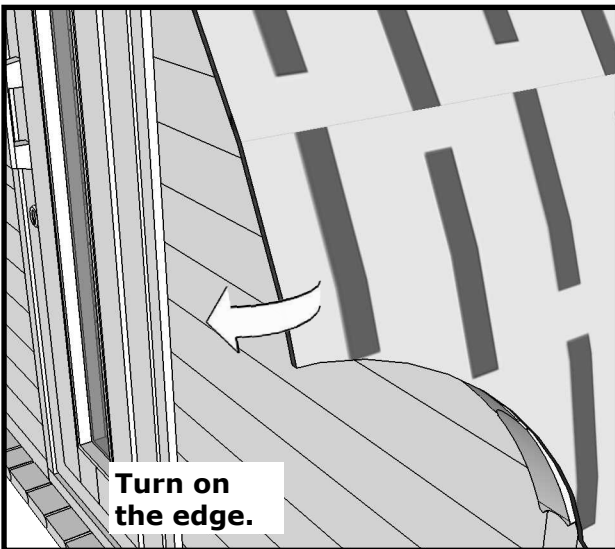
Before placing underlay felt, remove bottom film.



II

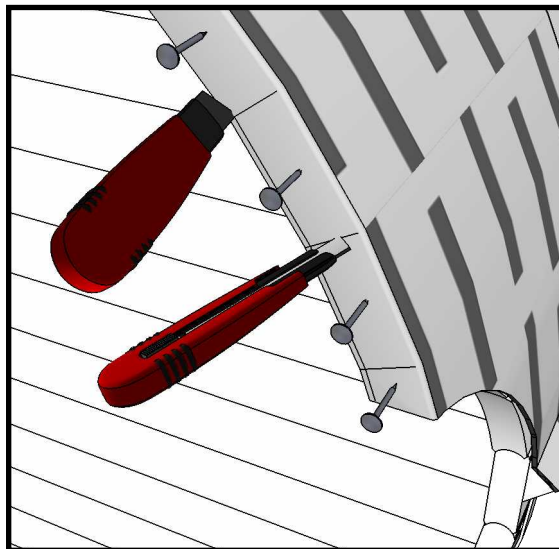


III

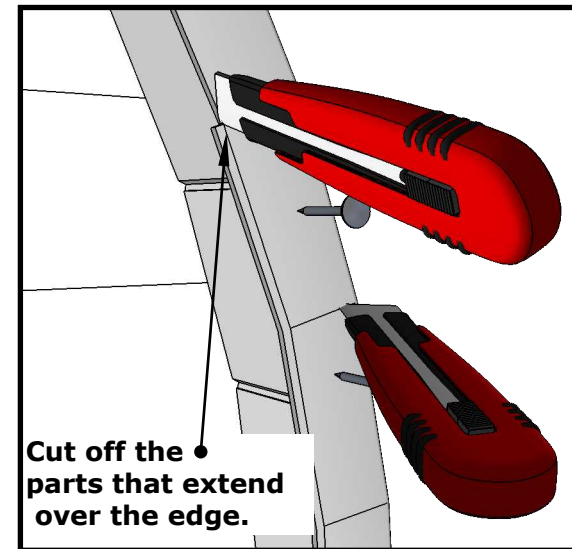


Turn on the edge.

IV



V



Cut off the parts that extend over the edge.

VI

Continue with roof shingles.

3.