

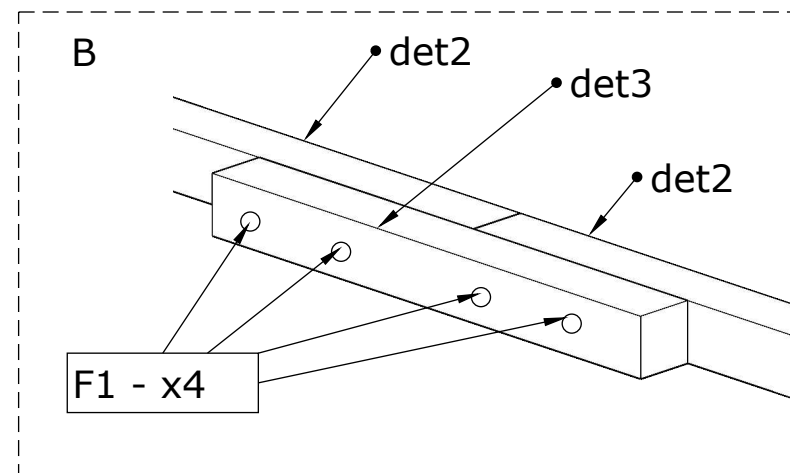
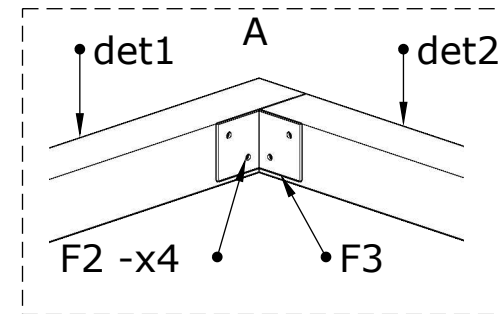
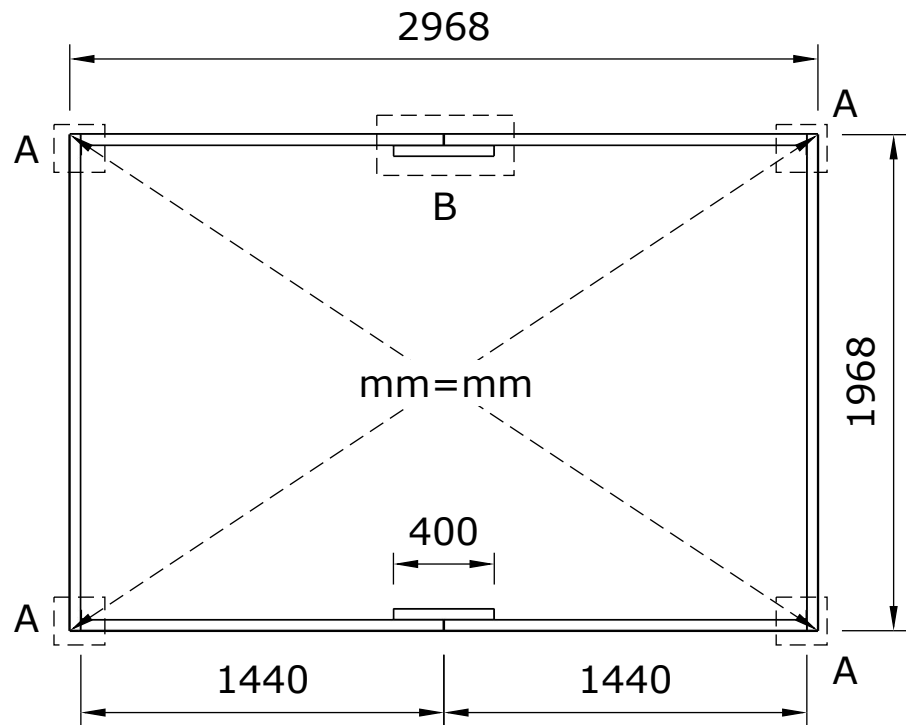
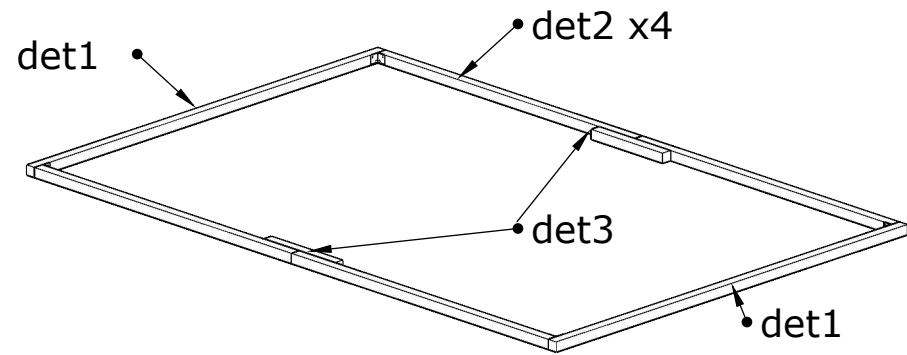


det1 - 44x44x1968 - x2
 det2 - 44x44x1440 - x4
 det3 - 44x44x400 - x2

F1  4,5x80 - x8

F2  4,0x30 - x16

F3  40x40x40 -x4





EXTRAS MONTAGE

det2 - 44x44x1440 - x4

det3 - 44x44x400 - x2

F1  4,5x80 - x8

F2  4,0x30 - x16

F6  4,0x40 - x104

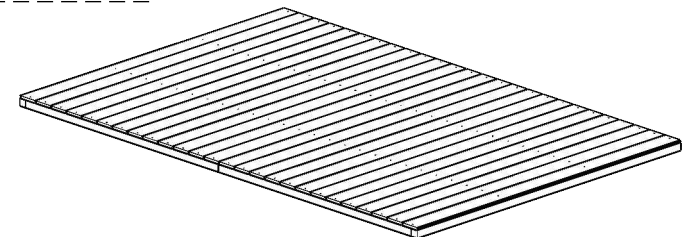
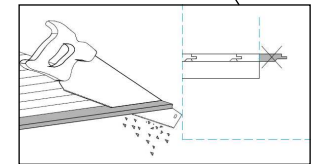
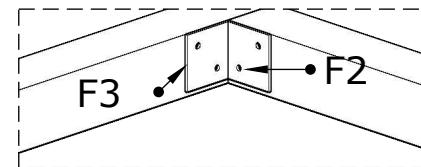
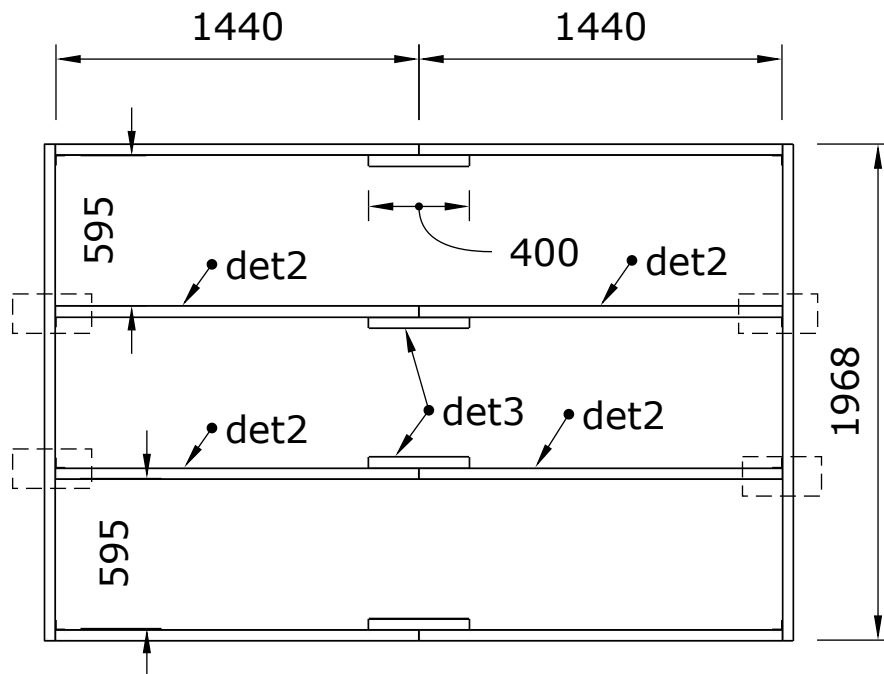
F3 40x40x40 -x4

det36 - 16x114x1968 - x26

2968


det 36 x26


1968

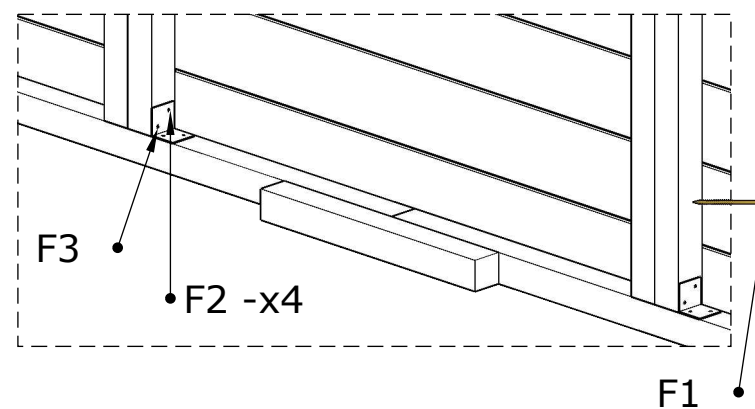
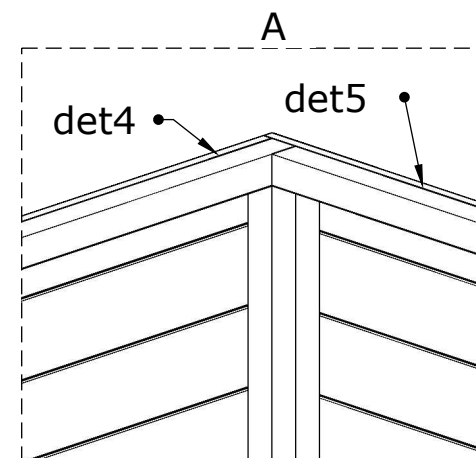
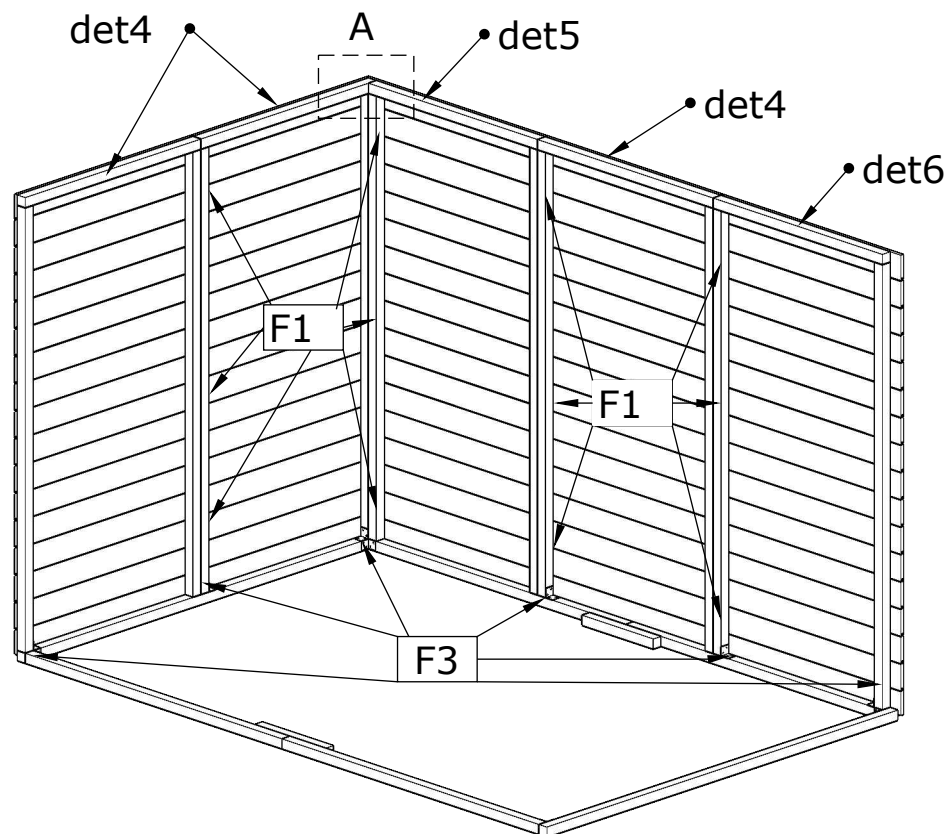


det4 - 60x984x1936 - x3
det5 - 60x1008x1936 - x1
det6 - 60x1008x1936 -x1

F1  4,5x80 - x12

F2  4,0x30 - x24

F3  40x40x40 -x6



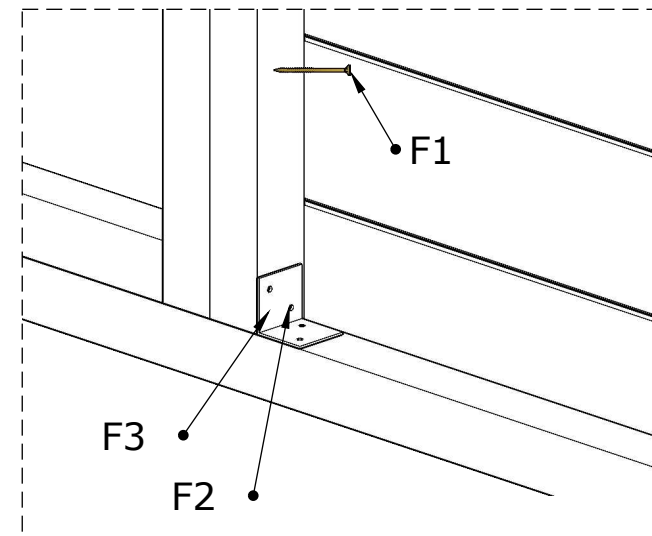
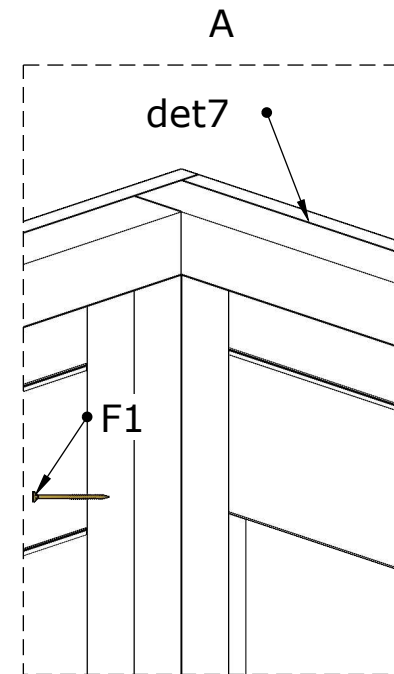
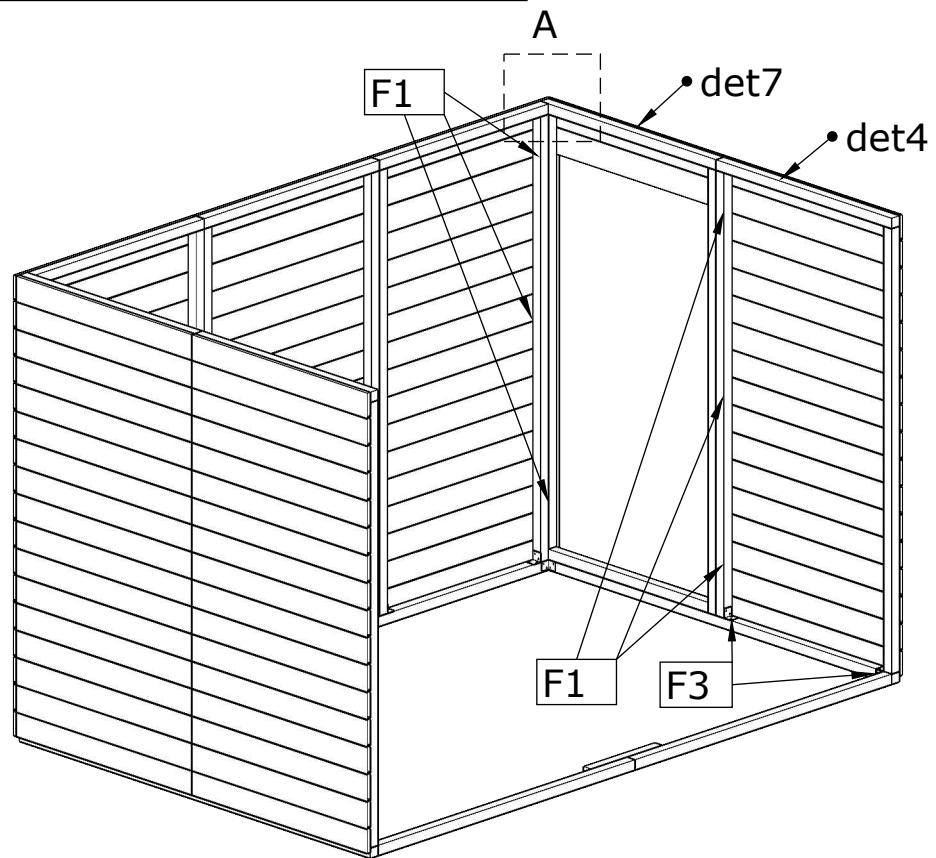
det4 - 60x984x1936 -x1

det7 - 60x984x1936 -x1

F1  4,5x80 - x6


F2  4,0x30 - x8

F3 40x40x40 -x2

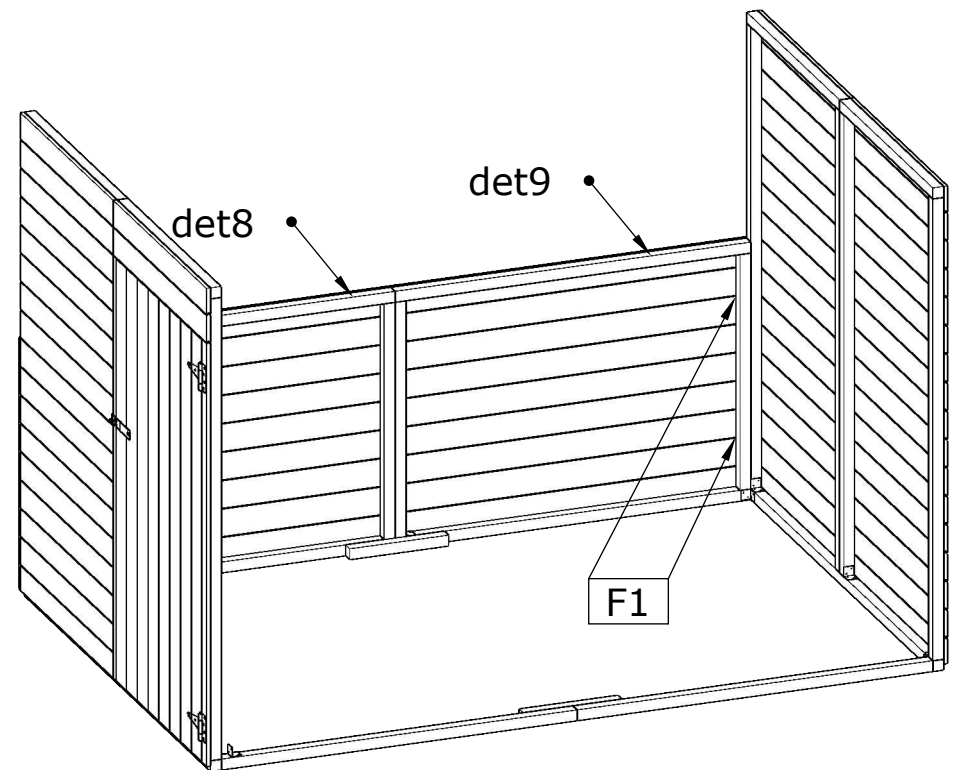
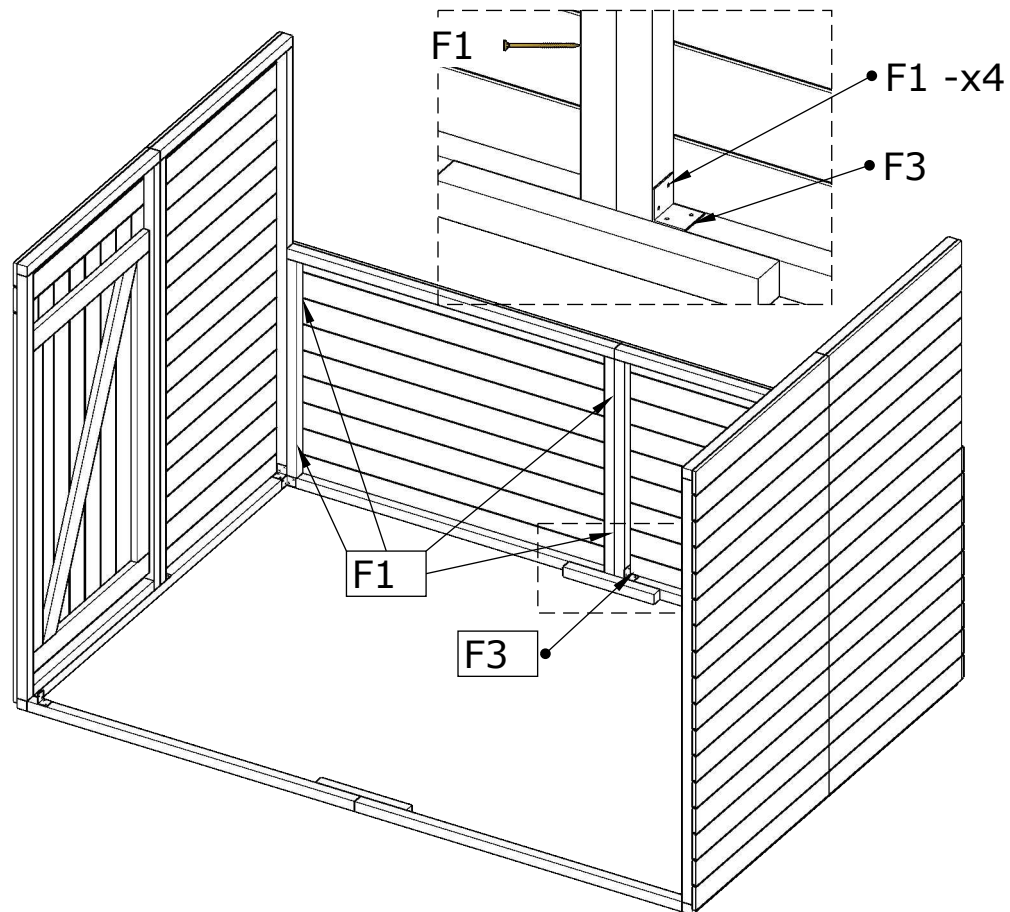


det8 - 60x1020x1500 - x1
det9 - 60x1020x1500 - x1

F1  4,5x80 - x6

F2  4,0x30 - x4

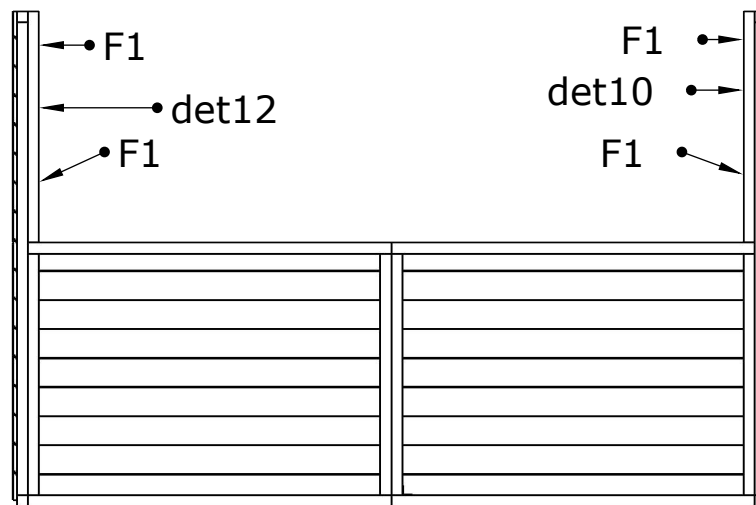
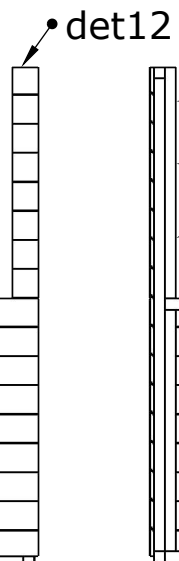
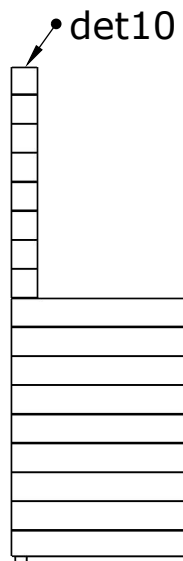
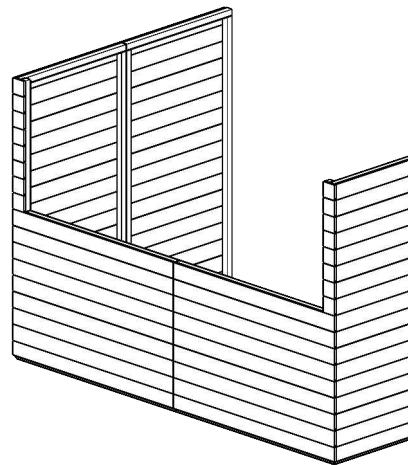
F3 40x40x40 -x1



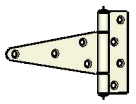
det10 - 60x104x916 - x1


det12 - 60x104x916 - x1

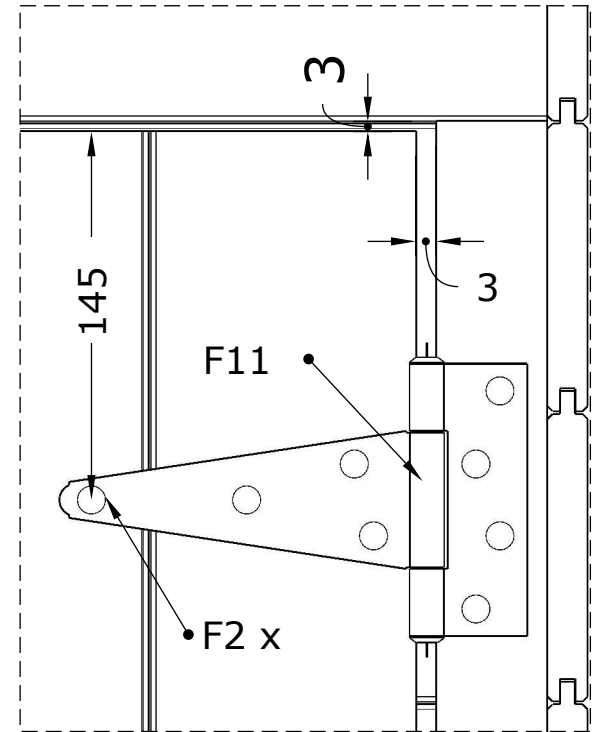
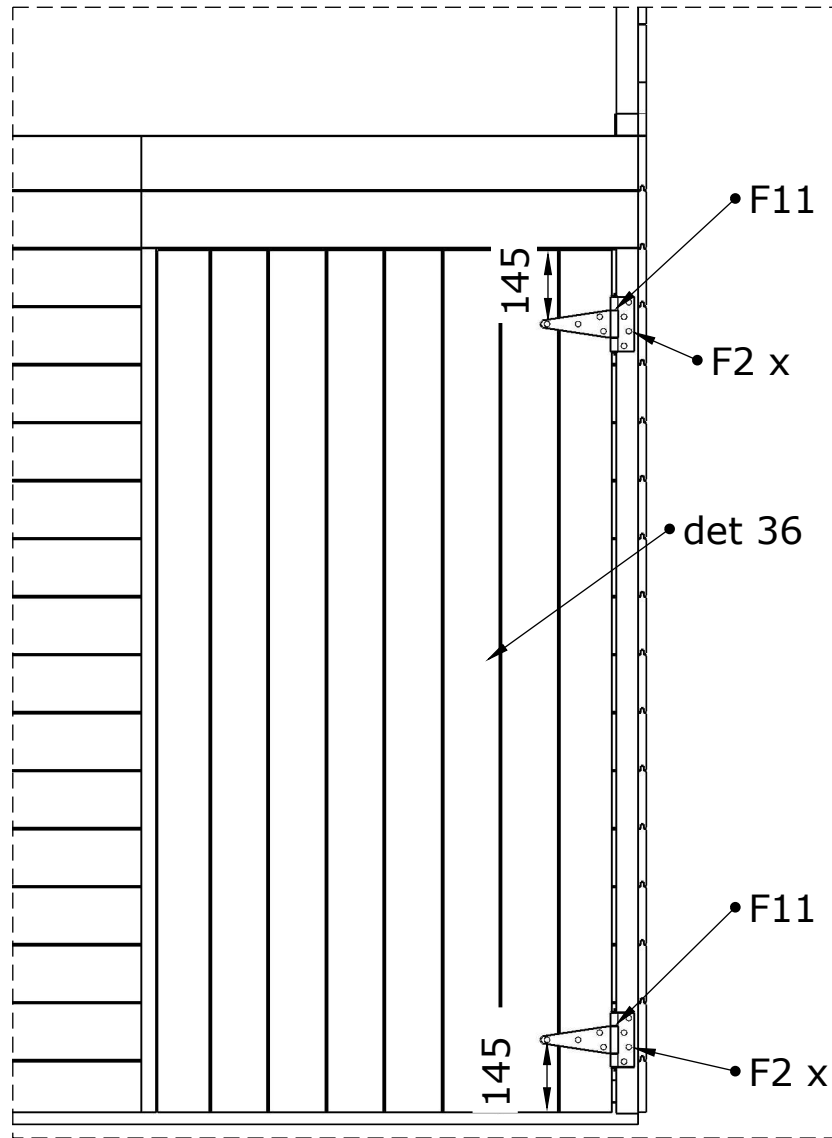
F1  4,5x80 - x4



det 36 - 44x900x1705 - x1

F11 -  x2


F2 - 4,0x30 - x16




det11 - 60x88x916 - x1
 det16 - 90x474x500 - x2
 det17 - 90x474x500 - x2

F1  4,5x80 - x11

F2  4,0x30 - x4

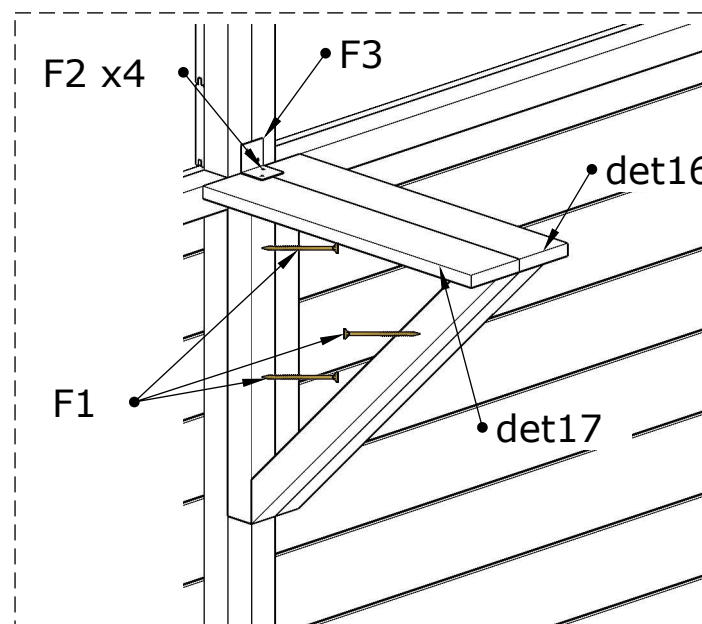
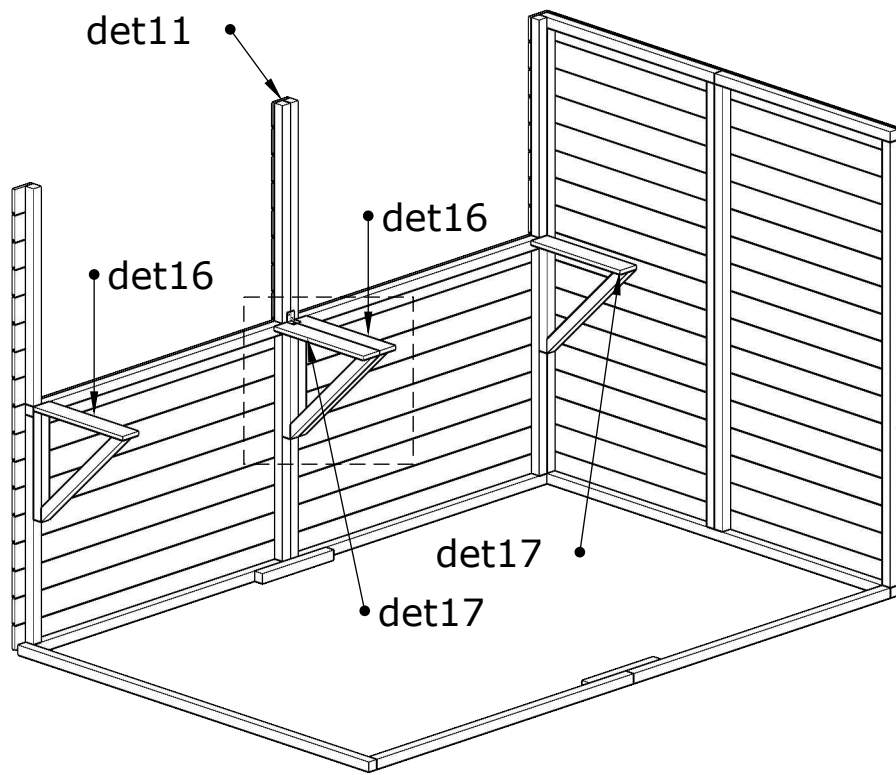
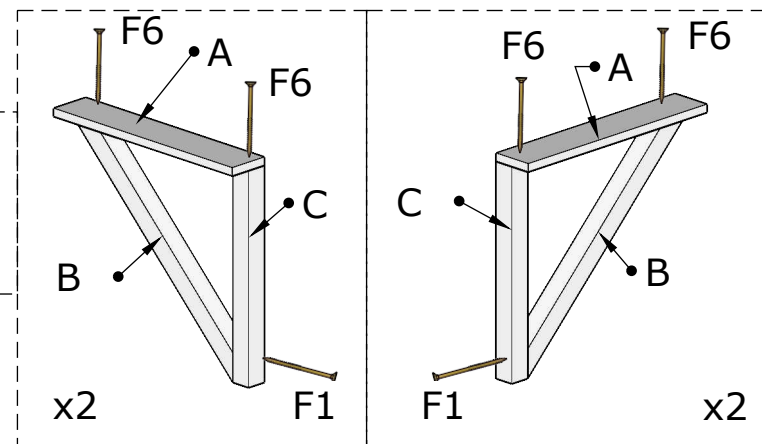
F6  4,0x40 - x8

F3  40x40x40 -x1


A - 18x90x500 - x4


B - 44x44x650 - x4

C - 44x44x456 - x4

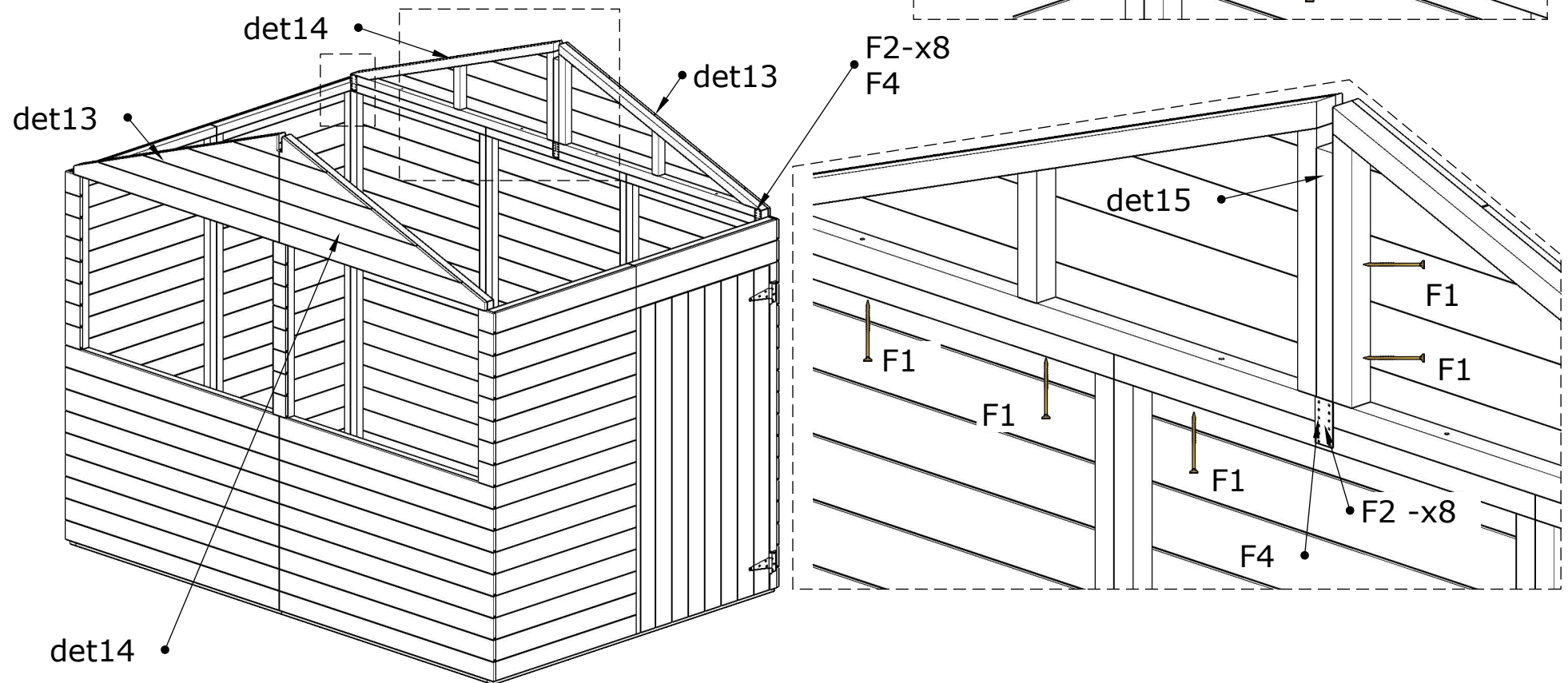
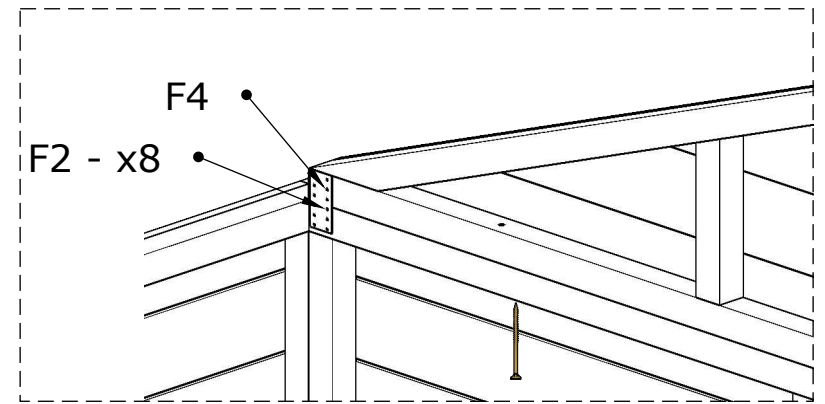


det13 - 60x561x1440 - x2
det14 - 60x561x1440 - x2
det15 - 44x38x436 - x2

F1  4,5x80 - x16

F2  4,0x30 - x48

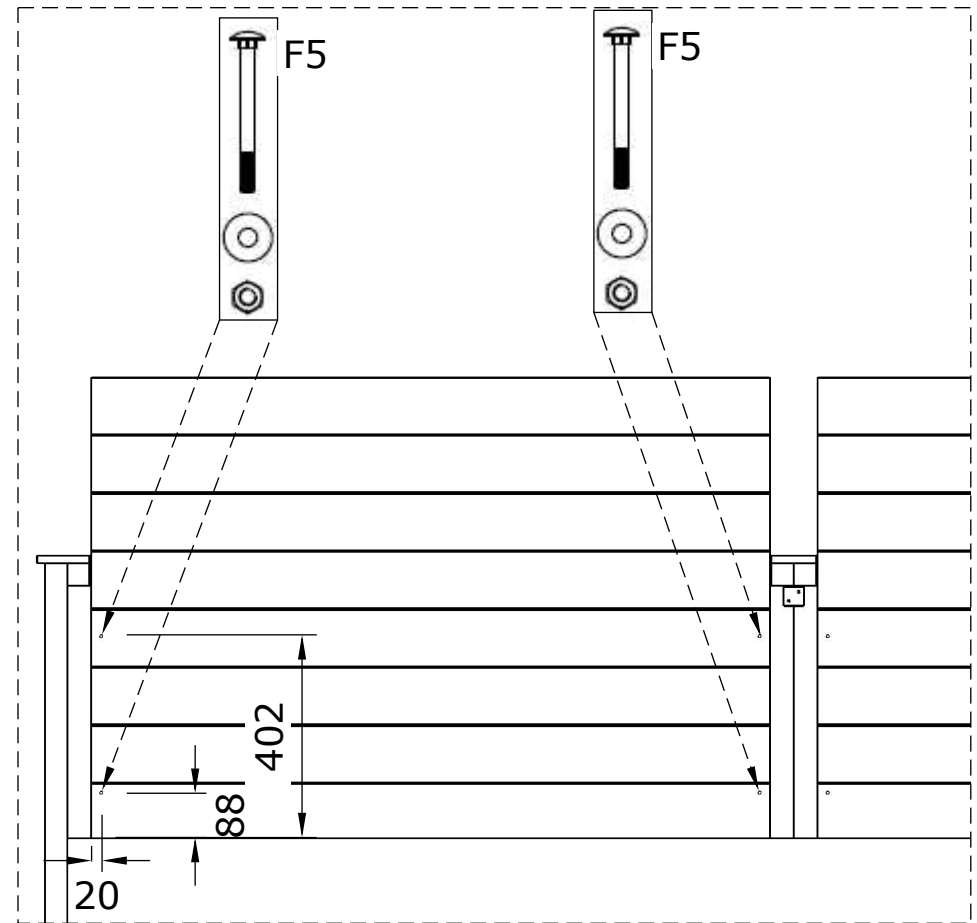
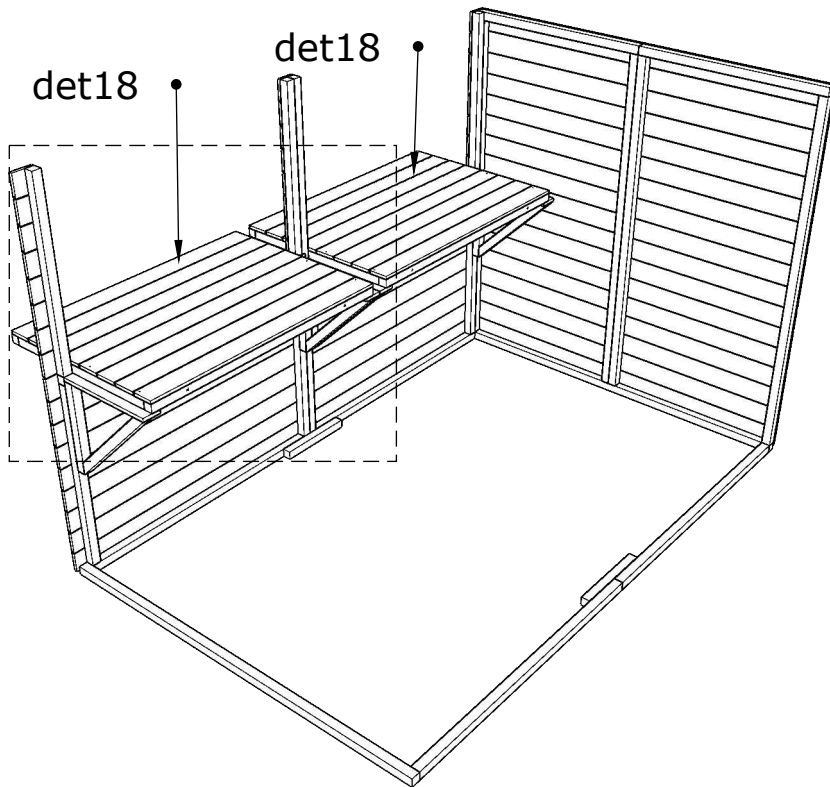
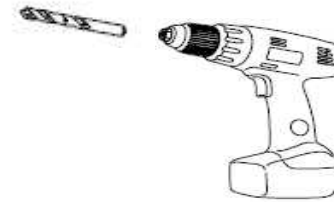
F4  40x80 - x6



det18 - 60x904x1345 - x2


F5  - x8


○ 7-8 mm.

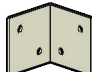


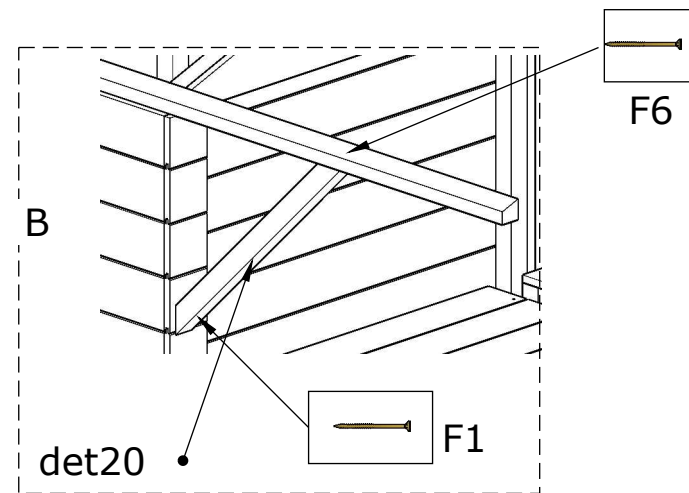
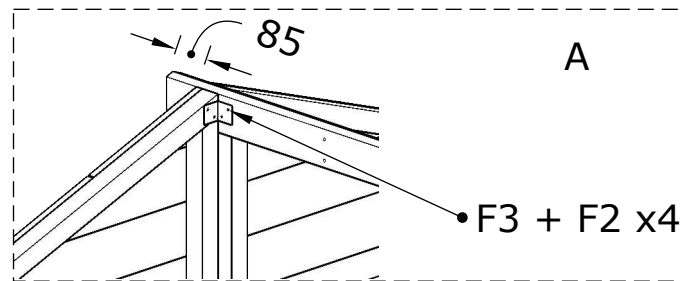
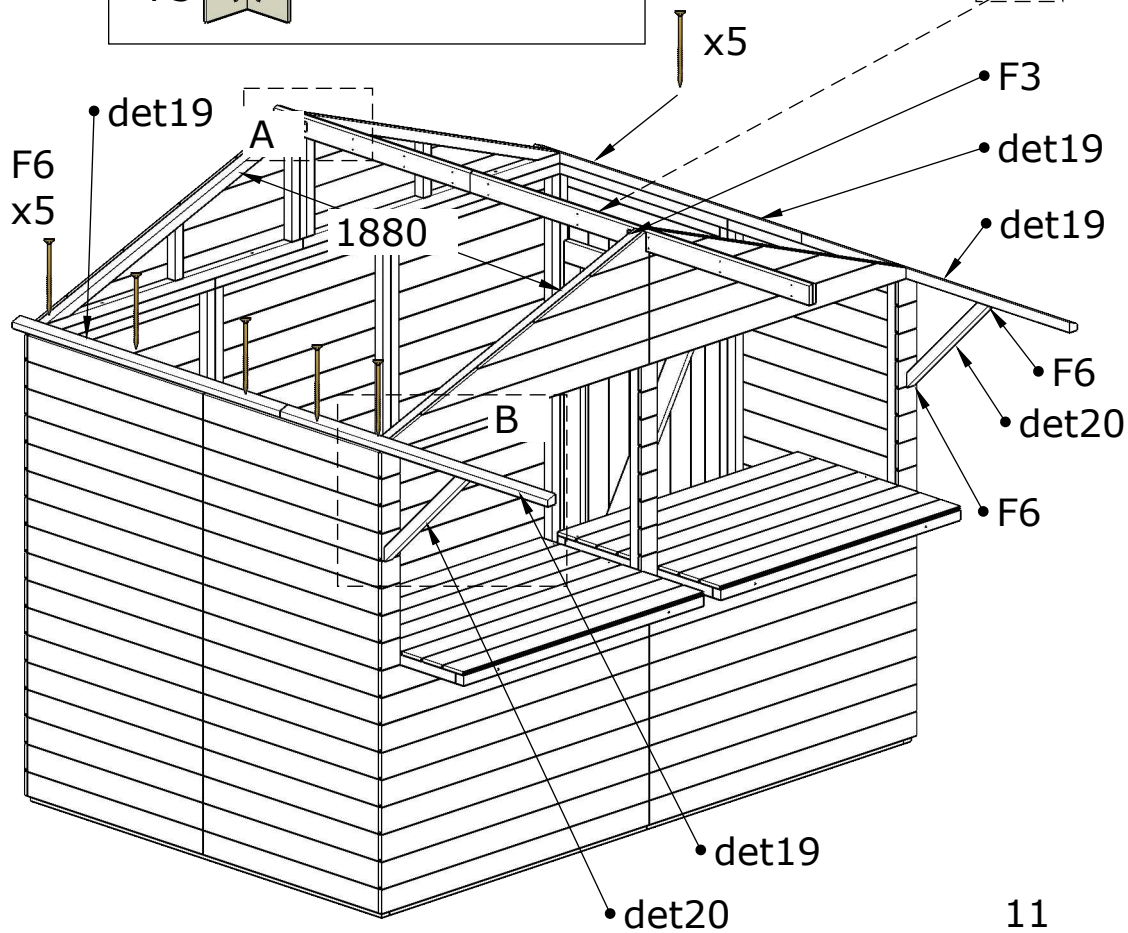
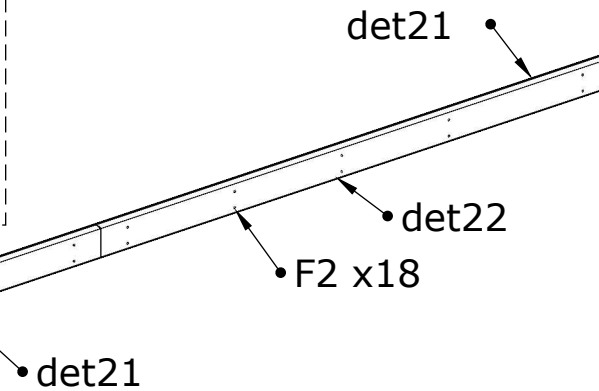
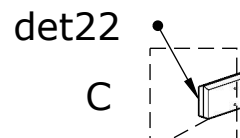
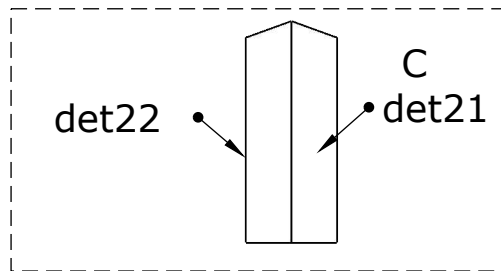
det19 - 44x44x1500 - x4
 det20 - 44x44x650 - x2
 det21 - 18x88x1100 - x2
 det22 - 18x88x1900 - x2

F1  4,5x80 - x2


F2  4,0x30 - x28

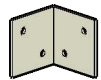
F6  4,0x70 - x14


F3  40x40x40 -x2

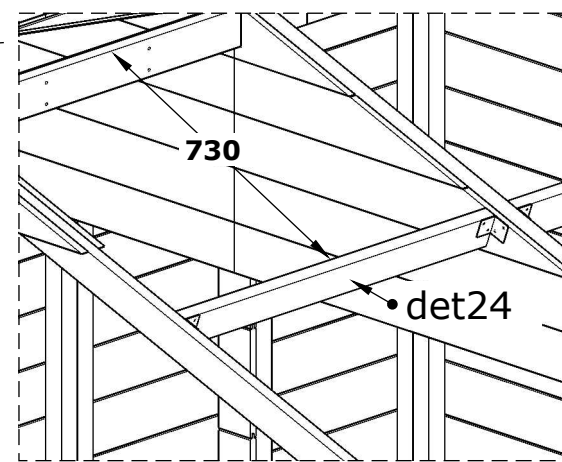
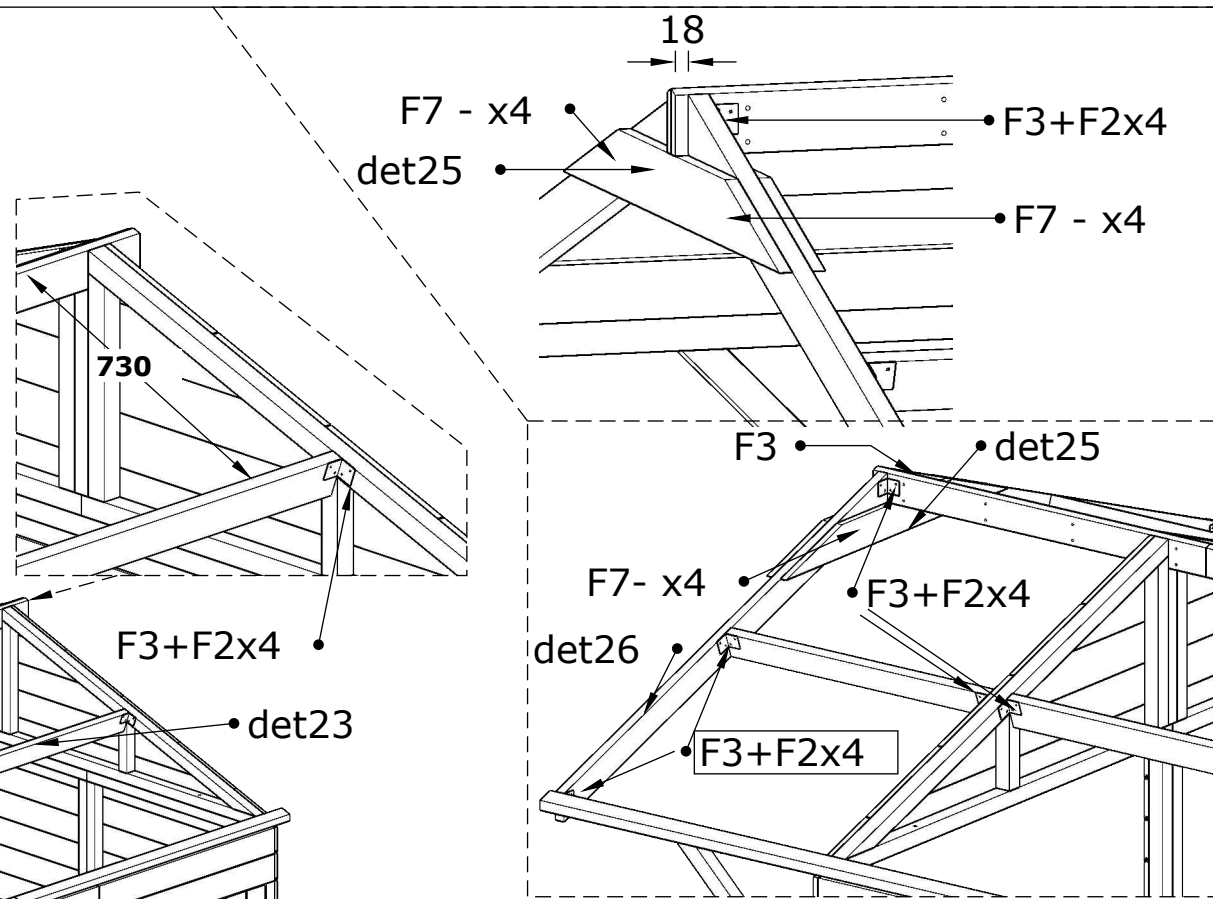
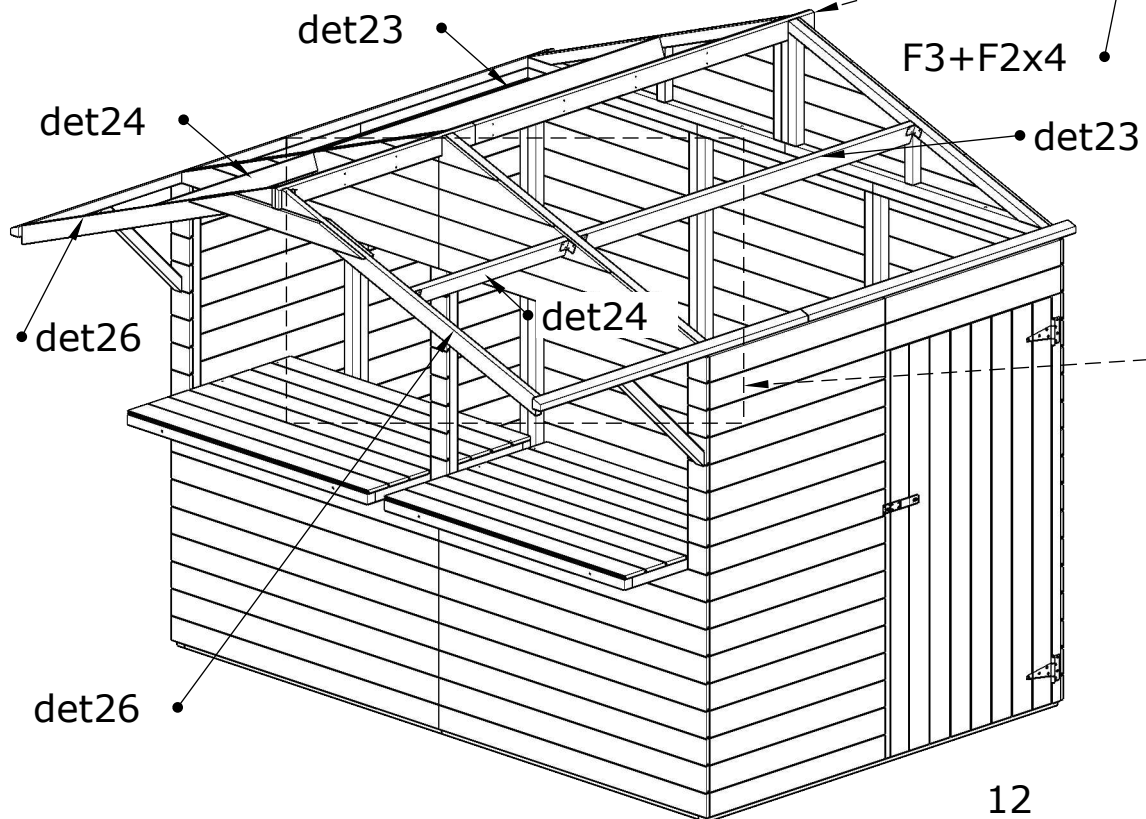


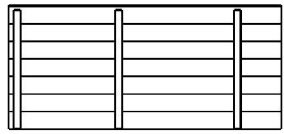
- det23 - 28x90x1880 - x2
- det24 - 28x90x869 - x2
- det25 - 18x90x976 - x2
- det26 - 28x90x1513 - x2

F2  4,0x30 - x48

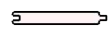
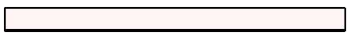
F3  40x40x40 - x12

F7  4,0x40 - x16

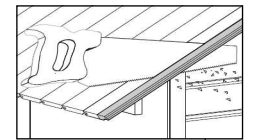
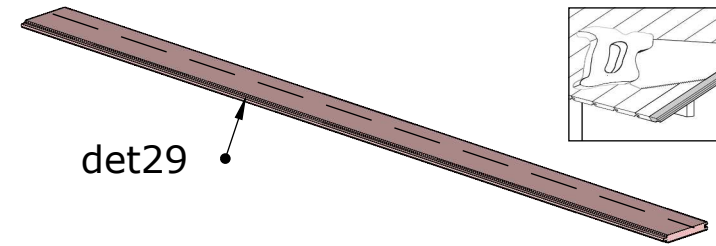
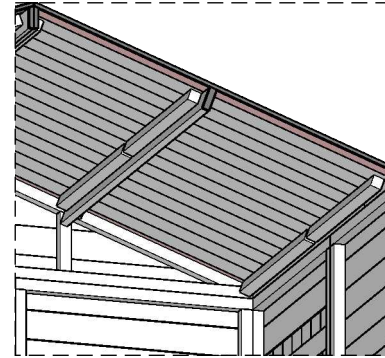




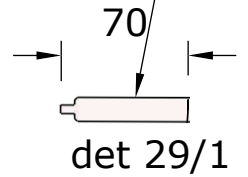
det 28 - 60x810x1800 - x3



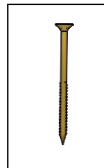
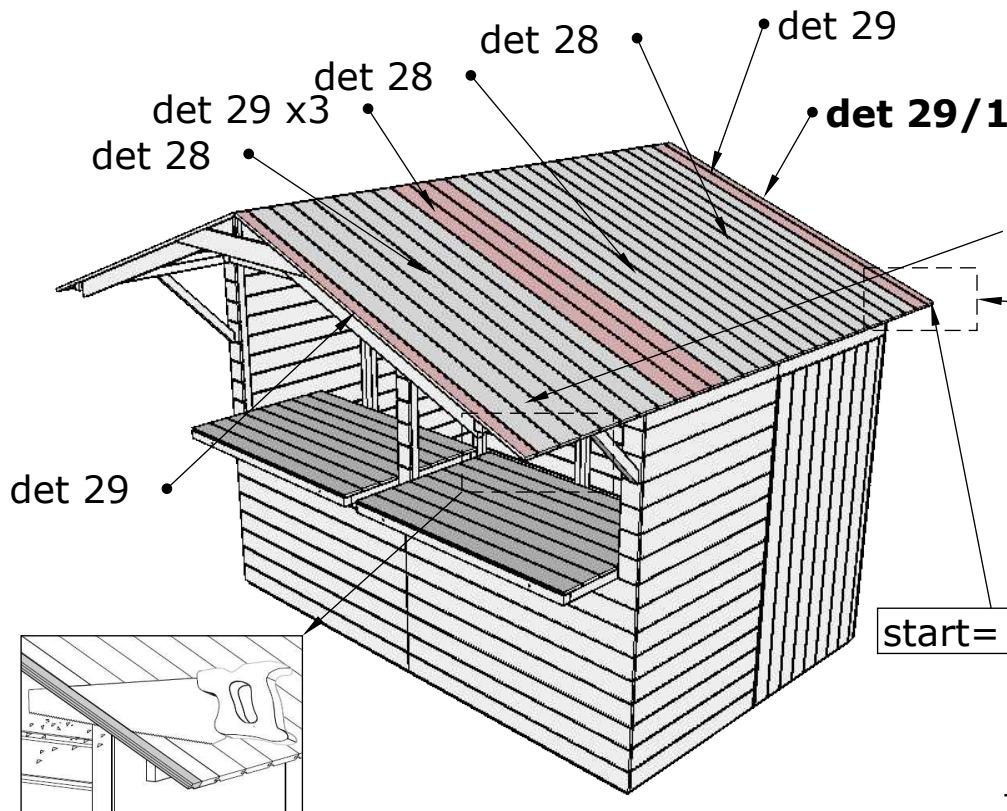
det 29 - 16x114x1800 - x6



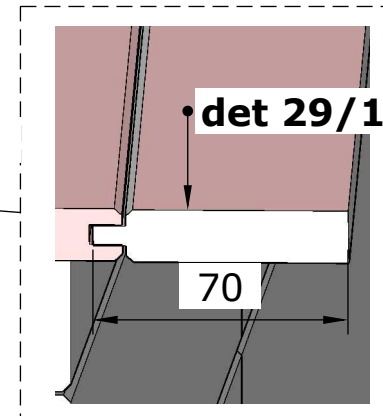
det29



det 29/1



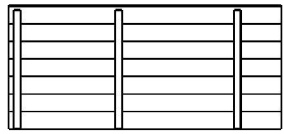
x22
F7 - 4,0x40



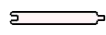
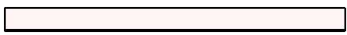
det 29/1

70

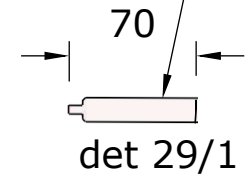
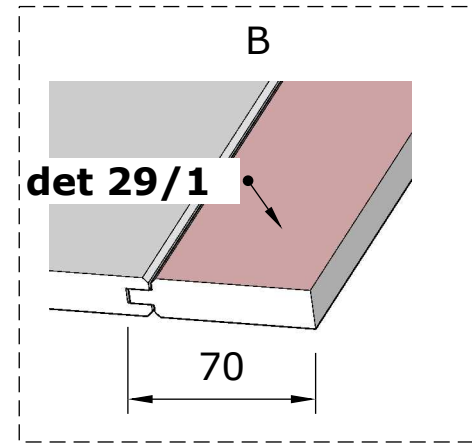
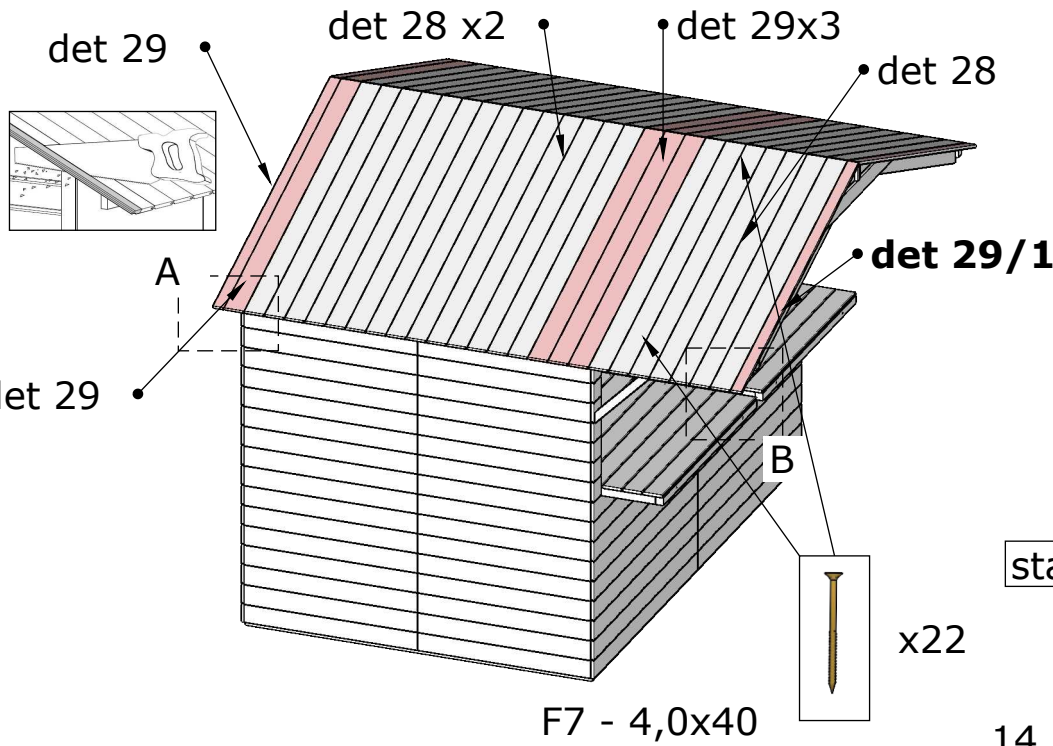
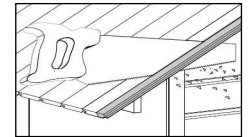
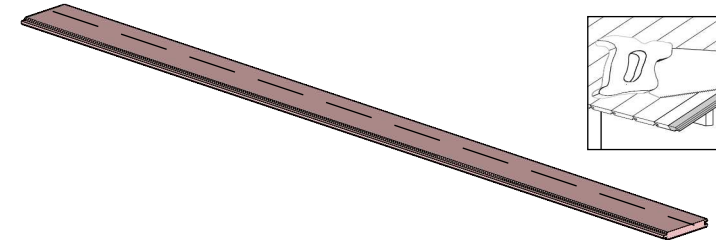
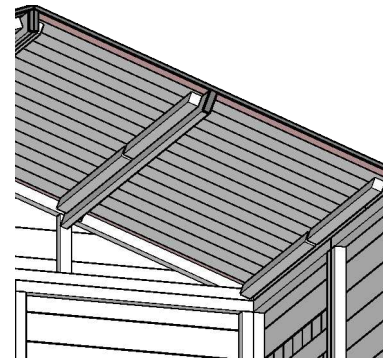
start= det29/1+det29+det28x2+det29x3+det28+det29



det 28 - 60x810x1800 - x3




det 29 - x6






start=det29/1+det28+det29x3+det28x2+det29x2

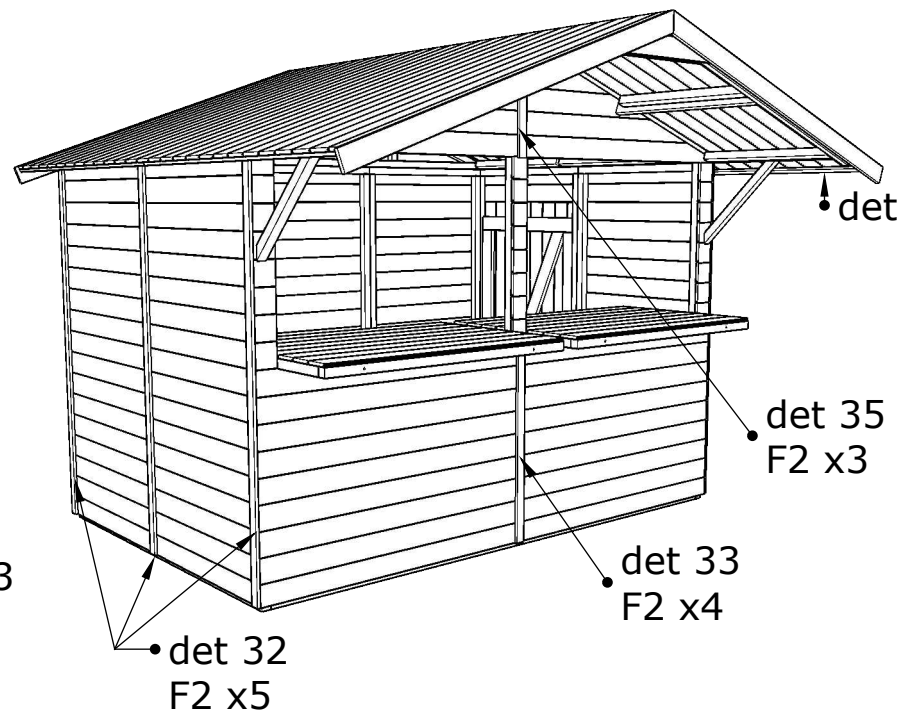
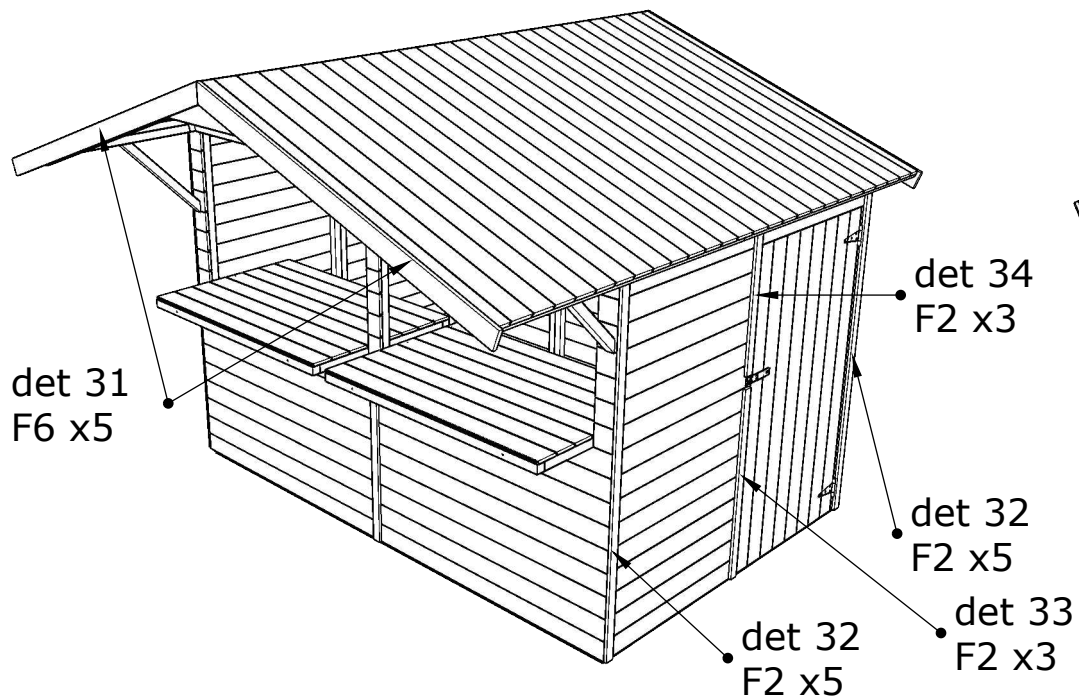
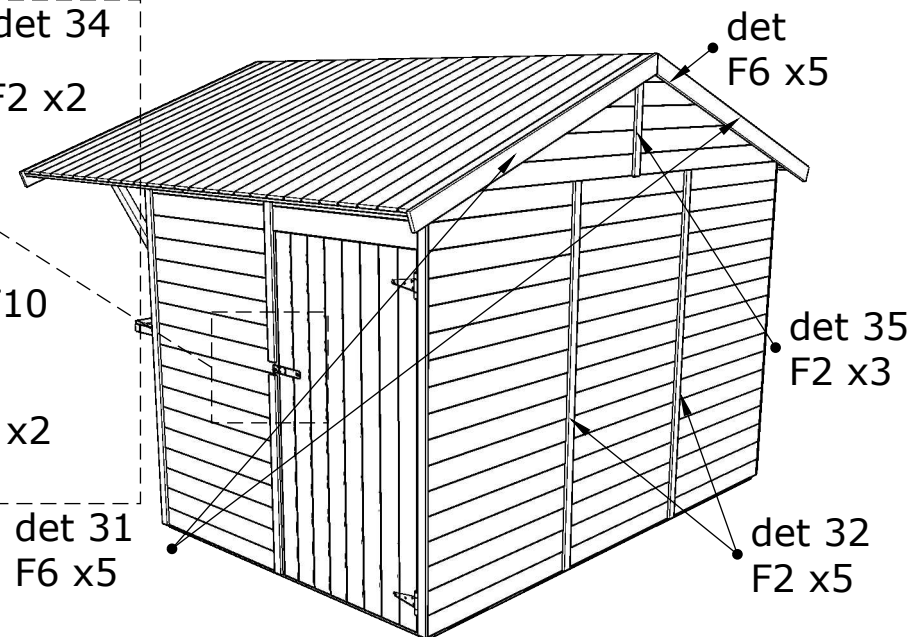
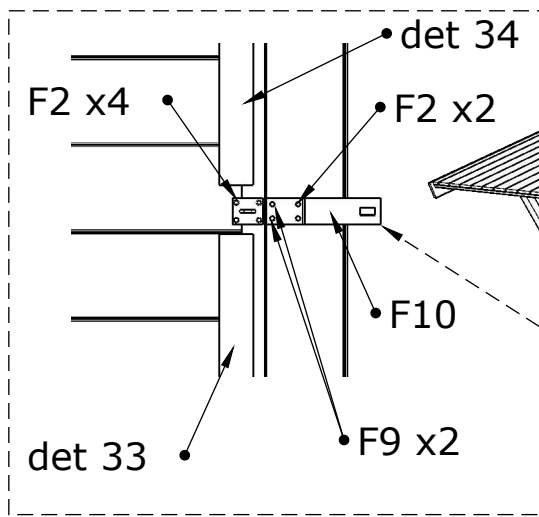
det 31 - 18x90x1820 - x4
 det 32 - 15x45x1936 - x7
 det 33 - 15x45x1020 - x2
 det 34 - 15x45x860 - x1
 det 35 - 15x45x480 - x2

F2  4,0x30 - x56

F6  4,0x40 - x20

F9  4,0x15 - x2

F10   - x1





x8

7-8 mm.

