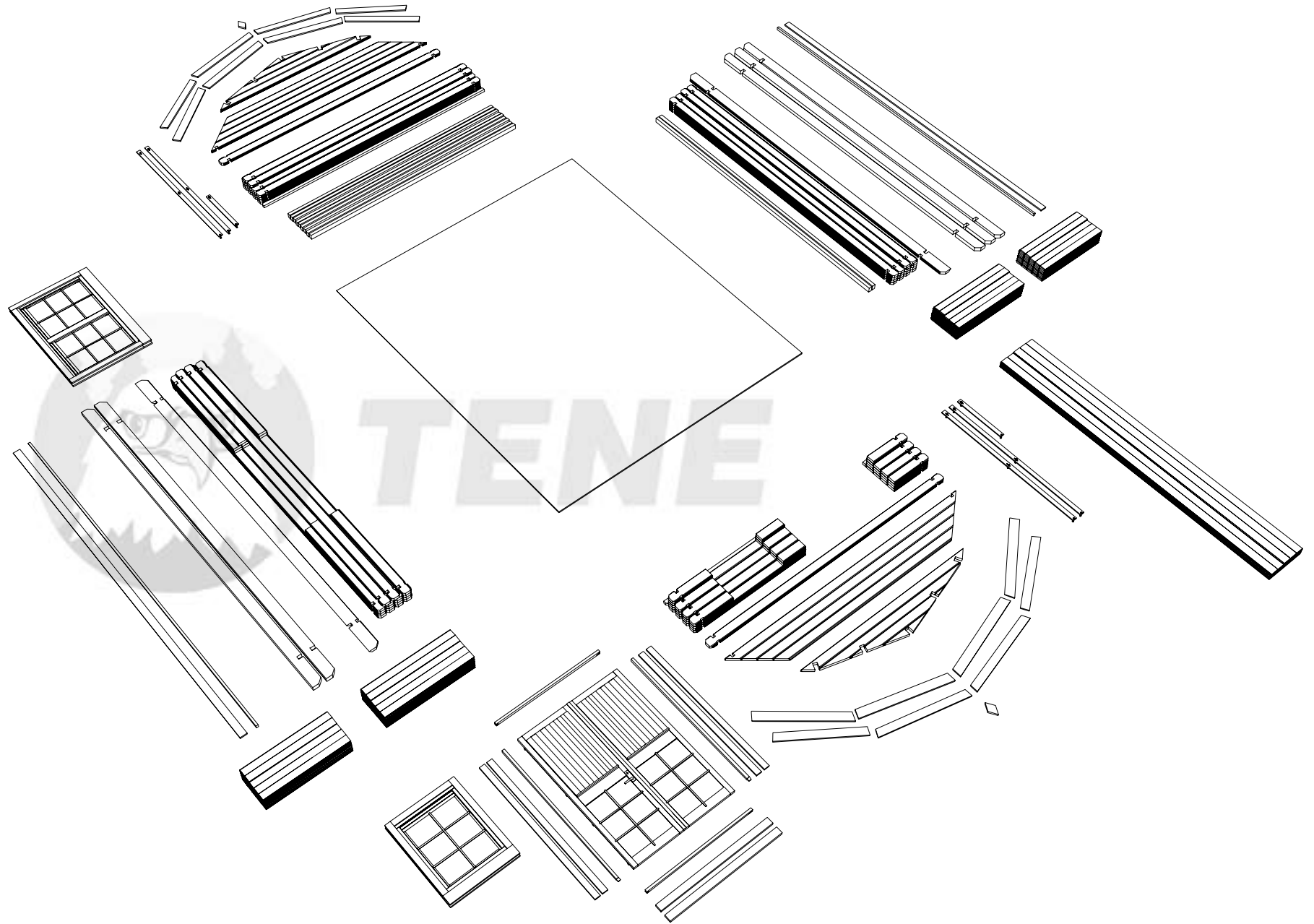
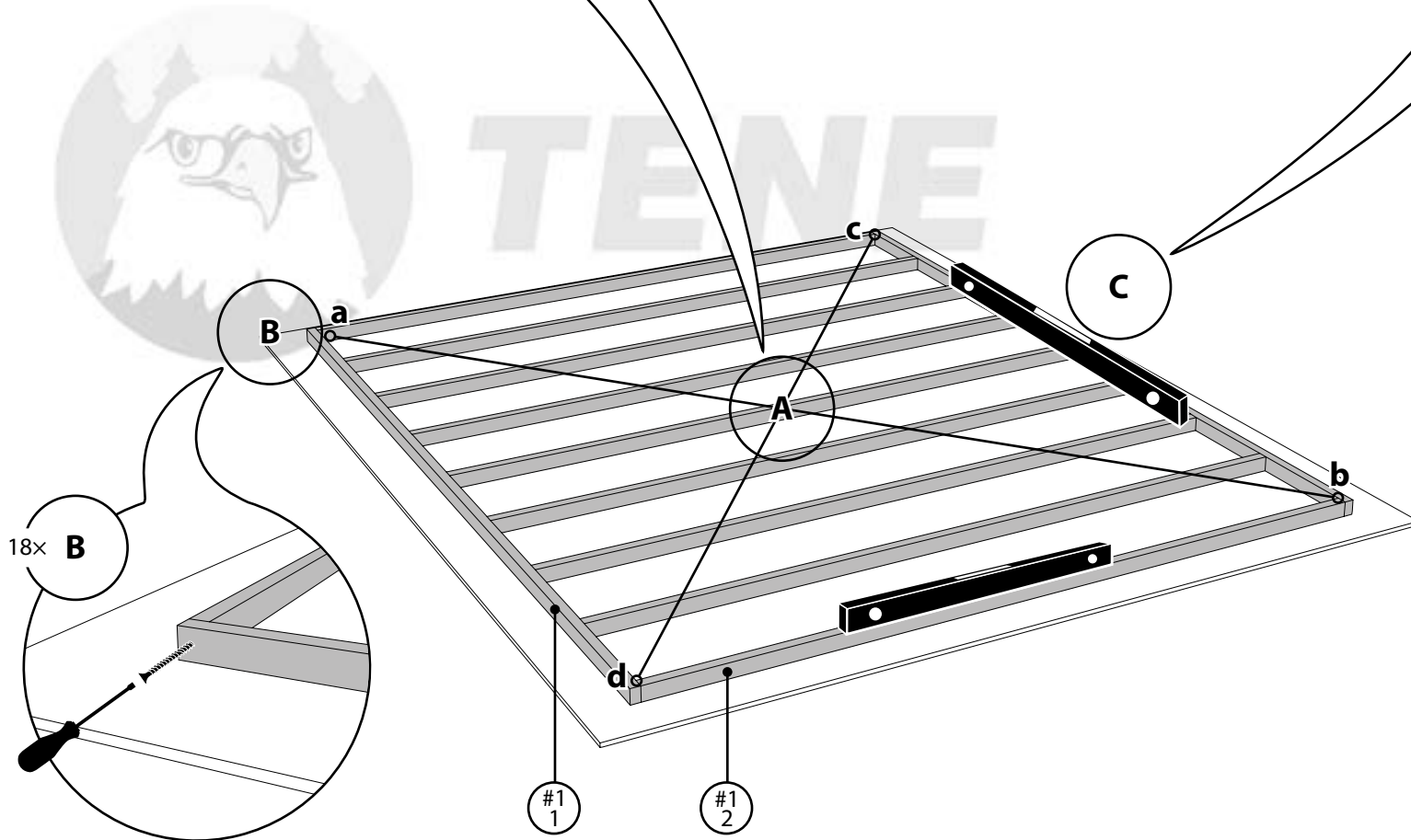
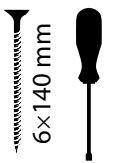
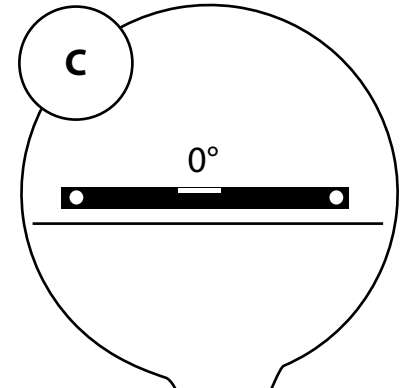
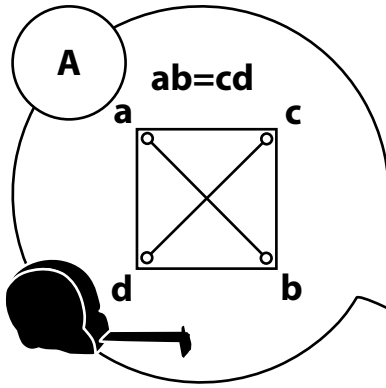


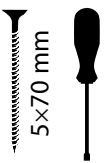
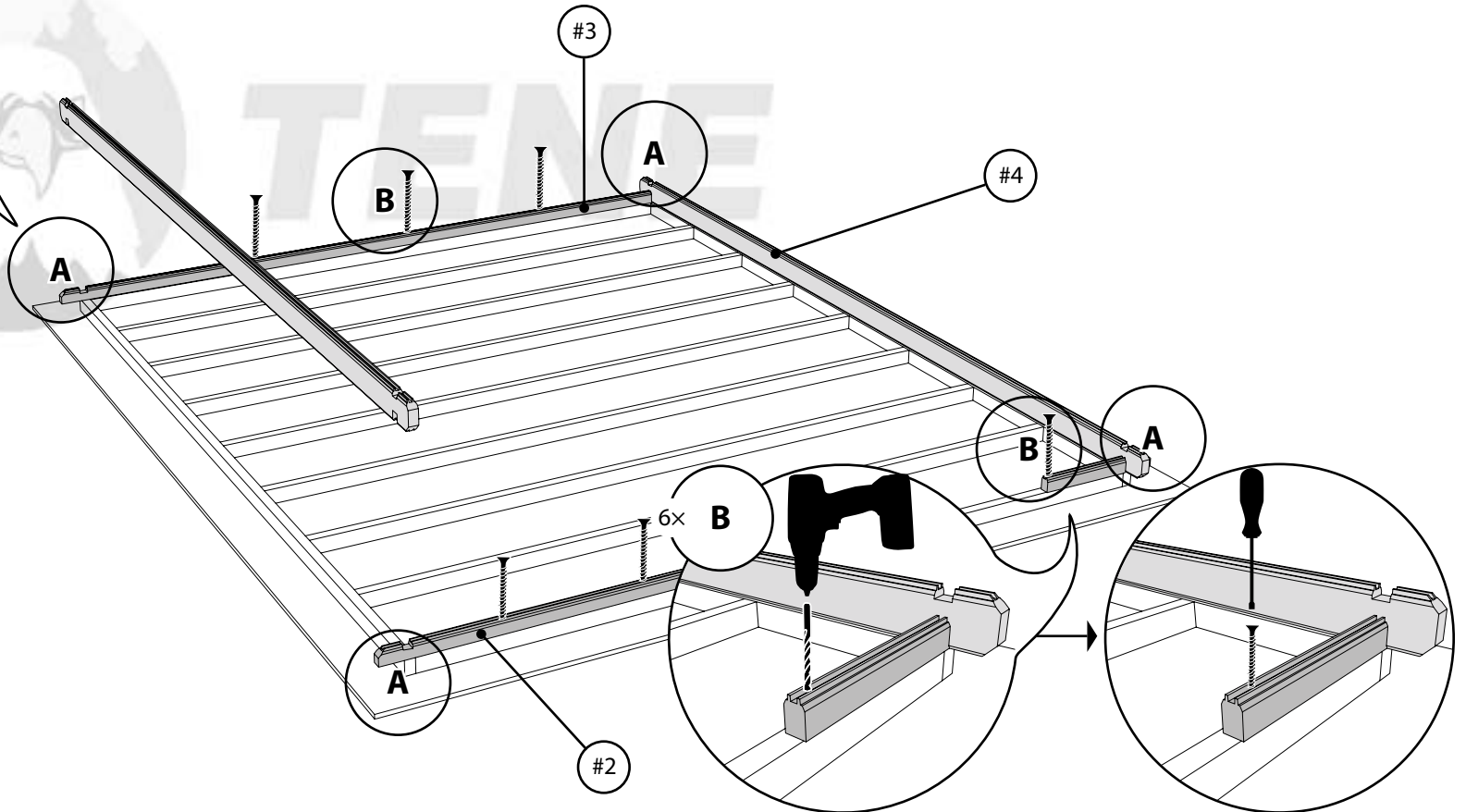
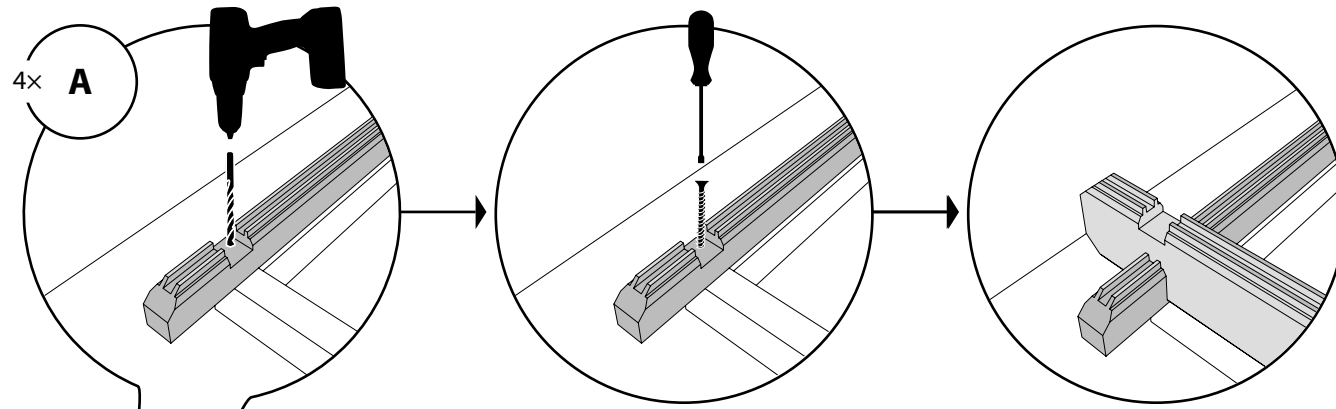
KANSAS 40



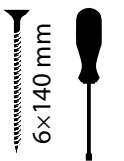
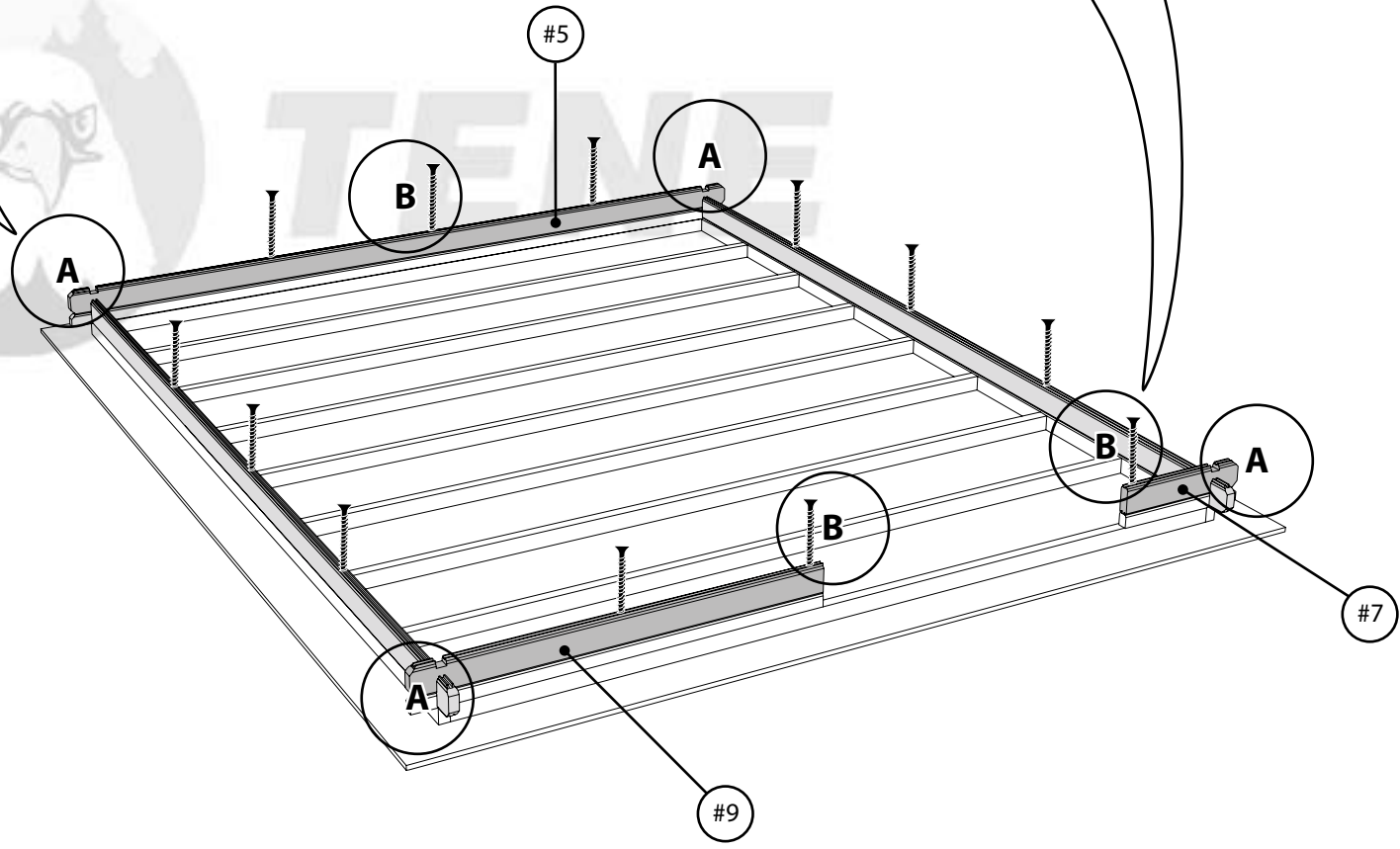
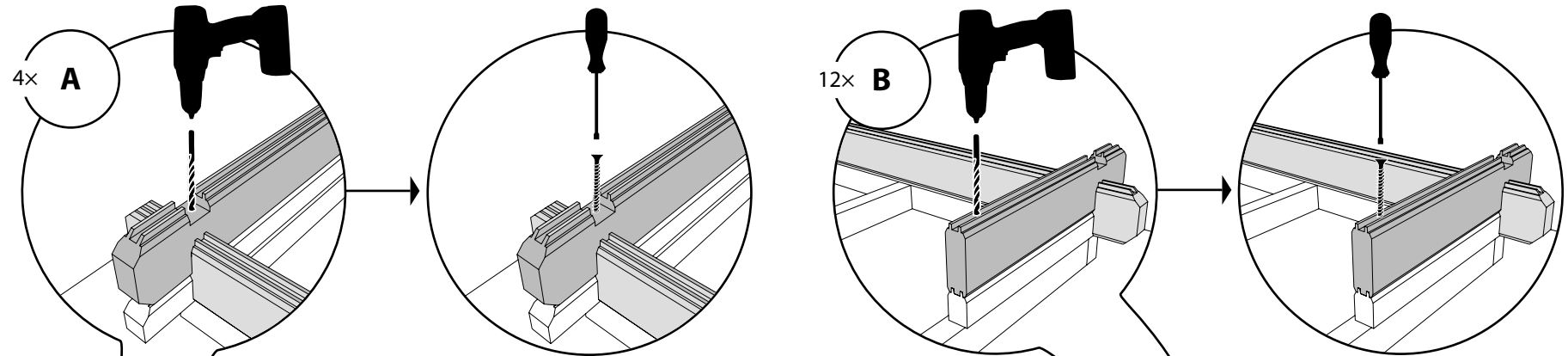
KANSAS 40



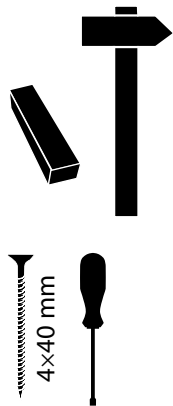
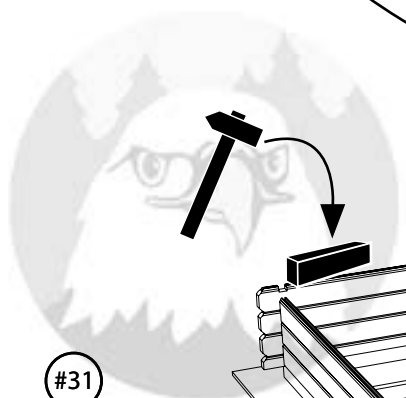
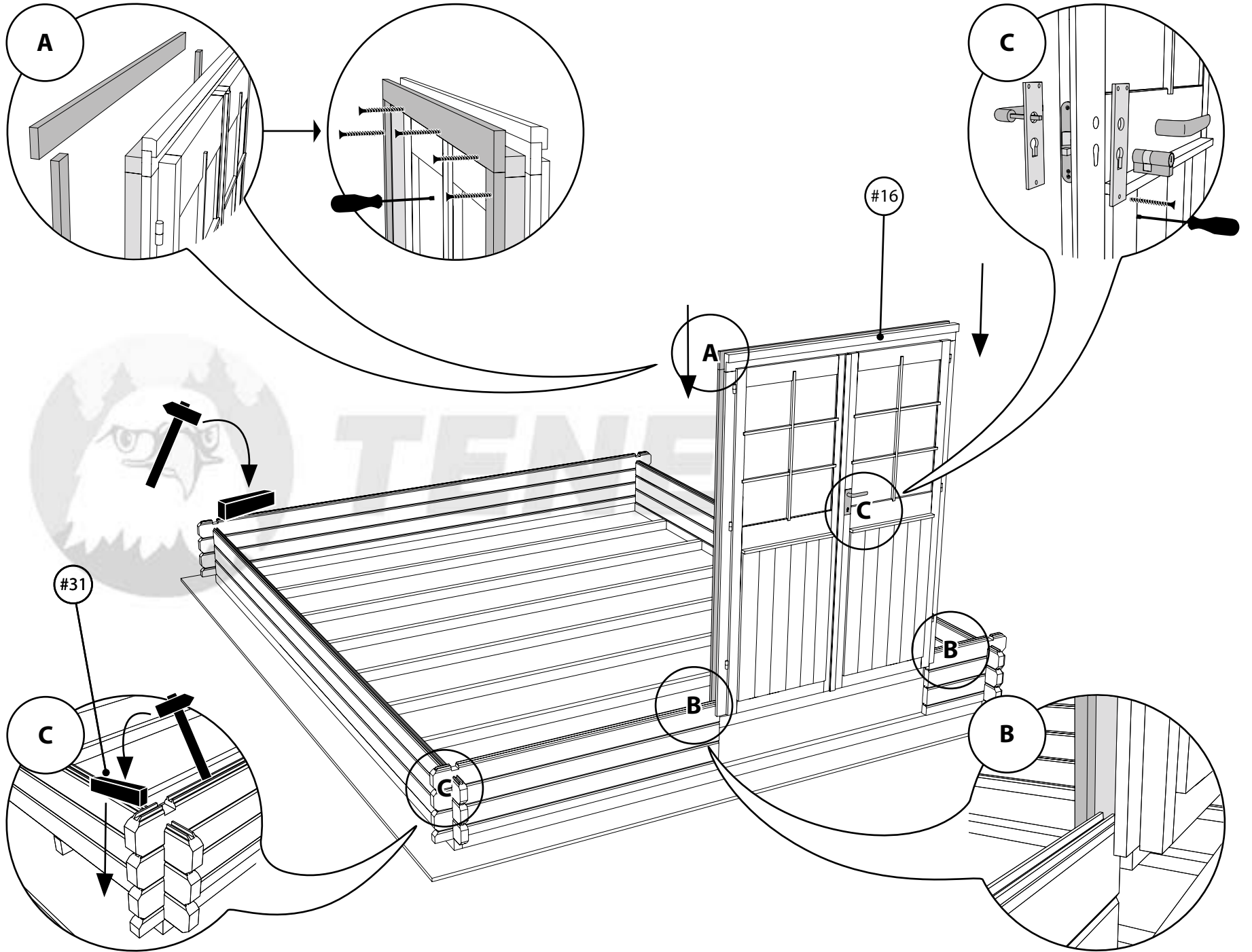
KANSAS 40



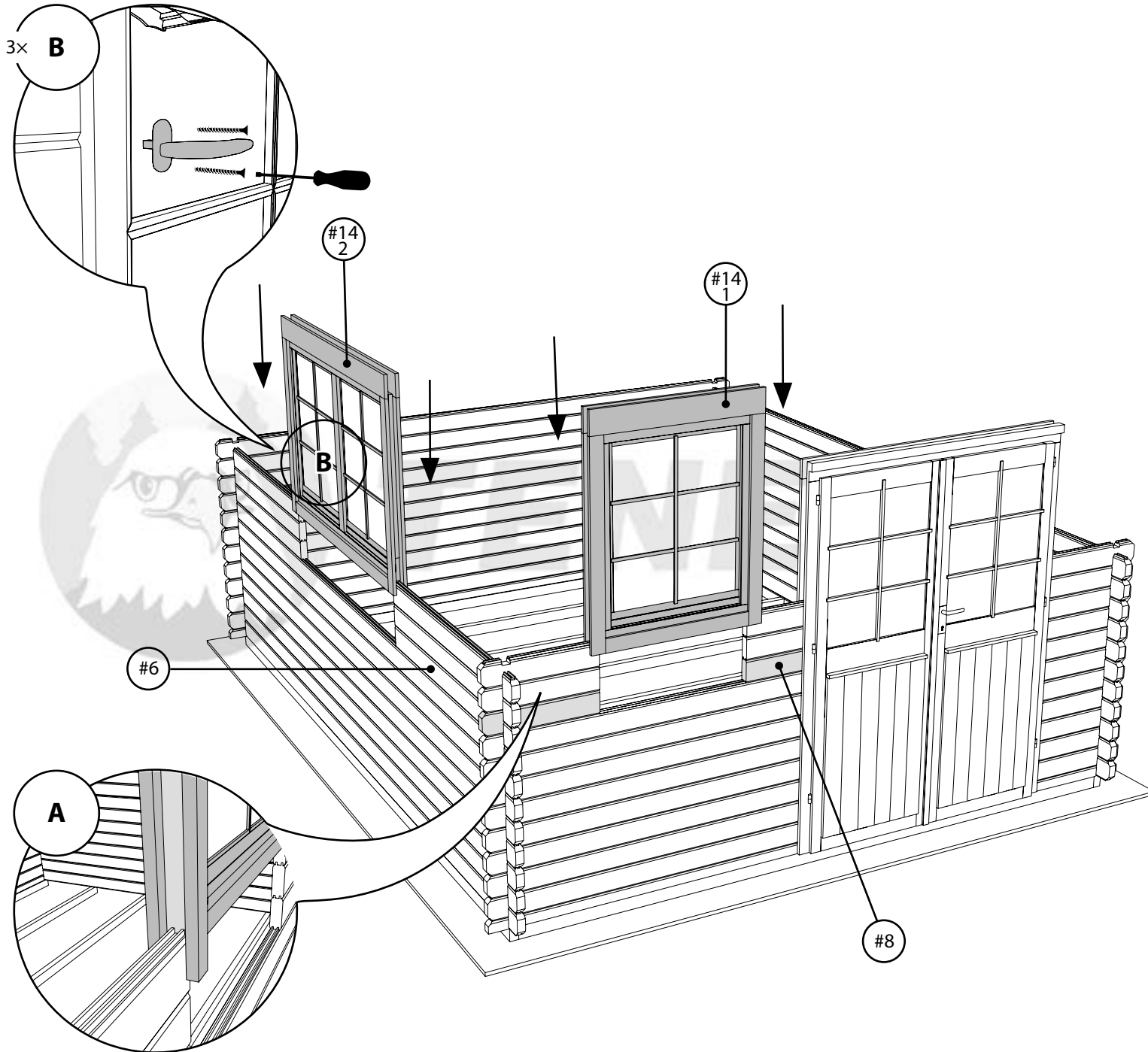
KANSAS 40



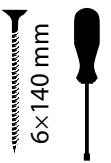
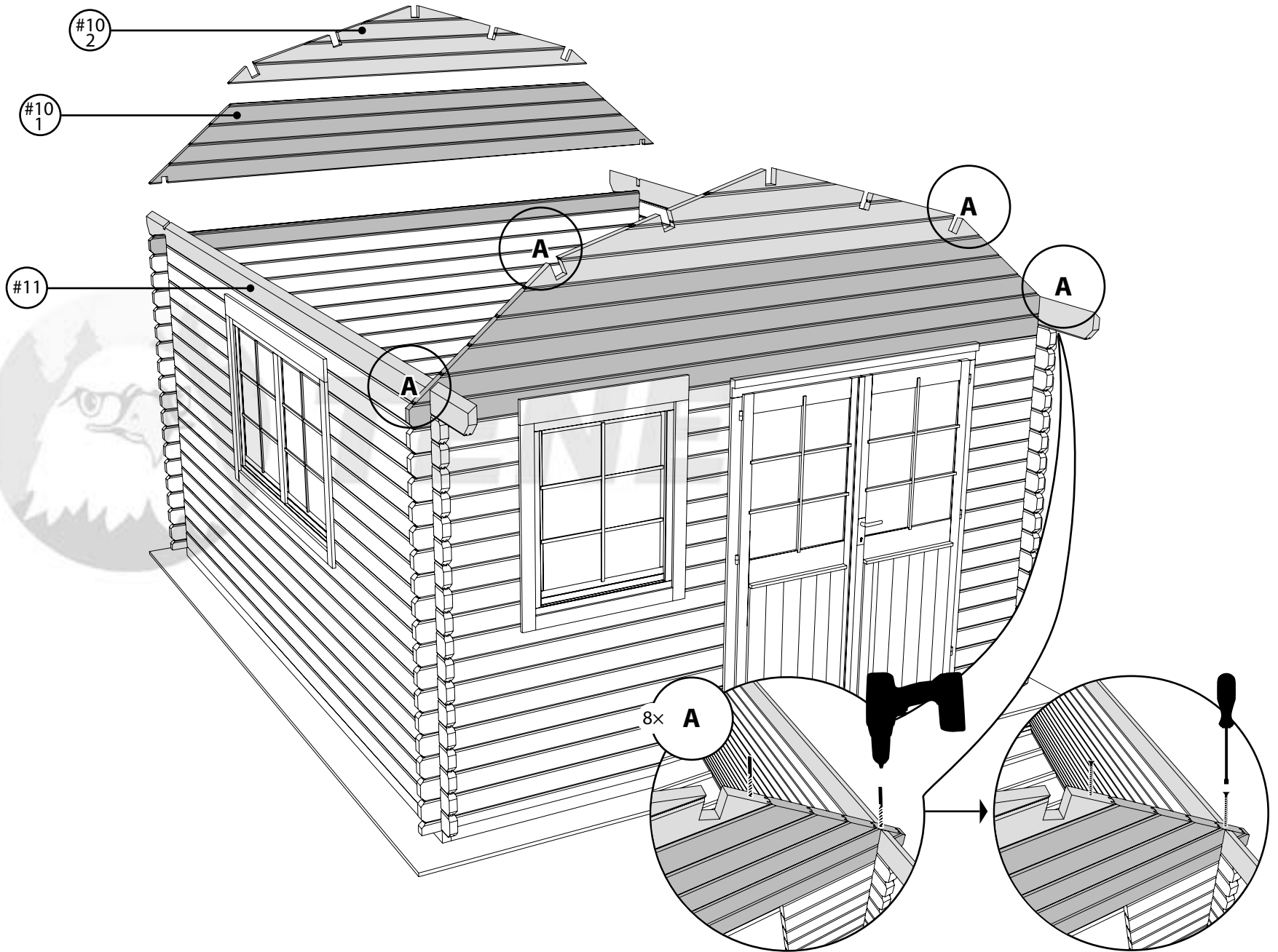
KANSAS 40



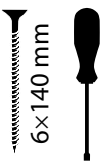
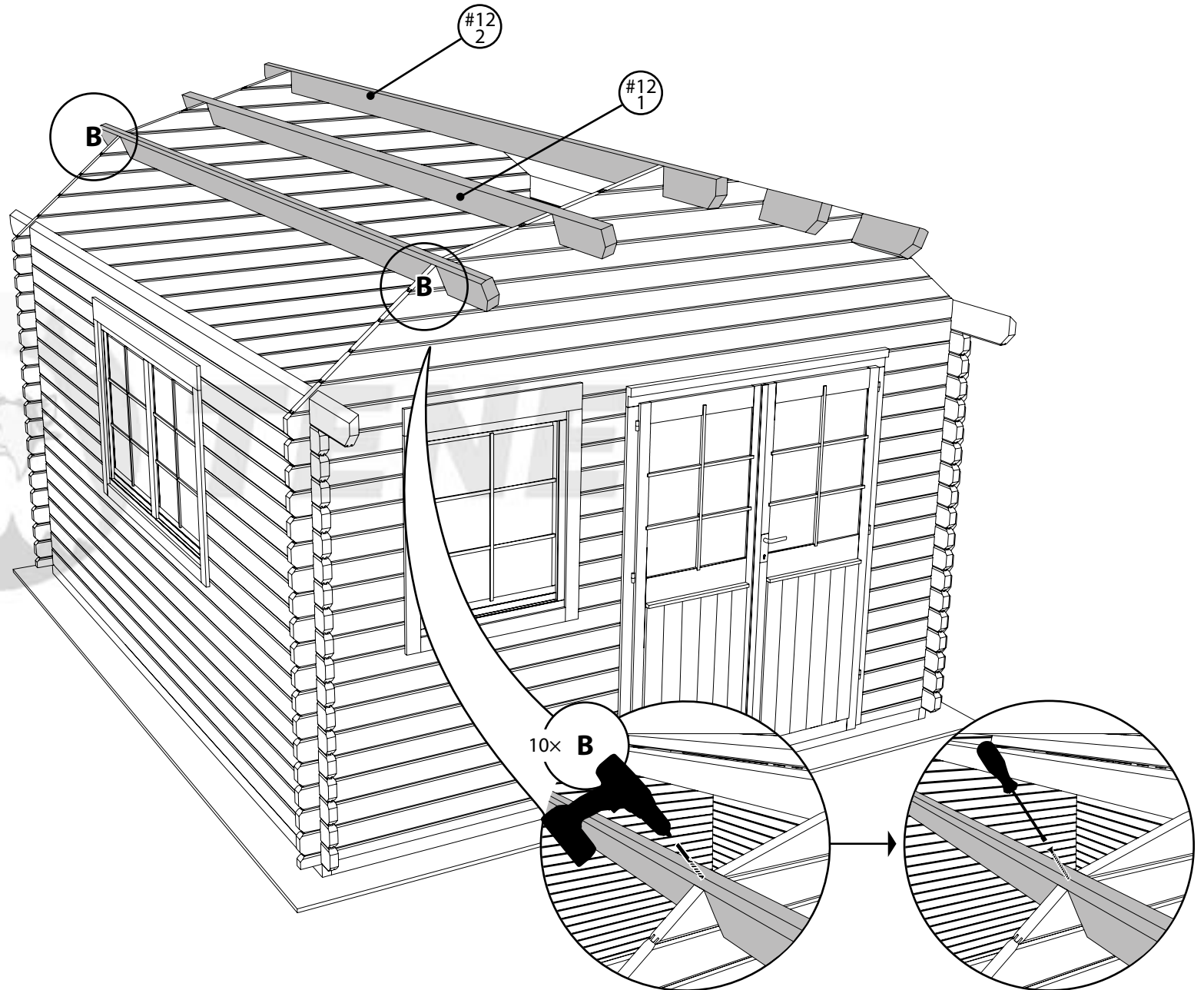
KANSAS 40



KANSAS 40

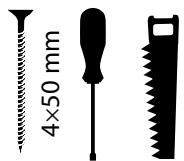
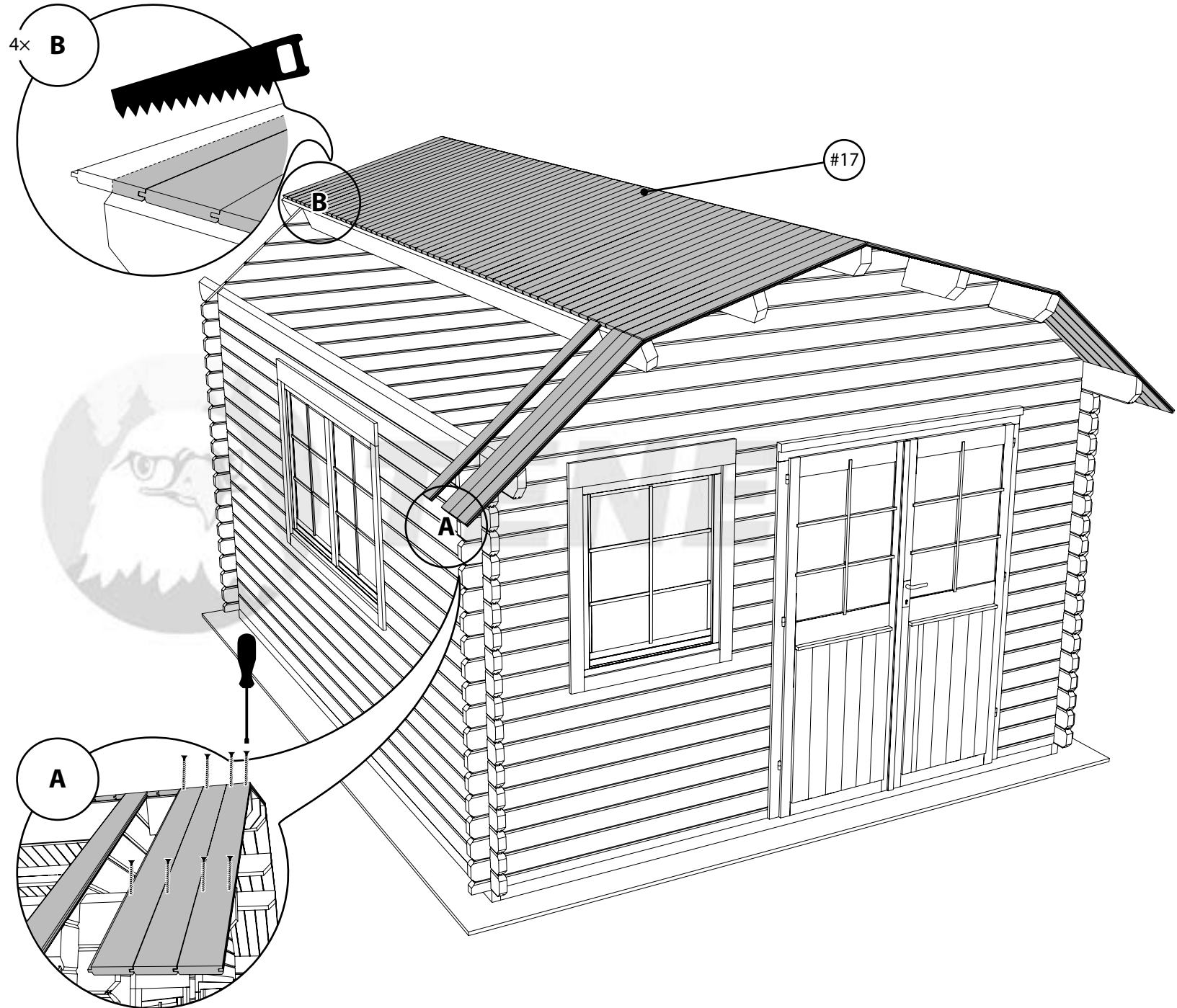


KANSAS 40

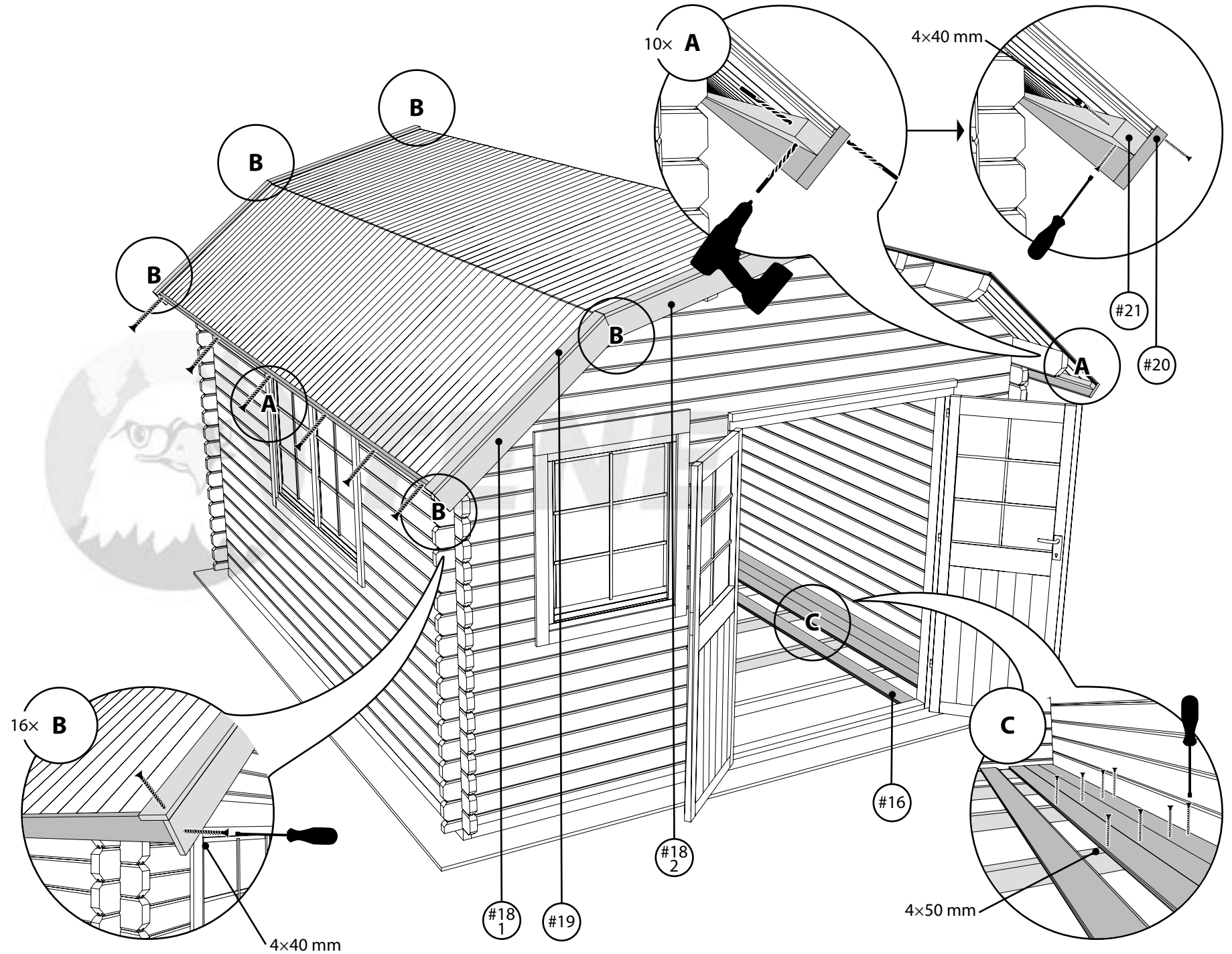




KANSAS 40



KANSAS 40



4x40 mm

#18  
1

#19

#18  
2

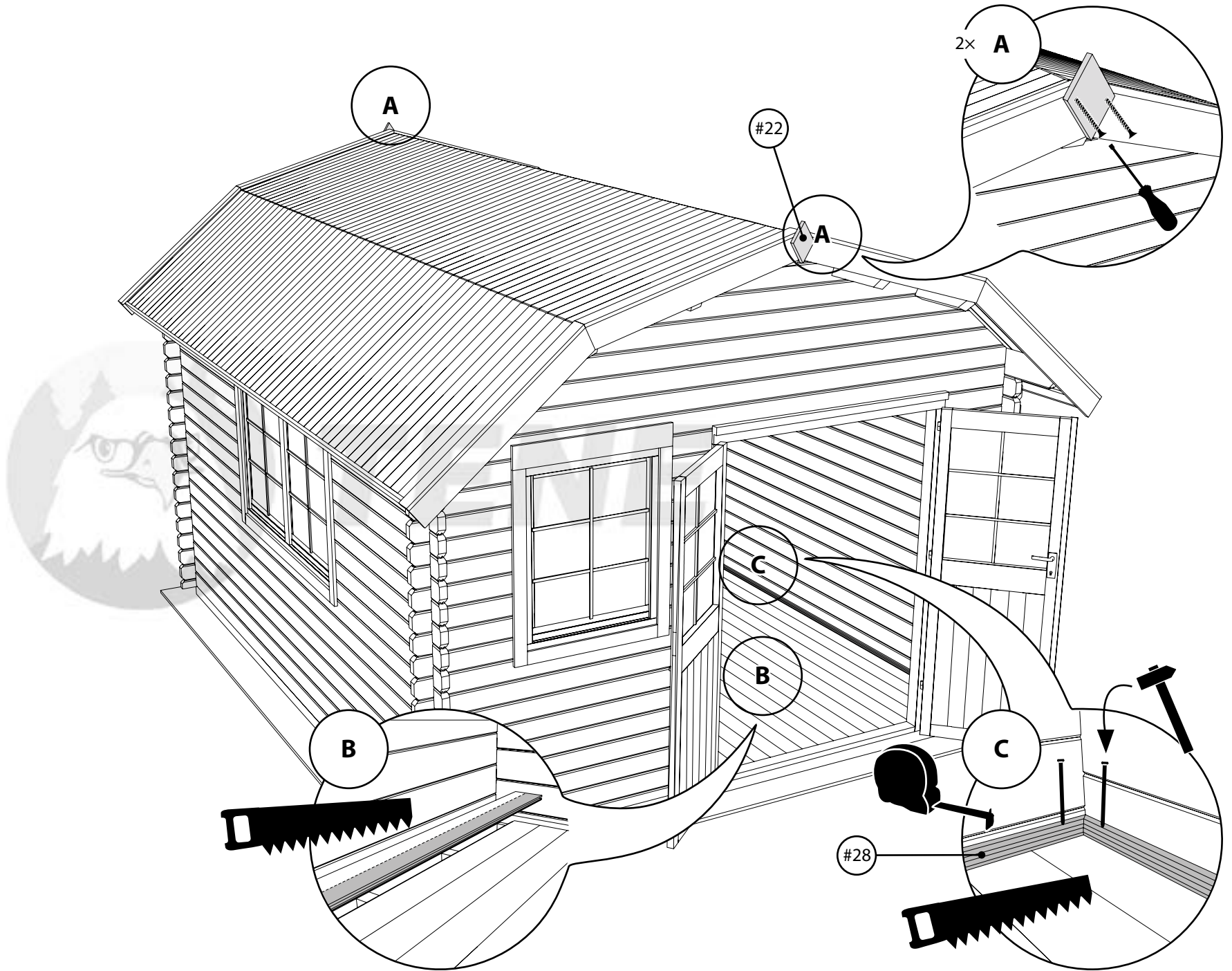
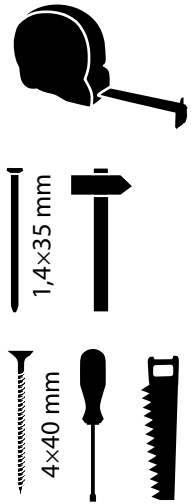
#16

4x50 mm

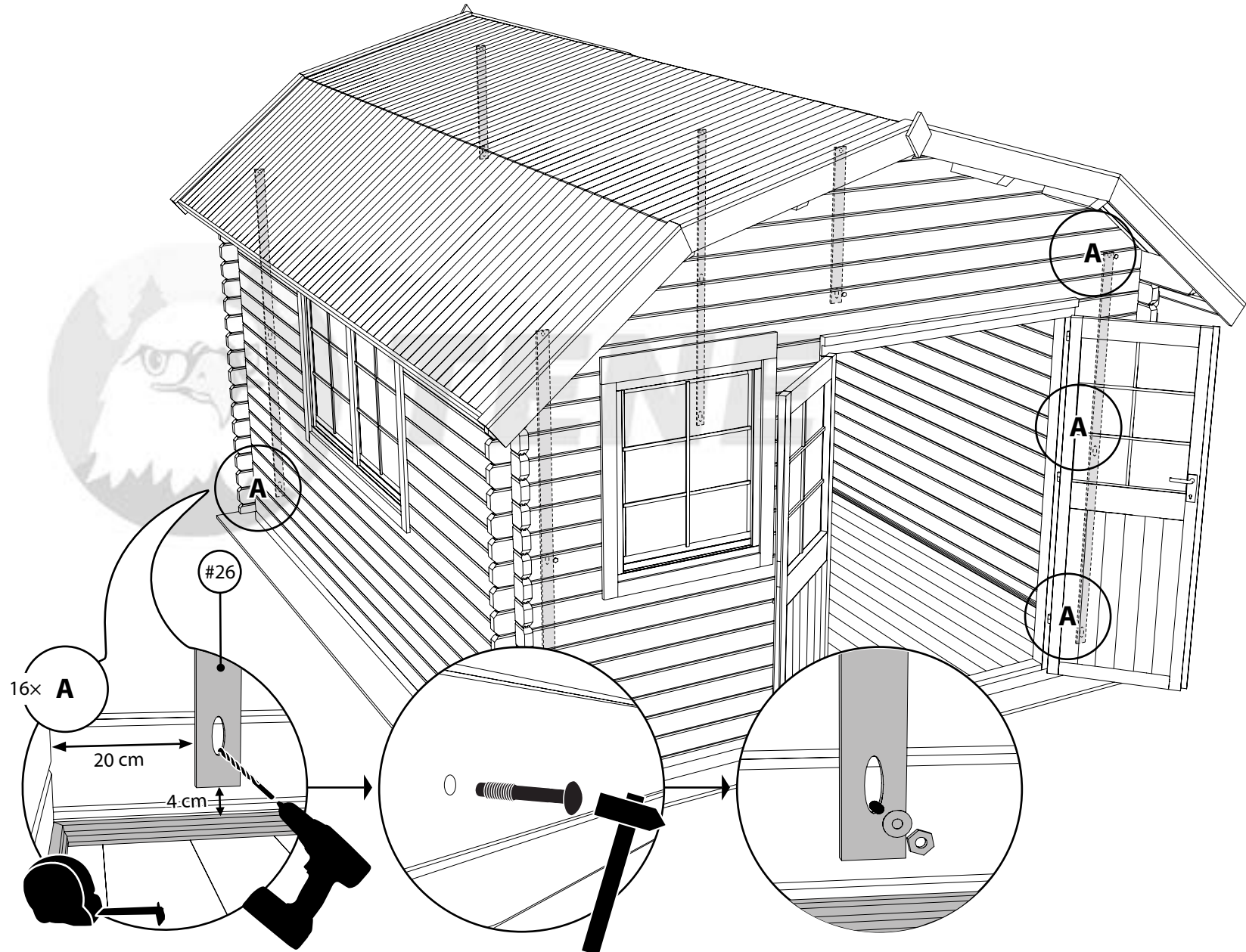
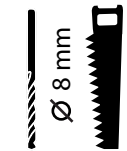
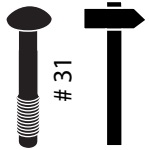
#21

#20

KANSAS 40



KANSAS 40



KANSAS 40

