

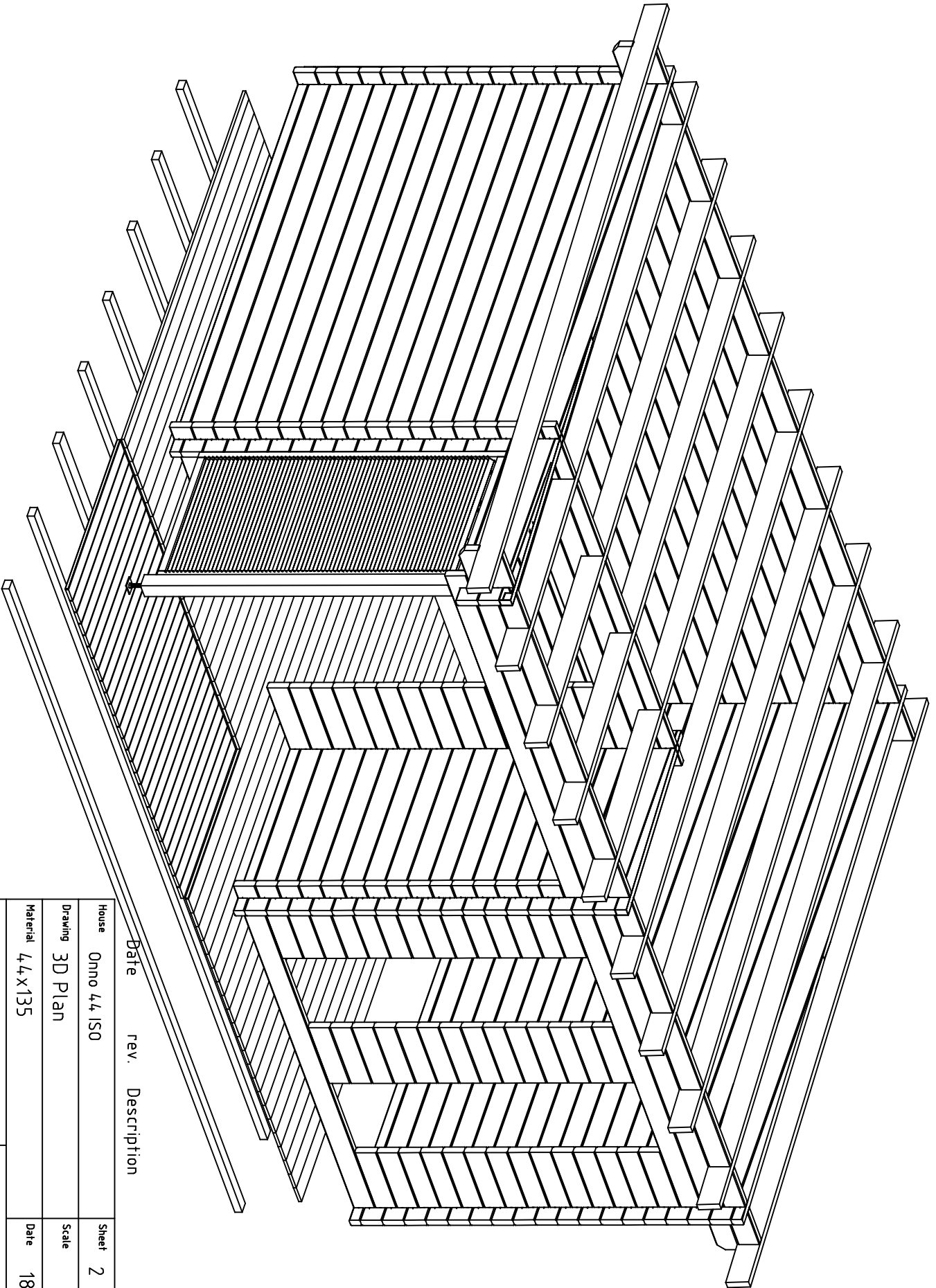
Date rev. Description

House	Onno 44, ISO	Sheet	1
-------	--------------	-------	---

Drawing	3D Plan	Scale	
---------	---------	-------	--

Material	4,4x135	Date	18.11.2019
----------	---------	------	------------

Drawer	RP	File	Onno 44, ISO 3D.dwg
--------	----	------	---------------------



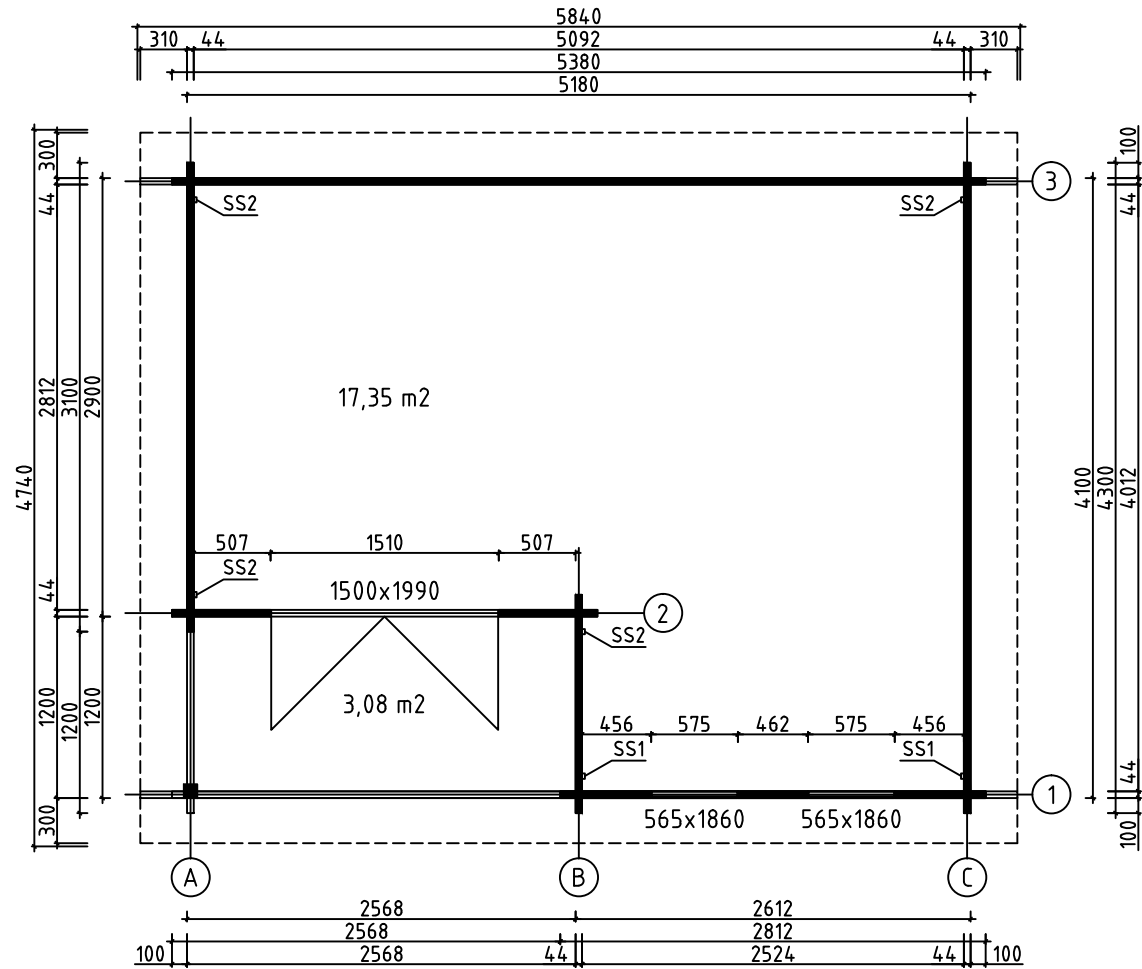
Date rev. Description

House Onno 44, ISO Sheet 2

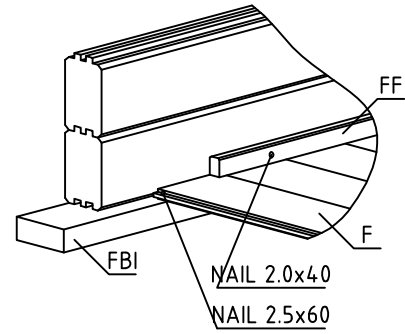
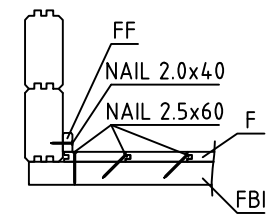
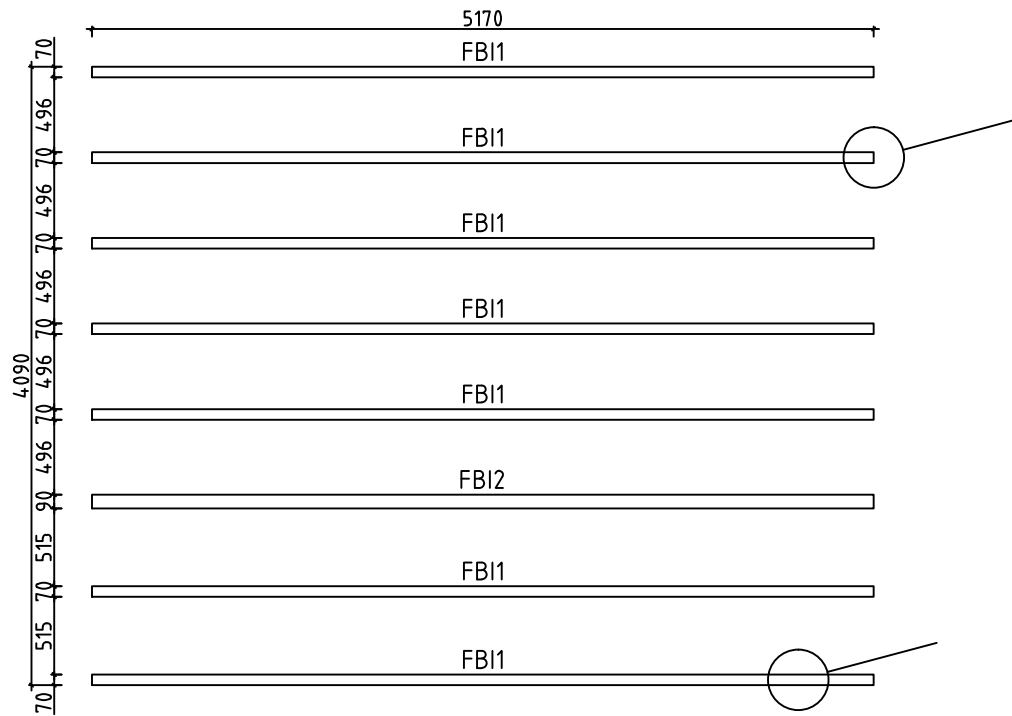
Drawing 3D Plan Scale

Material 4,4x135 Date 18.11.2019

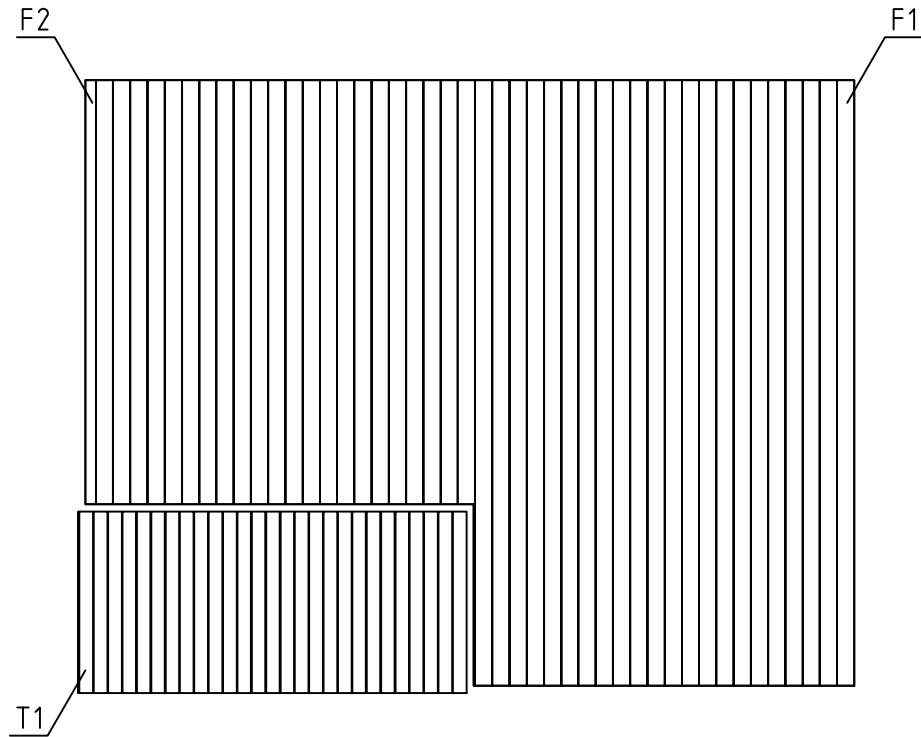
Drawer RP File Onno 44, ISO 3D.dwg



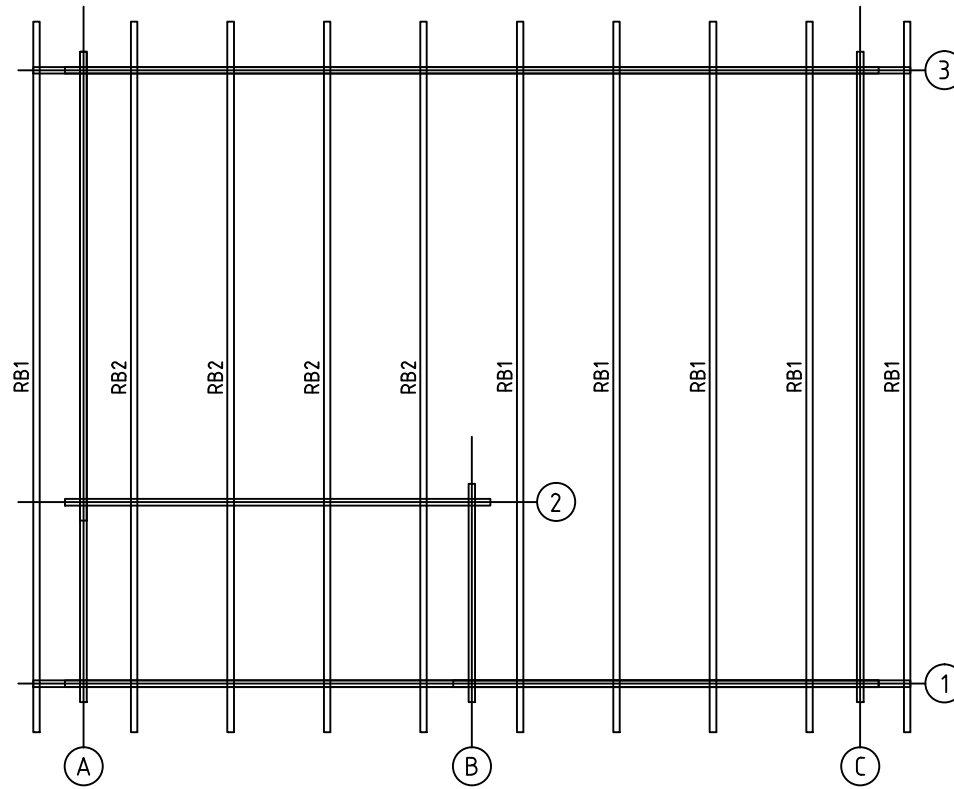
House	Onno 44 ISO	Sheet	3
Drawing	GROUNDPLAN-GRUNDPLAN-PLAN	Scale	1:50
Material	44x135	Date	18.11.2019
Drawer	RP	File	Onno 44 ISO.dwg



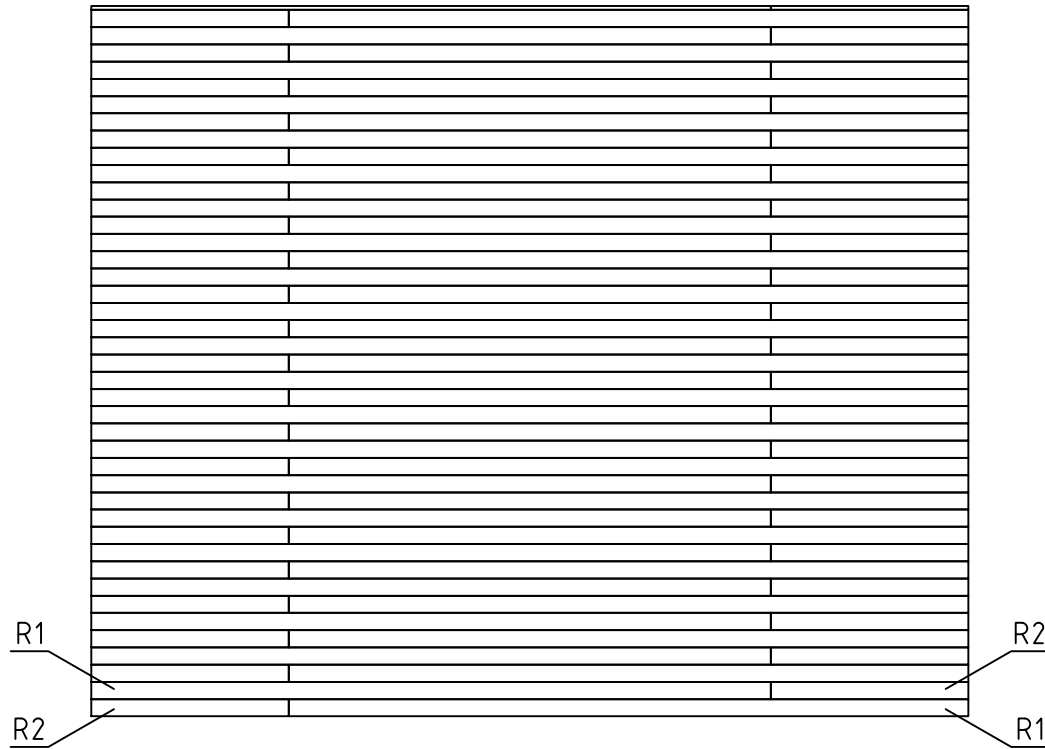
House	Onno 44 ISO	Sheet	4
Drawing	FLOORBEAMS-FUSSBODENBALKEN-VLOERBALKEN	Scale	1:50
Material	70x45, 90x45	Date	18.11.2019
Drawer	RP	File	Onno 44 ISO.dwg



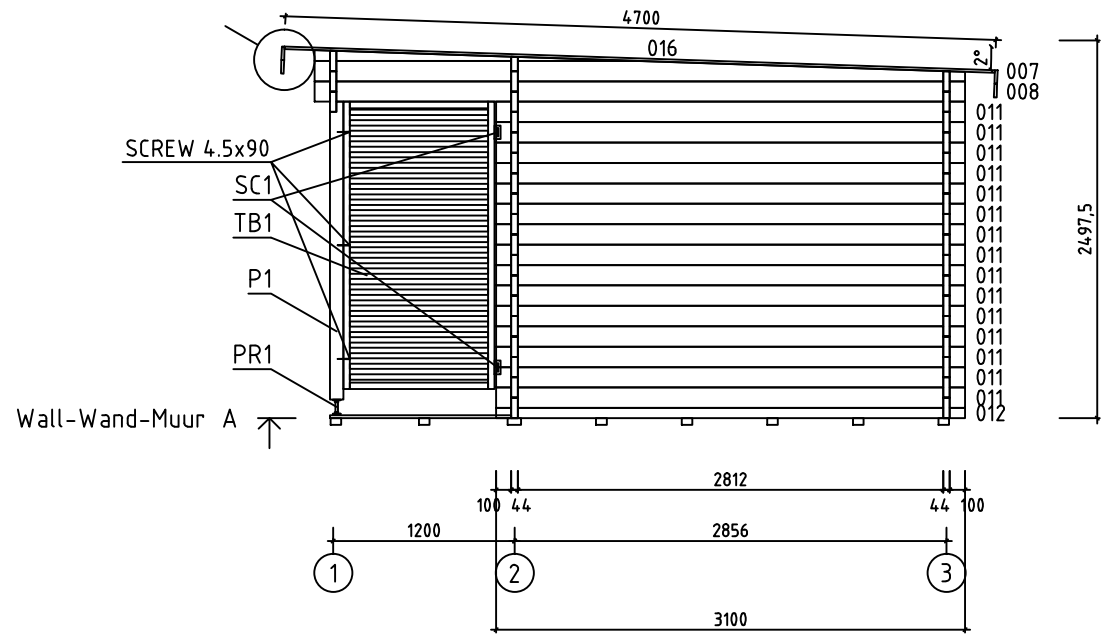
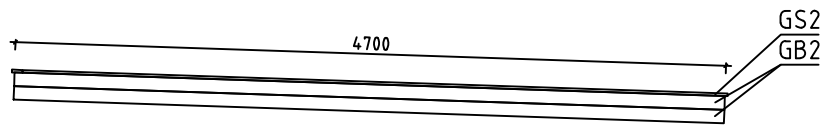
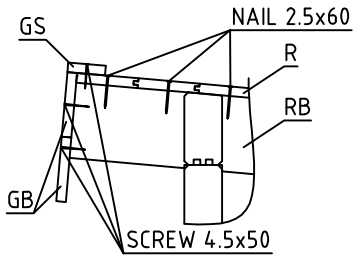
House	Onno 44 ISO	Sheet	5
Drawing	FLOORBOARD-FUSSBODENBRETT-VLOERPLANK	Scale	1:50
Material	18x114, 18x90	Date	18.11.2019
Drawer	RP	File	Onno 44 ISO.dwg



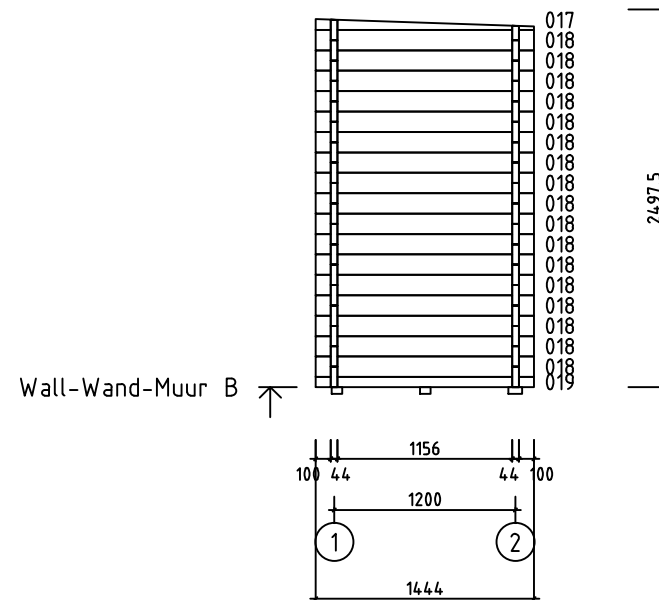
House	Onno 44 ISO	Sheet	6
Drawing	ROOFBEAMS-DACHBALKEN-DAKBALK	Scale	1:50
Material	43x140	Date	18.11.2019
Drawer	RP	File	Onno 44 ISO.dwg



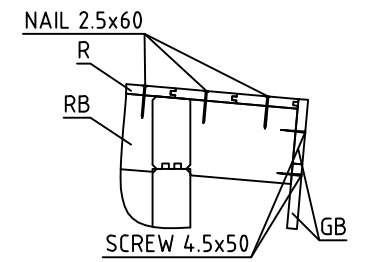
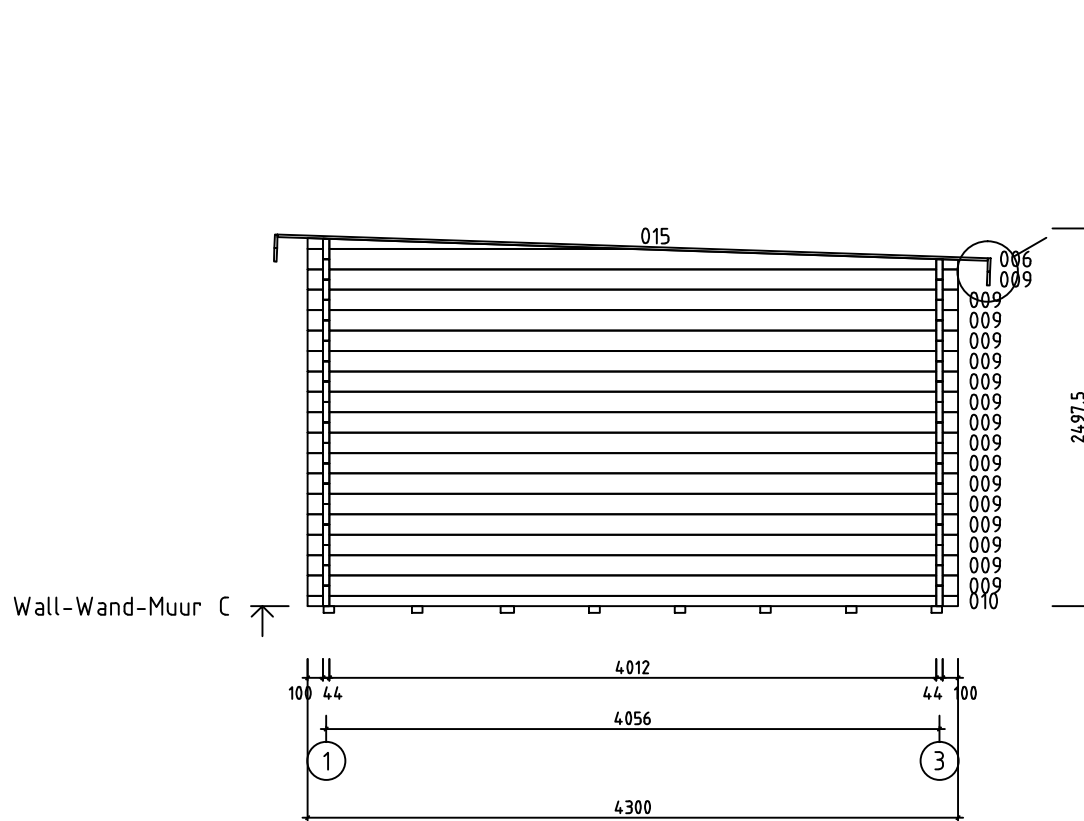
House	Onno 44 ISO	Sheet	7
Drawing	ROOFBOARD-DACHBRETT-DAKPLANK	Scale	1:50
Material	18x114	Date	18.11.2019
Drawer	RP	File	Onno 44 ISO.dwg



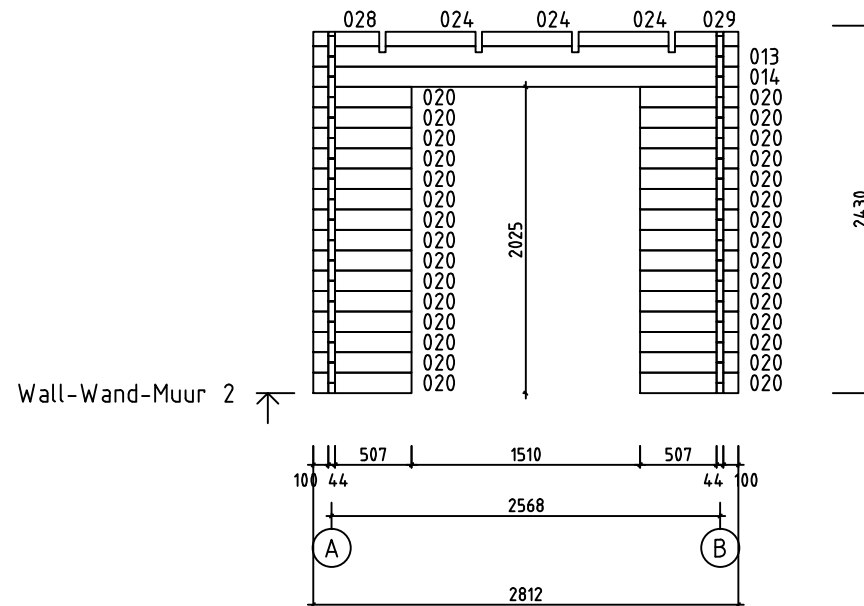
House	Onno 44 ISO	Sheet	8
Drawing	WALL-WAND-MUUR A	Scale	1:50
Material	44x135	Date	18.11.2019
Drawer	RP	File	Onno 44 ISO.dwg



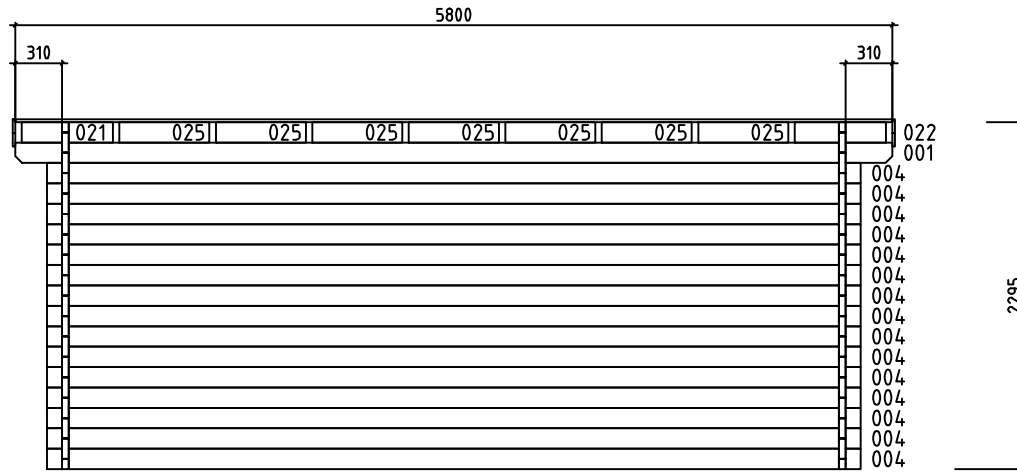
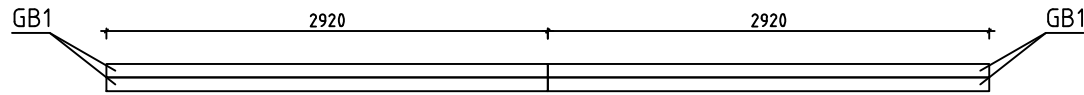
House	Onno 44 ISO	Sheet	9
Drawing	WALL-WAND-MUUR B	Scale	1:50
Material	44x135	Date	18.11.2019
Drawer	RP	File	Onno 44 ISO.dwg



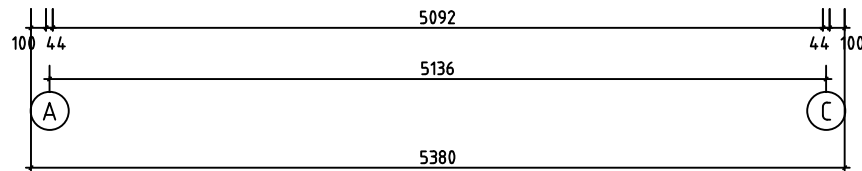
House	Onno 44 ISO	Sheet	10
Drawing	WALL-WAND-MUUR C	Scale	1:50
Material	44x135	Date	18.11.2019
Drawer	RP	File	Onno 44 ISO.dwg



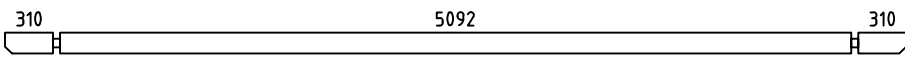
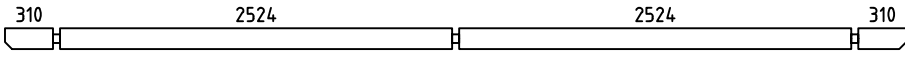
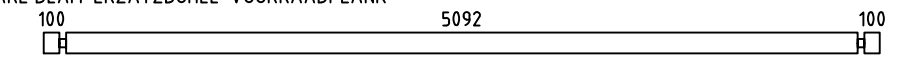
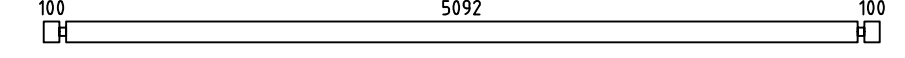
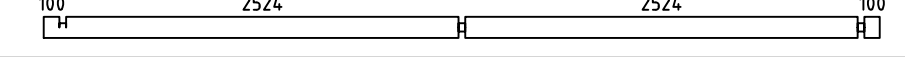
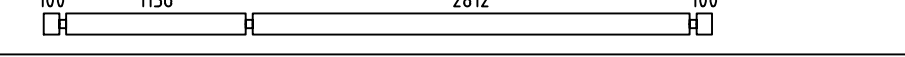
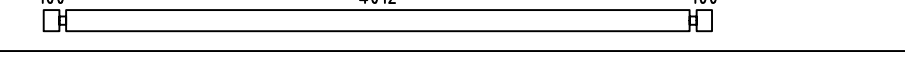
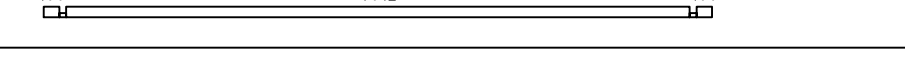
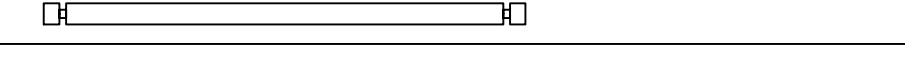
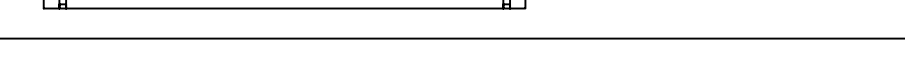
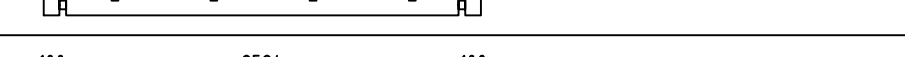
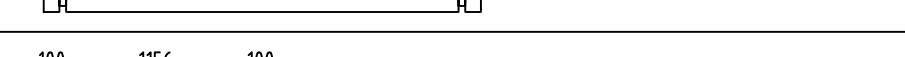
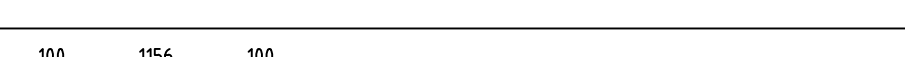
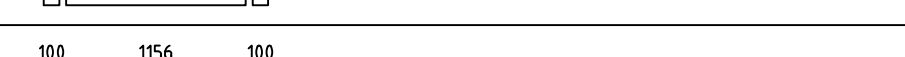
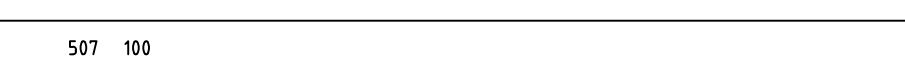
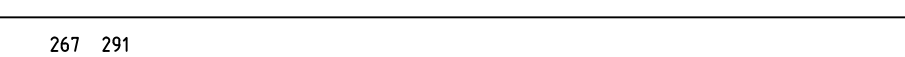
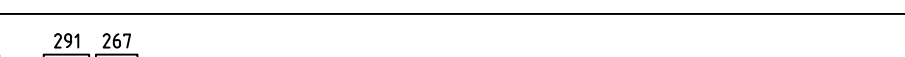
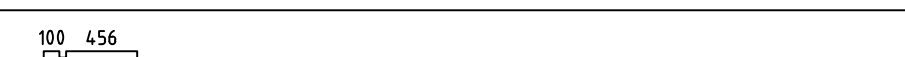
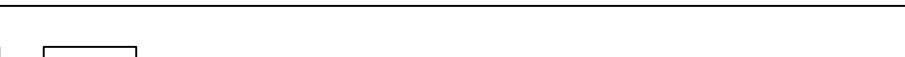
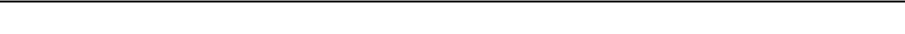
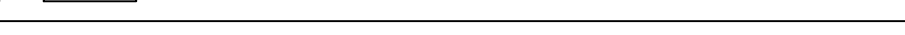
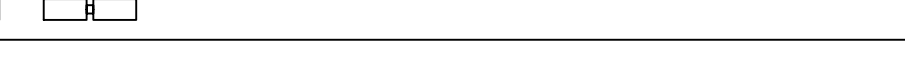


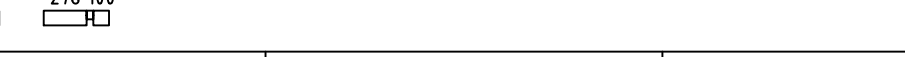
House	Onno 44 ISO	Sheet	12
Drawing	WALL-WAND-MUUR 2	Scale	1:50
Material	44x135	Date	18.11.2019
Drawer	RP	File	Onno 44 ISO.dwg

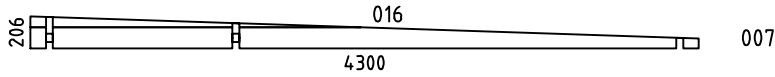
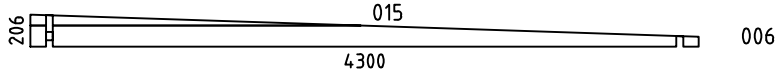

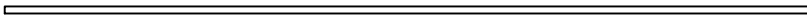

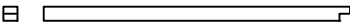
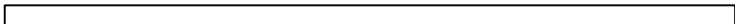
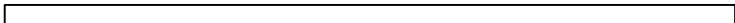












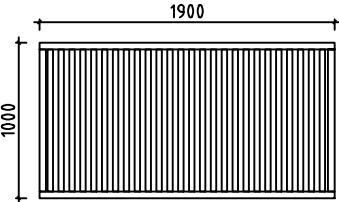













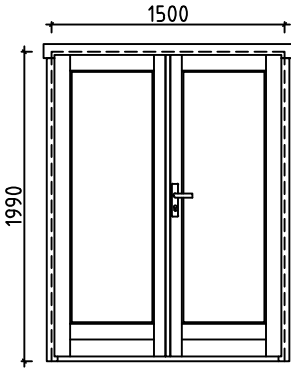
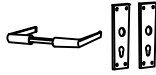



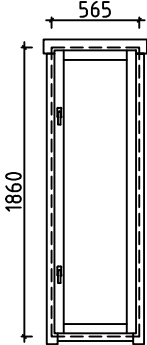

Wall-Wand-Muur 3 ↗



House	Onno 44 ISO	Sheet	13
Drawing	WALL-WAND-MUUR 3	Scale	1:50
Material	44x135	Date	18.11.2019
Drawer	RP	File	Onno 44 ISO.dwg

Pos	Specification-Bestimmung-Omschrijving	Pcs	Profile (mm)	L (mm)
001		PM 1	44x135	5800
002		PM 1	44x135	5800
003	SPARE BEAM-ERZATZBOHLE-VOORRAADPLANK 	1	44x135	5380
004		15	44x135	5380
005		1	44x135	5380
008		1	44x135	4300
009		16	44x135	4300
010		1	44x68	4300
011		15	44x135	3100
012		1	44x68	3100
013		1	44x135	2812
014		2	44x135	2812
017		1	44x71	1444
018		17	44x135	1444
019		1	44x68	1444
020		30	44x135	651
021		2	44x135	602
022		2	44x135	602
023		28	44x135	600
024		3	44x95	595
025		13	44x135	595
026		1	44x135	595
027		14	44x135	462
028		1	44x95	435
029		1	44x95	419

Pos	Specification-Bestimmung-Omschrijving	Pcs	Profile (mm)	L (mm)		
WA-1	 007	1	44x206	4300		
WC-1	 006	1	44x206	4300		
HB	HIT BLOCK-SCHLAGHÖLZER-BLAZENPLANK 	2	44x135	300		
FBI2	FLOORBEAMS-FUSSBODENBALKEN-VLOERBALKEN  IMM	1	90x45	5170		
FBI1	FLOORBEAMS-FUSSBODENBALKEN-VLOERBALKEN  IMM	7	70x45	5170		
P1	POST-PFOSTEN-STUT 	1	90x90	1970		
RB1	ROOFBEAMS-DACHBALKEN-DAKBALK 	6	43x140	4700		
RB2	ROOFBEAMS-DACHBALKEN-DAKBALK 	4	43x140	4700		
F1	FLOORBOARD-FUSSBODENBRETT-VLOERPLANK  or-oder-of	23+1 30+1	18x114 18x88	4005		
F2	FLOORBOARD-FUSSBODENBRETT-VLOERPLANK  or-oder-of	22+1 29+1	18x114 18x88	2805		
R1	ROOFBOARD-DACHBRETT-DAKPLANK  or-oder-of	42+1 55+1	18x114 18x88	4495		
R2	ROOFBOARD-DACHBRETT-DAKPLANK  or-oder-of	42+1 55+1	18x114 18x88	1305		
T1	TERRACE BOARD-TERRASSENBRETT-TERRASSPLANK  IMM	28+1	18x90	1200		
FF1	FLOOR FILLET-FUSSBODENLEISTE-VLOERPLINT 		18x35	19m		
GB1	GABLE BOARD-GIEBELBLENDE-GEVELPLANK 	8	18x90	2920		
GB2	GABLE BOARD-GIEBELBLENDE-GEVELPLANK 	4	18x90	4700		
GS1	ROOF FELT FILLET-GIEBELLEISTE-GEVELLIJST 	2	18x70	2920		
GS2	ROOF FELT FILLET-GIEBELLEISTE-GEVELLIJST 	2	18x70	4666		
SS1	STORM SLAT-STURMLEISTE-STORMLIJST 	2	18x35	2290		
SS2	STORM SLAT-STURMLEISTE-STORMLIJST 	4	18x35	2160		
TB1		1	50x1000	1900		
House	Onno 44 ISO	Material	File	Onno 44 ISO.dwg	Sheet	15

Pos	Specification-Bestimmung-Omschrijving		Pcs	Profile (mm)	L (mm)
SC1	STEEL CORNER-STAHL ECKE-STALEN HOEK		2	35x130	35
PR1	POST REGULATOR-PFOSTEN REGLER-STUT REGELAAR		1		
	SCREWS-SCHRAUBEN-SCHROEF FOR-FÜR-VOOR SS1, SS2, SC1		20	∅6.0	50
	WASHER-SCHEIBE-SCHIJF FOR-FÜR-VOOR SS1, SS2, SC1		20	∅6.0	18
	NAIL-NAGEL-NAGEL FOR-FÜR-VOOR FF1		50	∅2.0	40
	NAIL-NAGEL-NAGEL FOR-FÜR-VOOR F1, F2, R1, R2, T1		1150	∅2.5	60
	SCREWS-SCHRAUBEN-SCHROEF FOR-FÜR-VOOR SC1		4	∅3.5	35
	SCREWS-SCHRAUBEN-SCHROEF FOR-FÜR-VOOR GB1, GB2, GS1, GS2, P1, PR1		110	∅4.5	50
	SCREWS-SCHRAUBEN-SCHROEF FOR-FÜR-VOOR 010, 012, 019, TB1		20	∅4.5	90
	SCREWS-SCHRAUBEN-SCHROEF FOR-FÜR-VOOR 024, 028, 029		10	∅5.0	120
	SCREWS-SCHRAUBEN-SCHROEF FOR-FÜR-VOOR 021, 022, 025, 026, RB1, RB2		60	∅6.0	160
	DOUBLEDOOR-DOPPELTÜR-DUBBELE DEUR (right-rechts-rechts) AST_ISO_PL P		1	1500	1990
			1		
			1		
			1		
			6		
	WINDOW-FENSTER-VENSTER (right-rechts-rechts) AST_ISO_KP P		2	565	1860
			4		

#001	3	5800	1
#002	1	5800	1
#003		5380	1
#004	3	5380	15
#005	1	5380	1
#006	C	4300	1
#007	A	4300	1
#008	A	4300	1
#009	C	4300	16
#010	C	4300	1
#011	A	3100	15
#012	A	3100	1
#013	2	2812	1
#014	1,2	2812	2
#015	C	2128	1
#016	A	2128	1
#017	B	1444	1
#018	B	1444	17
#019	B	1444	1
#020	2	651	30
#021	1,3	602	2
#022	1,3	602	2
#023	1	600	28
#024	2	595	3
#025	1,3	595	13
#026	1	595	1
#027	1	462	14
#028	2	435	1
#029	2	419	1