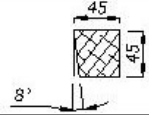


RAUMA 4 Plus

Installation drawings



marking			length	pcs				
AR-1	45x95 FLOOR FRAME		3916	1				
AR-2	45x95 FLOOR FRAME	<i>CUTOUT FOR DRAINAGE</i>	3916	1				
AR-3	45x95 FLOOR FRAME	<i>SPECIAL CROSS-SECTION</i>	1980	1				
AR-4	45x 70 FLOOR FRAME		1980	1				
AR-5	45x95 FLOOR FRAME		1980	13				
TL-1	28x120 DECKING BOARD		800	18				
TL-2	28x120 DECKING BOARD		2070	1				
SR-1	45x145 ROOF RAFTER		4446	2				
RT-2	45x45 ROOF EDGE SUPPORT FRAME		4446	2				
RL-1	18x95 ROOF EDGE BOARD		4446	2				
RL-2	18x95 ROOF EDGE BOARD	<i>CUT TO LENGTH !</i>	~2800	2				
TR-1	45x45 SUPPORT FRAME FOR CEILING BOARD IN SAUNA ROOM		2000	2				
SL-2	15x55 DISTANCE BOARD FOR CEILING		2000	5				
PP-1	15x55 MOULDINGS FOR FLOOR/CEILING		2000	14				
SL-1	14x121 CEILING PANEL		2015	20				
KL-1	29x120 ROOF BOARD		2668	42				

RAUMA 4 Plus

marking			length	pcs				
	DOOR 92x590x1860 BRONZE			1				
	METAL DOOR HANDLE			1				
	GLASS DOOR 92x590x1860 BRONZE			1				
	WINDOW 42x1500x500 BRONZE			1				
	WINDOW 42x500x500 BRONZE			1				

	18x95 MOULDING EXTRA		~2100	2				
UK-1	18x95 DOOR MOULDING		1890	4				
UK-2	18x95 DOOR MOULDING		790	2				
UK-3	15x55 DOOR MOULDING		560	2				
AK-1	18x95 WINDOW MOULDING		1690	2				
AK-2	18x95 WINDOW MOULDING		1460	2				
AK-3	18x95 WINDOW MOULDING		690	2				
AK-4	18x95 WINDOW MOULDING		575	8				
AK-5	18x95 WINDOW MOULDING		460	2				

RAUMA 4 Plus

marking			length	pcs				
PL-1	28x120 FLOOR BOARD SAUNA ROOM		1960	18+2				
PL-2	28x120 FLOOR BOARD FRONT ROOM		995	18+2				
	BENCH MODULE 600x1992			1				
	BENCH MODULE 300x1992			1				
	BENCH MODULE 500x1396			1				
	BENCH MODULE 200x1160			1				
	BENCH MODULE 500x992 FRONT ROOM			1				
	BENCH SKIRT 376x1992			1				
	BENCH SKIRT 376x1441			1				
	BENCH SUPPORT SET 45x45			1				
	OUTDOOR BENCH 563x750			1				
	HEATER GUARD DIY SET			1				
VS-1	GRID WALL 650x1756			1				
NP-1	70x70 CORNER POST		1912	1				

RAUMA 4 Plus

marking			length	pcs				
RN-1	WATER DRAINAGE PROFILE (OPENING RIGHT)			1				
extra	WATER DRAINAGE PROFILE (OPENING LEFT) TO USE AS "MIRROR"			1				
	3 MM DISTANCE DETAIL FOR FLOOR SLOPE		1995	1				
	6 MM DISTANCE DETAIL FOR FLOOR SLOPE		1995	1				
	9 MM DISTANCE DETAIL FOR FLOOR SLOPE		1995	1				
	12 MM DISTANCE DETAIL FOR FLOOR SLOPE		1995	1				

	SPU INSULATION WITH FOIL 30x600x1200			6				
--	--------------------------------------	--	--	---	--	--	--	--

RAUMA 4 Plus

marking			length	pcs				
	SCREW 3,0x40 A2 STAINLESS FOR MOULDINGS			150				
	SCREW 4,8x90 A2 STAINLESS FOR WALL CONNECTIONS (CORNERS)			400				
	SCREW 4,8x55 A2 STAINLESS FOR DECKING BOARDS			200				
	SCREW 3,5x50 AW20 FOR FLOOR BOARDS			200				
	SCREW 4,5x70 FOR ROOF EDGE AND BENCH SUPPORTS			200				
	SCREW 5,0x90 FOR FLOOR FRAME AND WALL CONNECTIONS			200				
	SCREW 5,0x120 FOR WALL CONNECTIONS			30				
	SCREW 6,0x180 FOR ROOF RAFTERS AND WALL CONNECTIONS			30				
	NAIL 75 MM FOR ROOF BOARD			~500				
	NAIL 40 MM FOR CEILING BOARD			~300				
	SCREW 4,8x40 FOR L-IRON			10				
	L-IRON 30x30x130 FOR GRID WALL			3				
	WASHER M5 FOR L-IRON 30x30x130 (GRID WALL)			3				
	ADJUSTABLE LEVELLING BOLT 60x60 FOR CORNER POST			1				
	VENTILATION LOUVER WOOD D100			2				
	VENTILATION GRID METAL D100			2				
	FOIL TAPE			1				

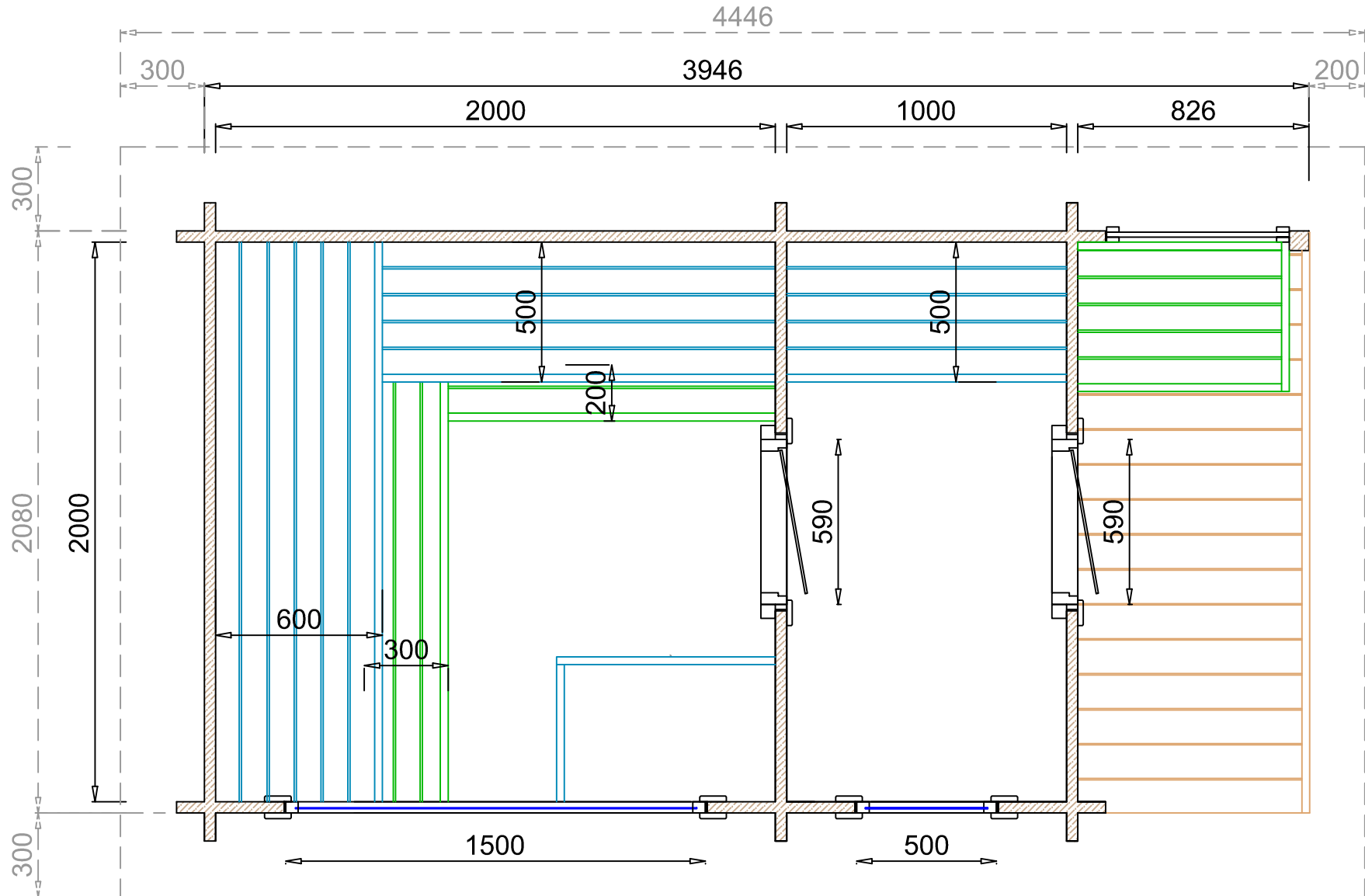
40x146 wall logs

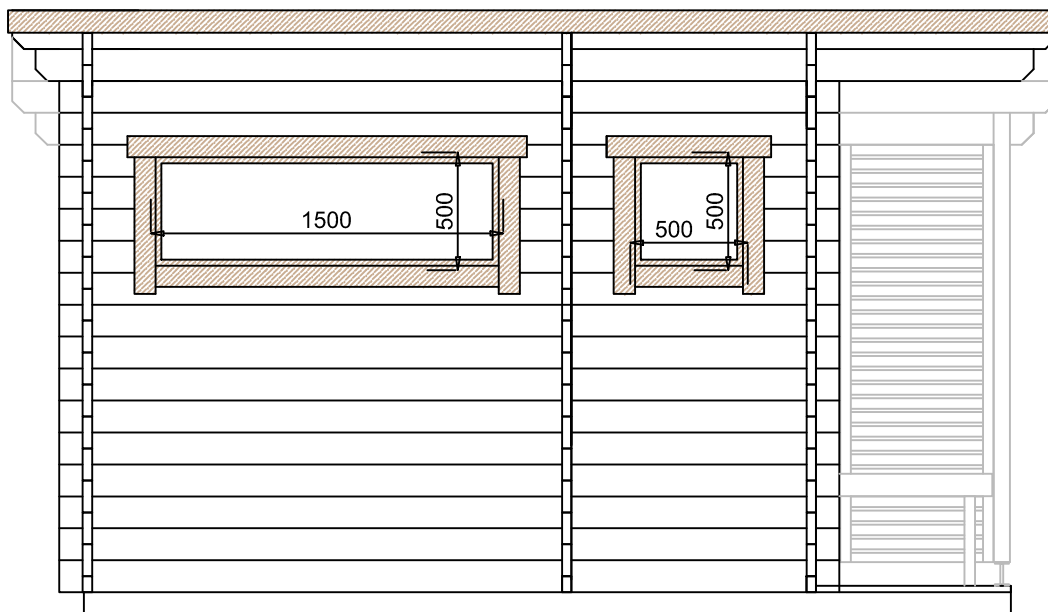
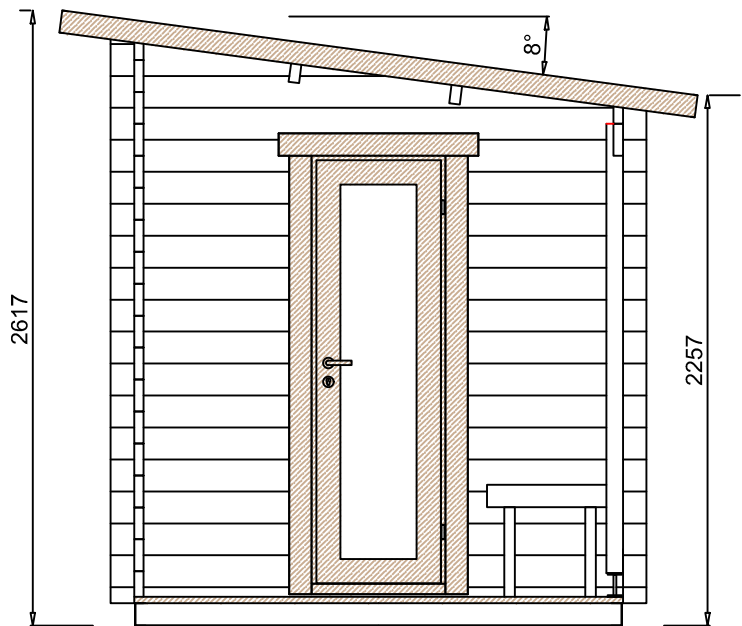
		extra	1 tk	
		01	2 tk	
		02	2 tk	
		03	26 tk	
		04	17 tk	
		04A	3 tk	<p>STARTING LOG 68 MM</p>

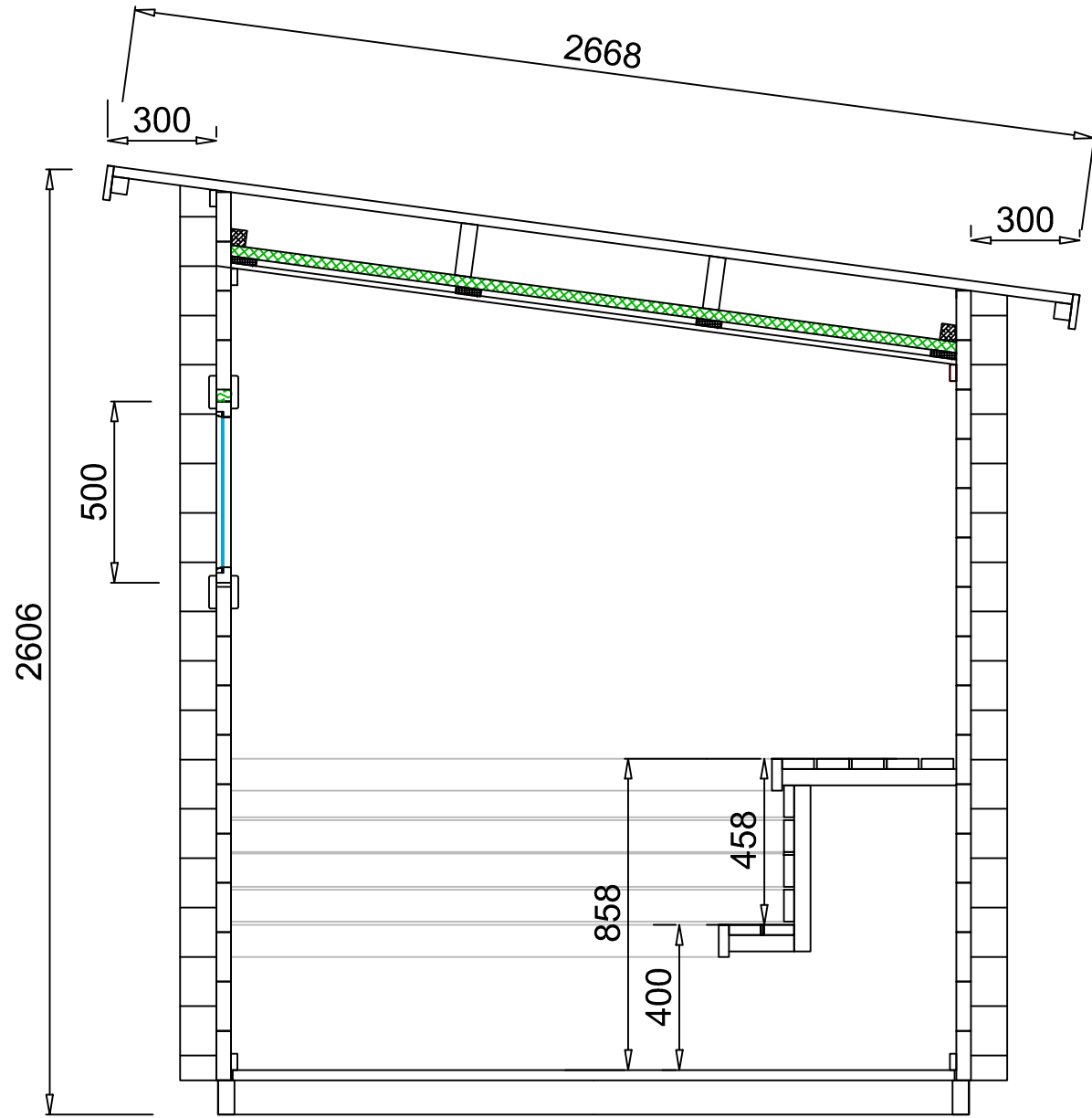
40x146 wall logs

		04C	3 tk	
		05C	3 tk	
		06	56 tk	
		07C	3 tk	
		08	4 tk	
		09	8 tk	

RAUMA 4 PLUS

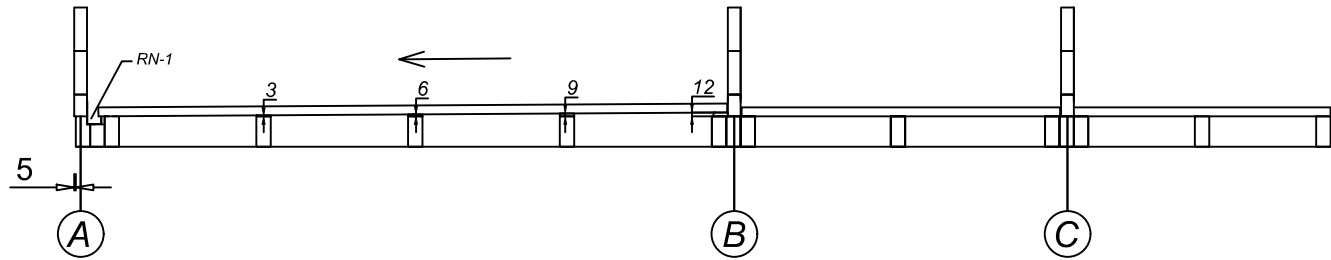




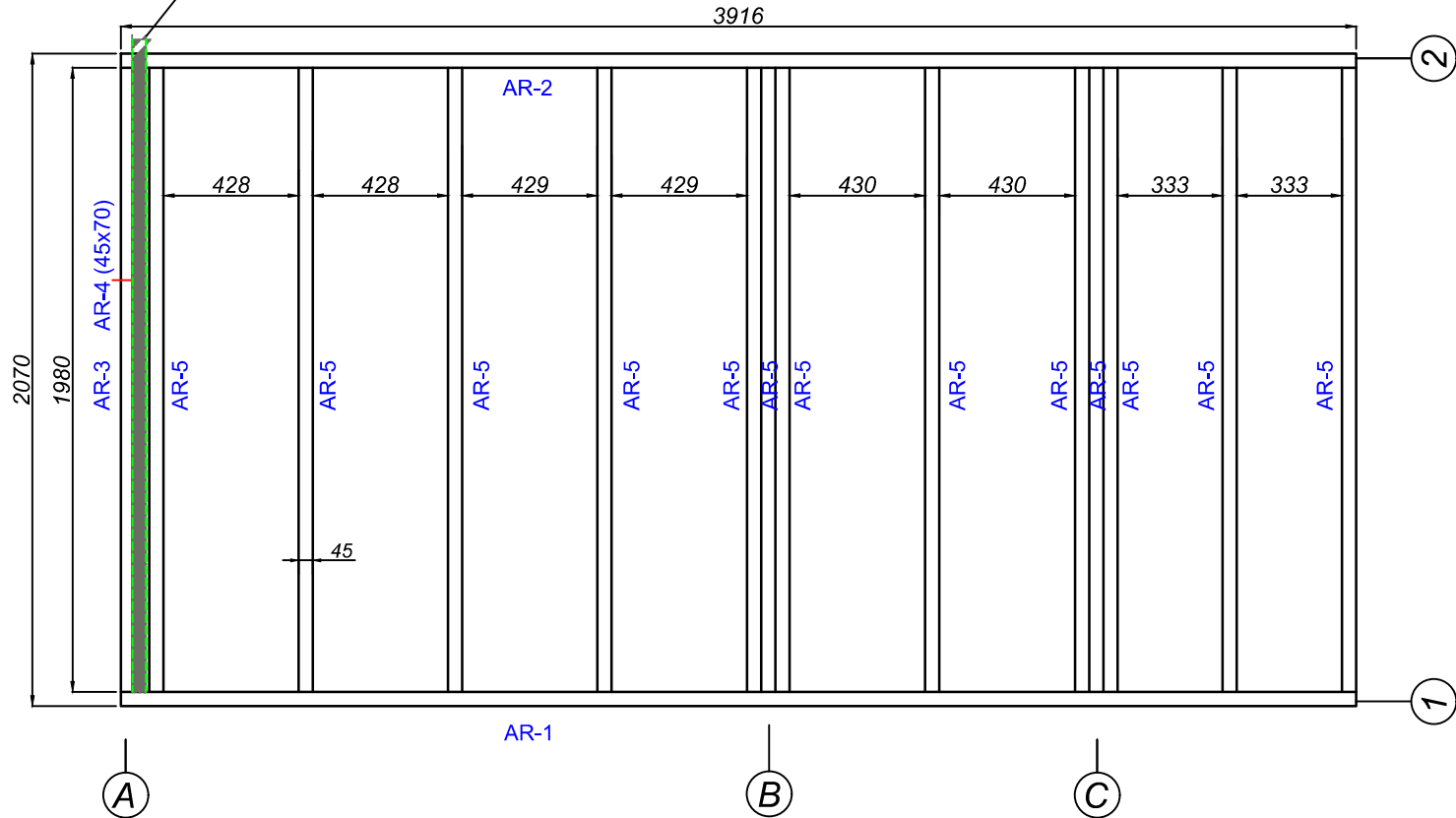
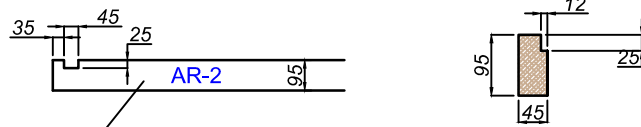


FLOOR FRAME 45x95

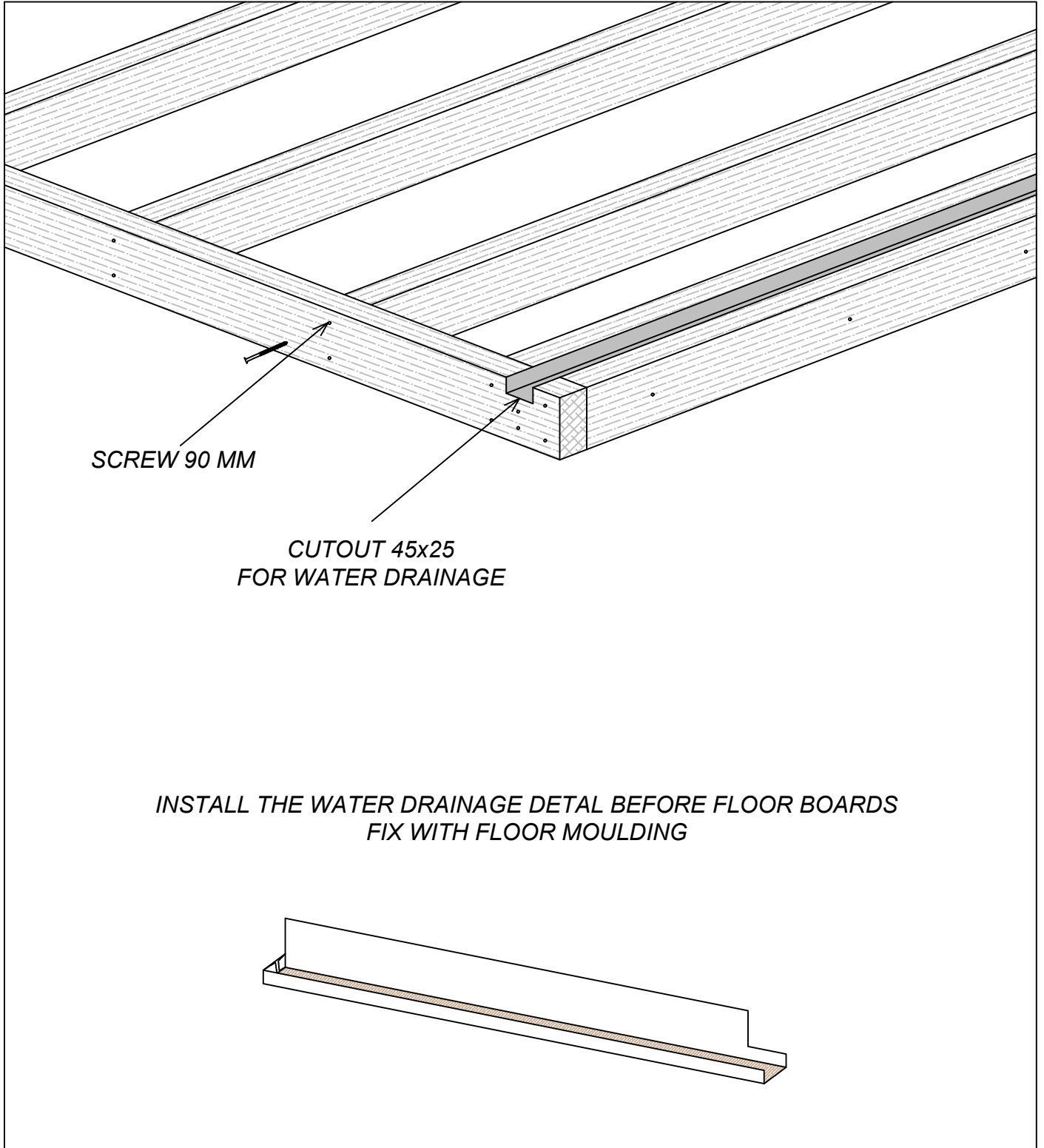
ADD DISTANCE BOARDS UNDER THE FLOOR BOARDS
FOR FLOOR SLOPE



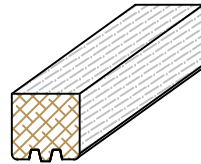
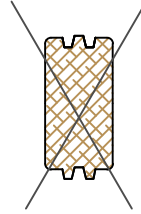
AR-3 CROSS-SECTION



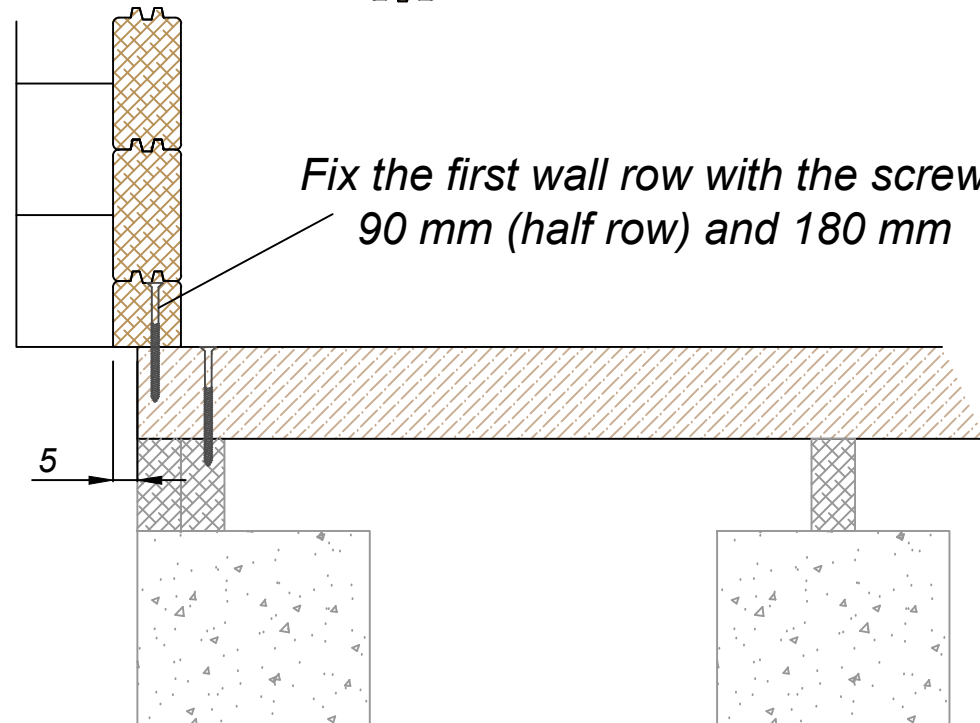
FLOOR FRAME



FIRST ROW



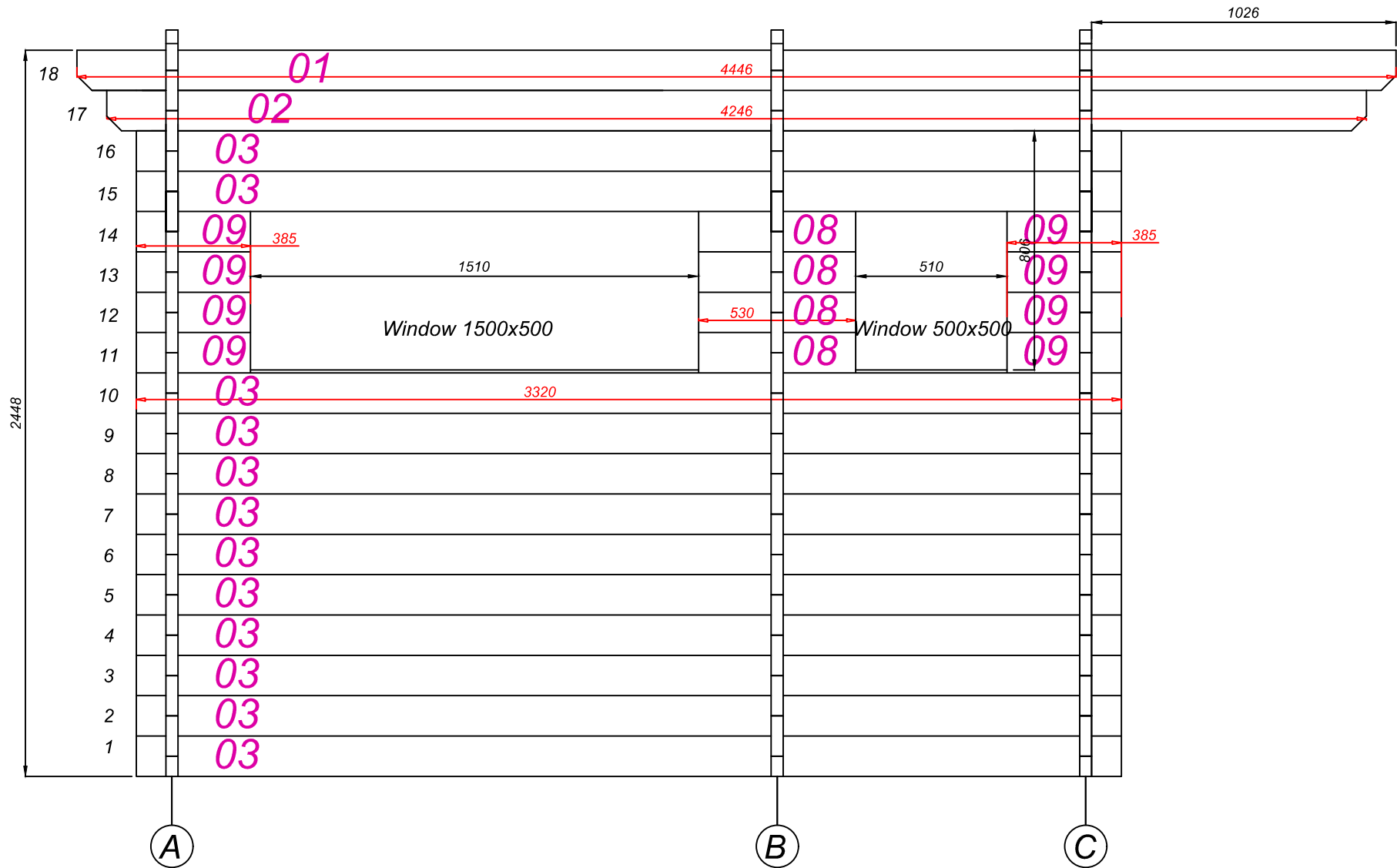
Use rubber hammer and hammer block



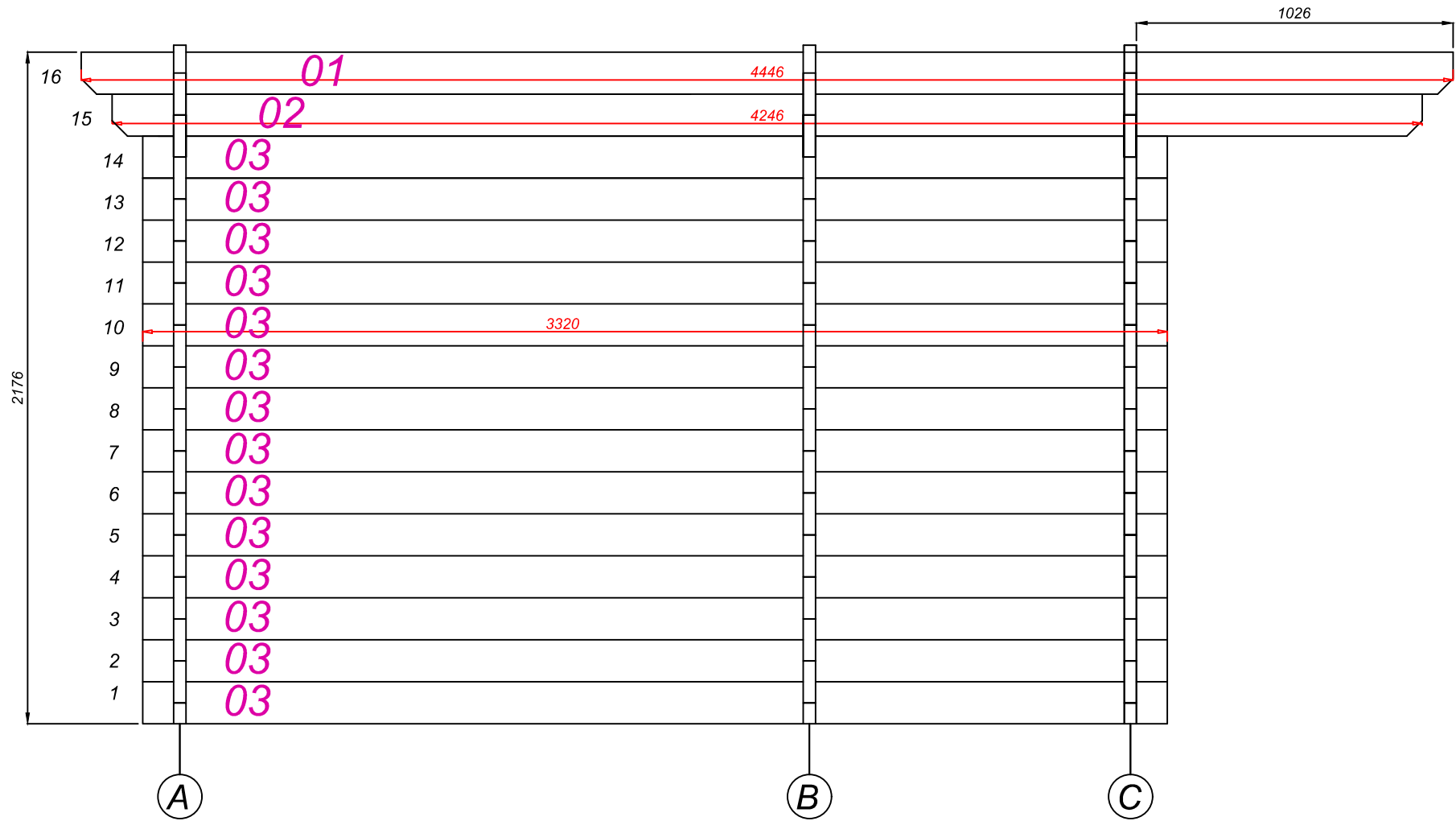
**IN EACH CONNECTION USE 90 MM STAINLESS SCREWS
(TO PROTECT THE BUILDING FOR WIND)**



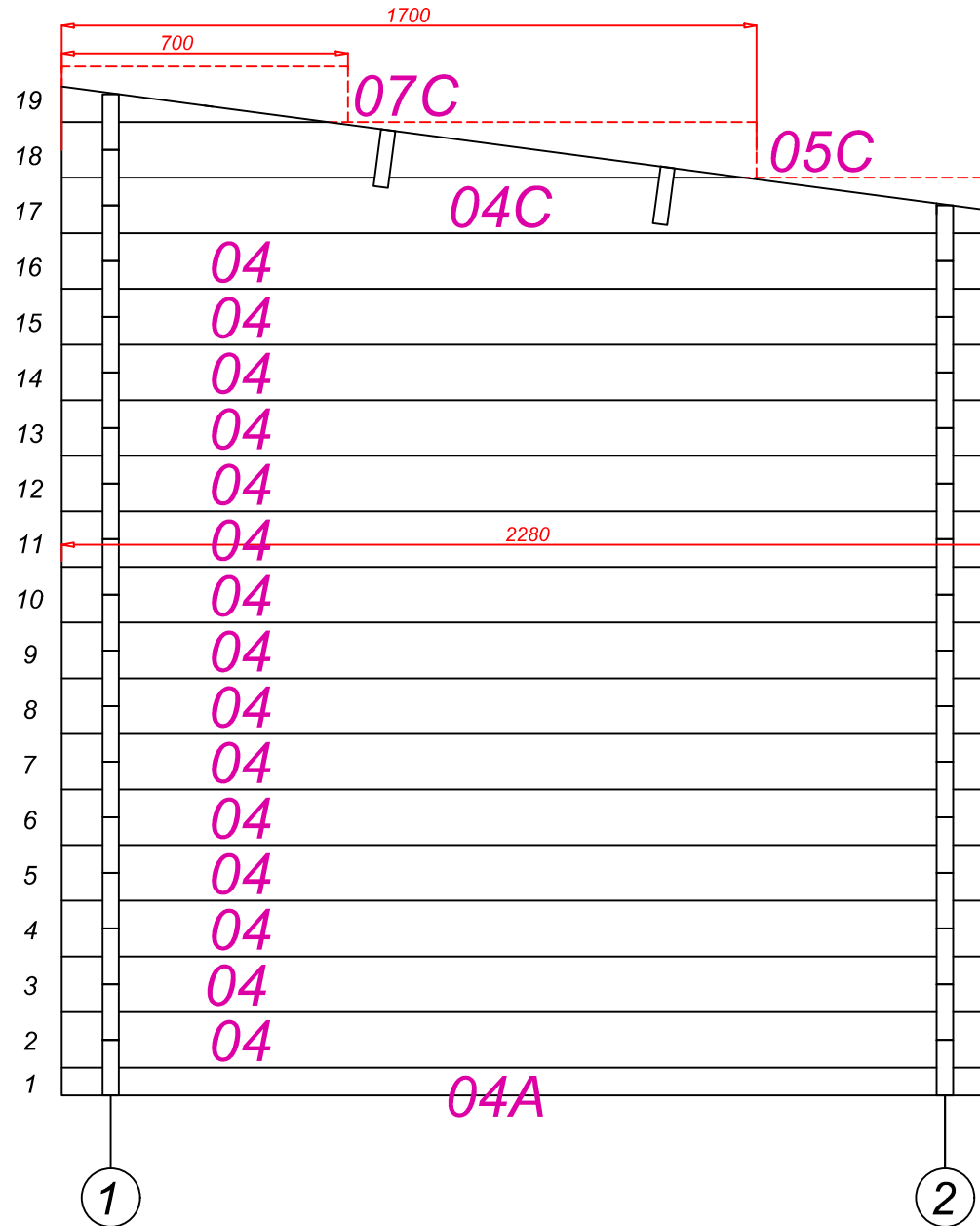
WALL 1



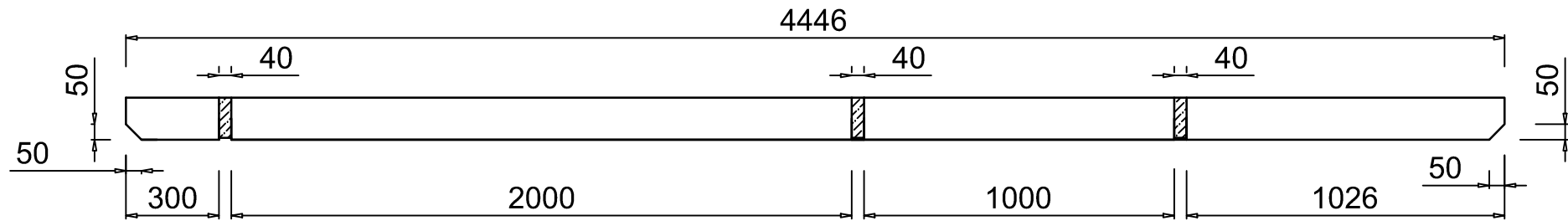
WALL 2



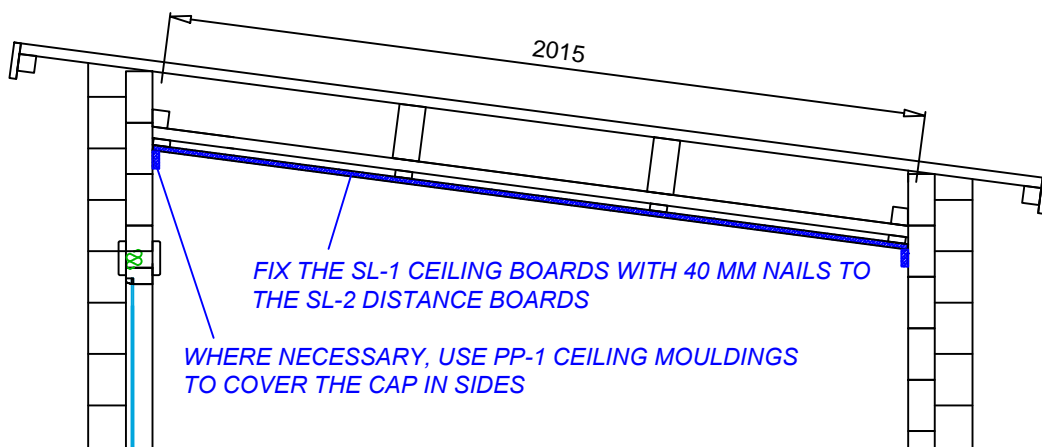
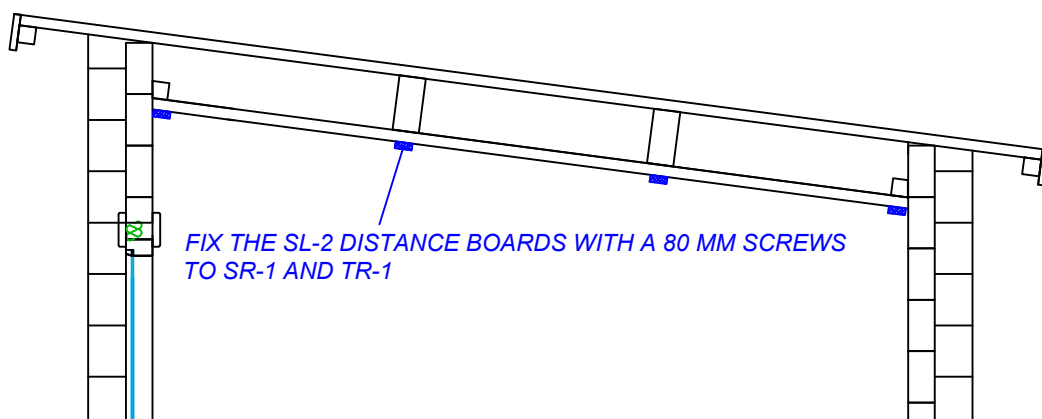
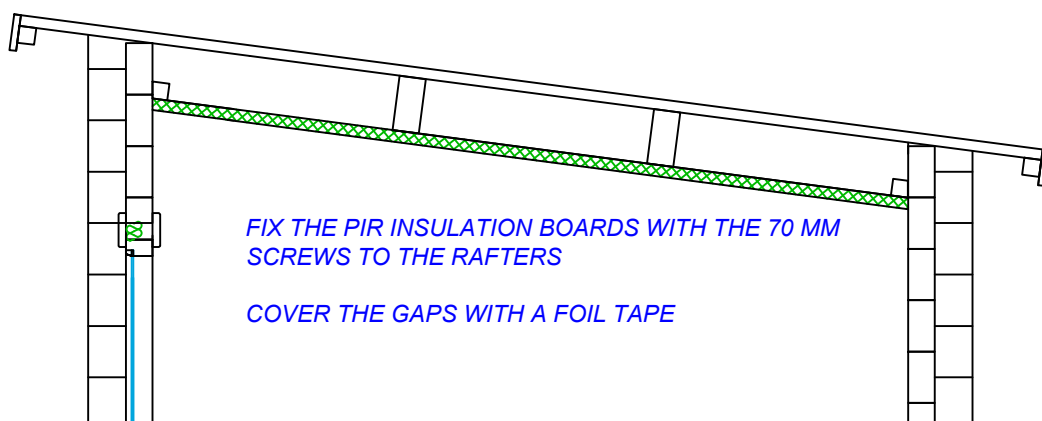
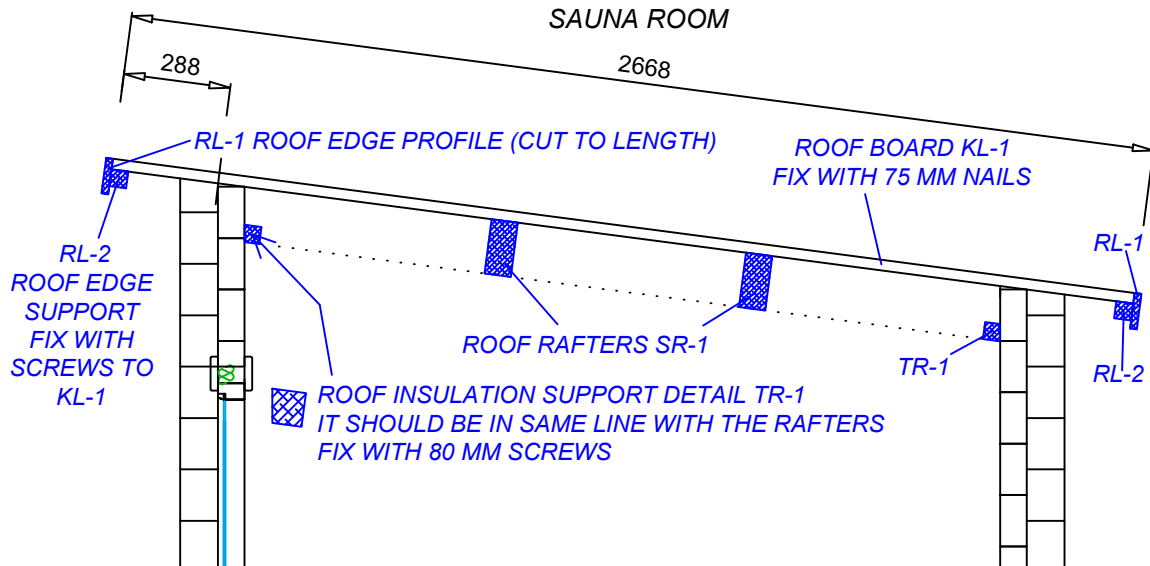
WALL A



ROOF RAFTER SR-1
(2 pcs)

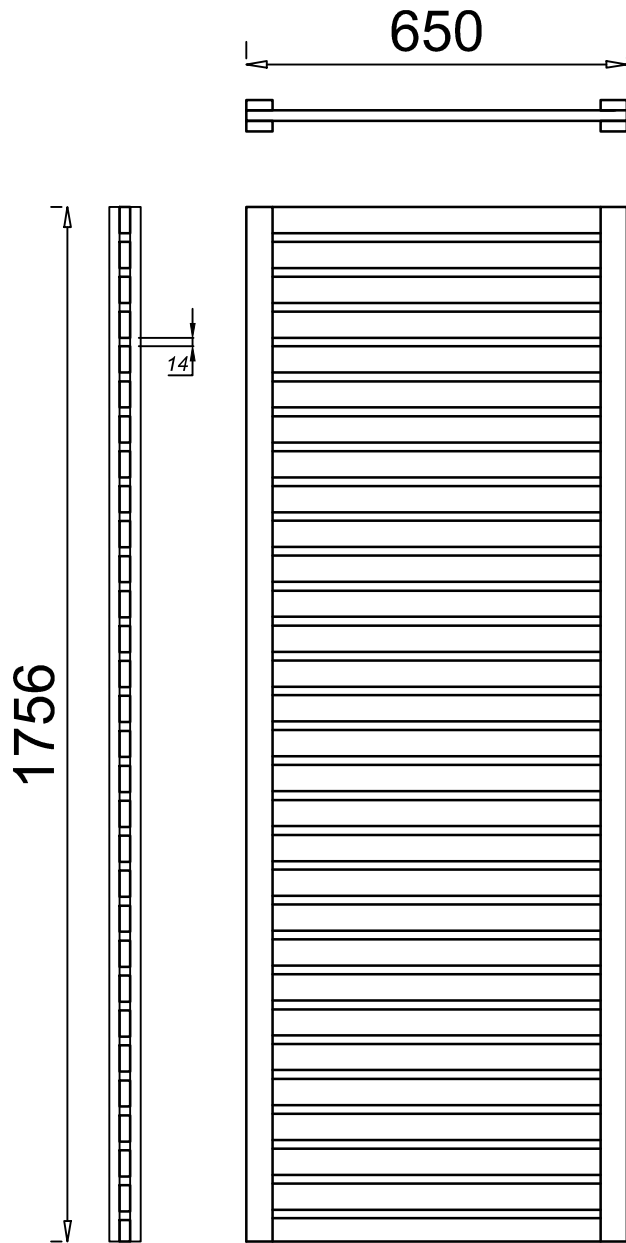


CEILING INSULATION

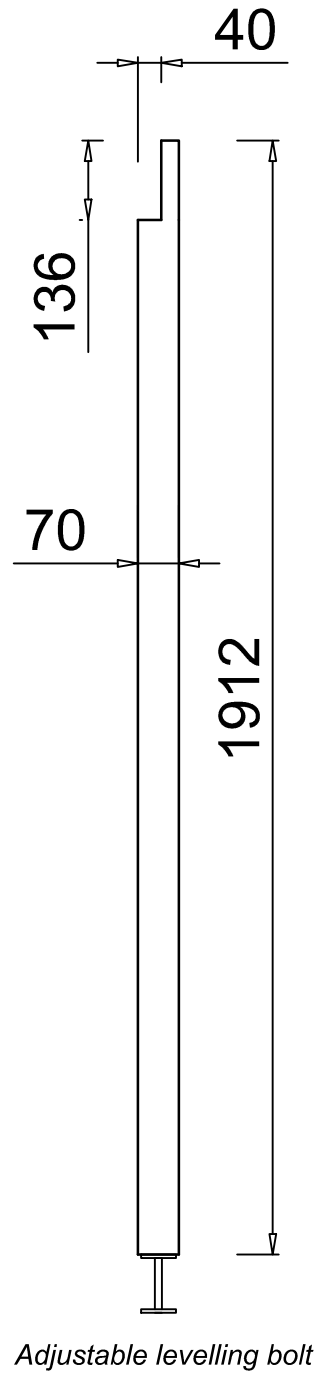


CUT THE HOLE FOR CHIMNEY WHEN USING WOOD-BURNING HEATER (EXTRA DRAWING WITH POSITIONING MEASURES)

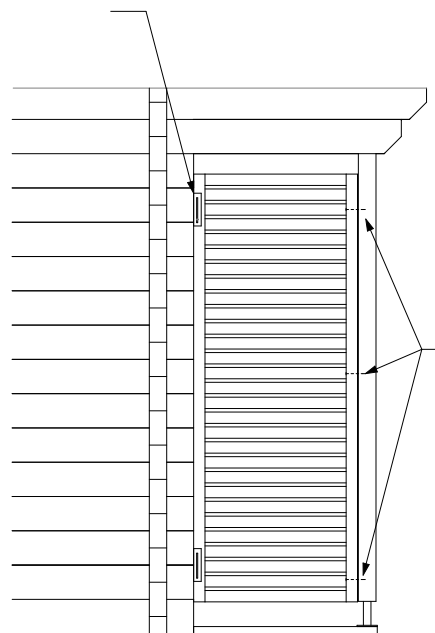
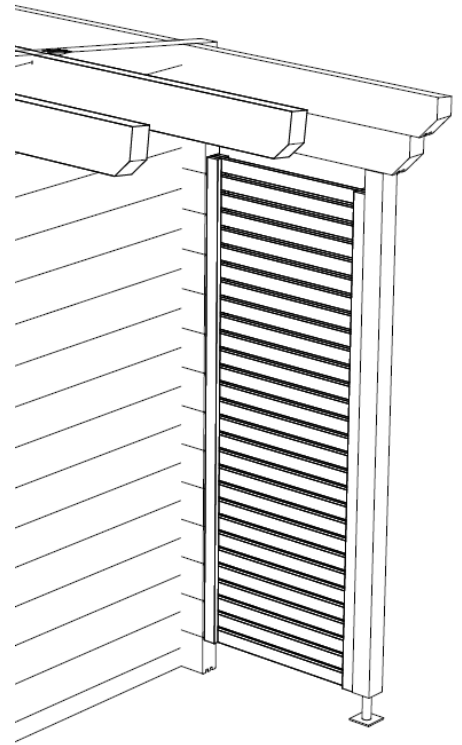
GRID WALL VS-1



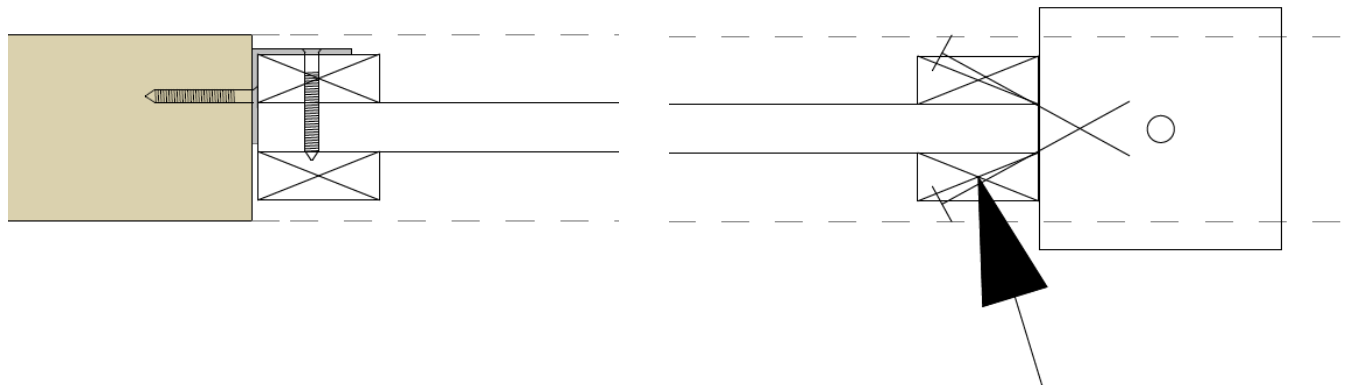
CORNER POST NP-1



INSTALLATION OF THE GRID



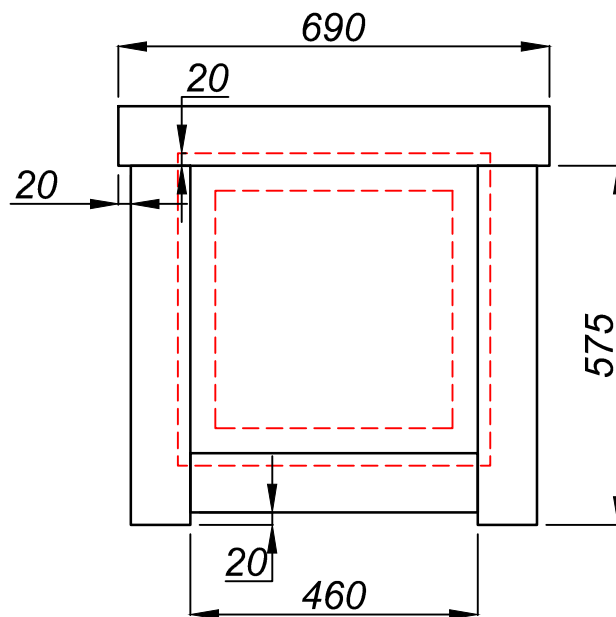
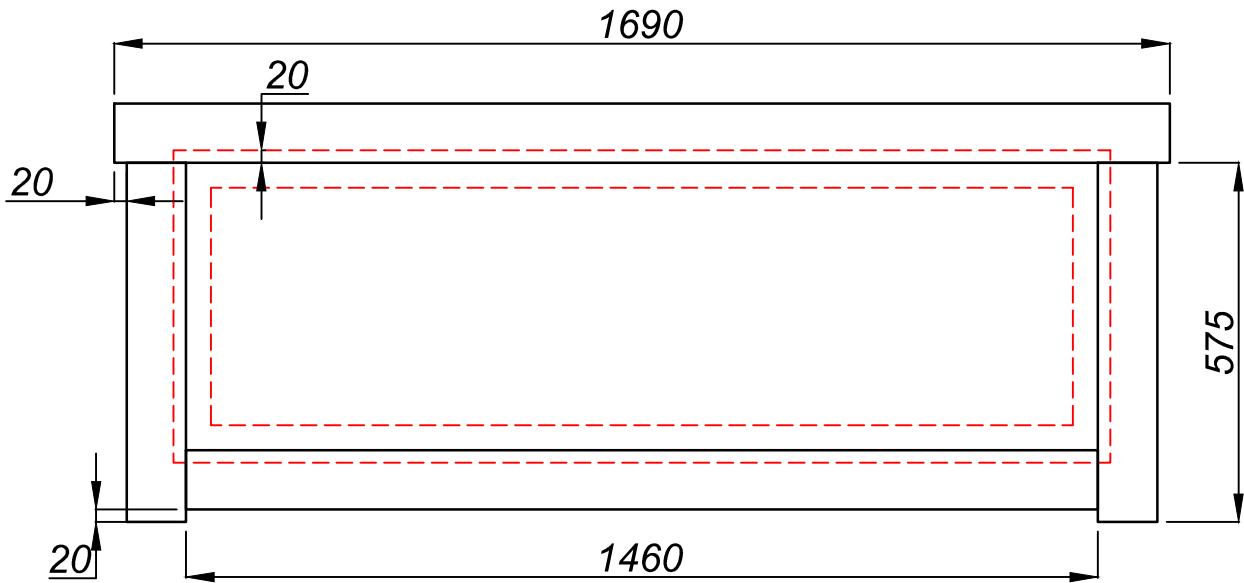
Sliding bracket 35x35x130
Install with 5x40 screws
Use M5 washer with screw to allow the wall logs to sink
(do not tighten the screw 100%)

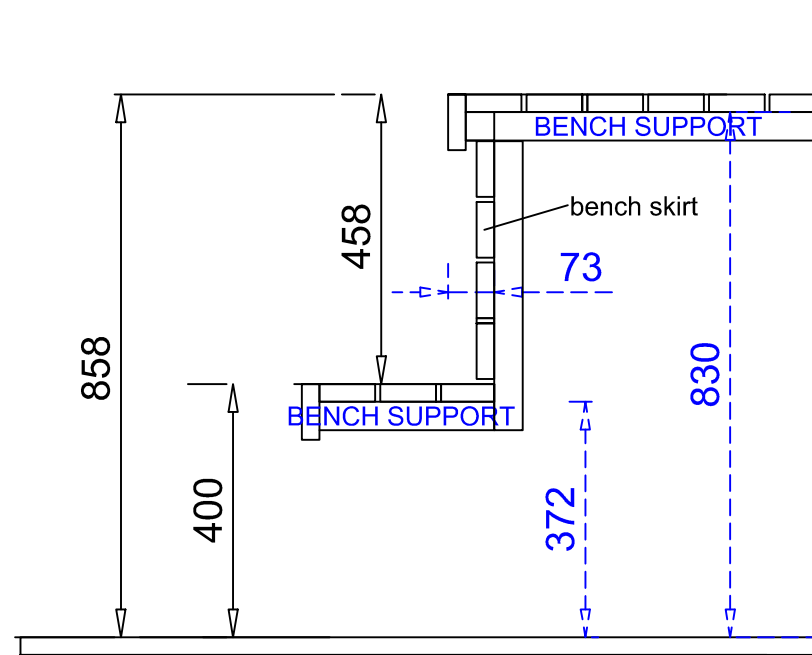


Fix the grid to corner post with a screw 5x80

WINDOW MOULDINGS 18x95

OUTSIDE AND INSIDE MOULDINGS ARE WITH THE SAME LENGTH
FIX WITH A 40 MM STAINLESS SCREWS





1. FIRST FIX THE BENCH SUPPORTS TO THE WALL
2. THEN LIFT THE BENCHES ON TOP OF THEM
3. FIX THE BENCHES WITH THE 70 MM SCREWS TO THE WALLS AND SUPPORTS
4. USE VERTICAL SUPPORT TO SUPPORT THE BENCH FROM THE MIDDLE

BENCH SET

