

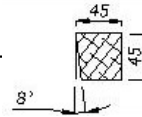
RAUMA 5 Plus

Installation drawings



RAUMA 5 Plus

| marking | | | length | pcs | | | | |
|---------|---|------------------------------|--------|-----|--|--|--|--|
| AR-1 | 45x95 FLOOR FRAME | | 4916 | 1 | | | | |
| AR-2 | 45x95 FLOOR FRAME | <i>CUTOUT FOR DRAINAGE</i> | 4916 | 1 | | | | |
| AR-3 | 45x95 FLOOR FRAME | <i>SPECIAL CROSS-SECTION</i> | 1980 | 1 | | | | |
| AR-4 | 45x 70 FLOOR FRAME | | 1980 | 1 | | | | |
| AR-5 | 45x95 FLOOR FRAME | | 1980 | 15 | | | | |
| TL-1 | 28x120 DECKING BOARD | | 800 | 18 | | | | |
| TL-2 | 28x120 DECKING BOARD | | 2070 | 1 | | | | |
| SR-1 | 45x145 ROOF RAFTER | | 5446 | 2 | | | | |
| RL-2 | 45x45 ROOF EDGE SUPPORT FRAME | | 5446 | 2 | | | | |
| RL-1 | 18x95 ROOF EDGE BOARD | | 5446 | 2 | | | | |
| RL-2 | 18x95 ROOF EDGE BOARD | <i>CUT TO LENGTH !</i> | ~2800 | 2 | | | | |
| TR-1 | 45x45 SUPPORT FRAME FOR CEILING BOARD IN SAUNA ROOM | | 2000 | 2 | | | | |
| | | | | | | | | |
| SL-2 | 15x55 DISTANCE BOARD FOR CEILING | | 2000 | 5 | | | | |
| PP-1 | 15x55 MOULDINGS FOR FLOOR/CEILING | | 2000 | 14 | | | | |
| SL-1 | 14x121 CEILING PANEL | | 2015 | 20 | | | | |
| KL-1 | 29x120 ROOF BOARD | | 2668 | 52 | | | | |



| | | | | | | | | |
|------|-------------------------------|--|------|----|--|--|--|--|
| PL-2 | 28x120 FLOOR BOARD FRONT ROOM | | 1995 | 20 | | | | |
| PL-1 | 28x120 FLOOR BOARD SAUNA ROOM | | 1960 | 20 | | | | |

RAUMA 5 Plus

| marking | | | length | pcs | | | | |
|---------|-------------------------------|--|--------|-----|--|--|--|--|
| | DOOR 92x590x1860 BRONZE | | | 1 | | | | |
| | METAL DOOR HANDLE | | | 1 | | | | |
| | GLASS DOOR 92x590x1860 BRONZE | | | 1 | | | | |
| | WINDOW 42x1500x500 BRONZE | | | 2 | | | | |
| | | | | | | | | |

| | | | | | | | | |
|------|-----------------------|--|-------|---|--|--|--|--|
| | 18x95 MOULDING EXTRA | | ~2100 | 2 | | | | |
| UK-1 | 18x95 DOOR MOULDING | | 1890 | 4 | | | | |
| UK-2 | 18x95 DOOR MOULDING | | 790 | 2 | | | | |
| UK-3 | 15x55 DOOR MOULDING | | 560 | 2 | | | | |
| AK-1 | 18x95 WINDOW MOULDING | | 1690 | 4 | | | | |
| AK-2 | 18x95 WINDOW MOULDING | | 1460 | 4 | | | | |
| AK-3 | 18x95 WINDOW MOULDING | | 575 | 8 | | | | |

RAUMA 5 Plus

| marking | | | length | pcs | | | | |
|---------|----------------------------------|--|--------|-----|--|--|--|--|
| | BENCH MODULE 600x1992 | | | 1 | | | | |
| | BENCH MODULE 300x1992 | | | 1 | | | | |
| | BENCH MODULE 500x1396 | | | 1 | | | | |
| | BENCH MODULE 200x1160 | | | 1 | | | | |
| | BENCH MODULE 500x1992 FRONT ROOM | | | 1 | | | | |
| | BENCH SKIRT 376x1992 | | | 1 | | | | |
| | BENCH SKIRT 376x1441 | | | 1 | | | | |
| | BENCH SUPPORT SET 45x45 | | | 1 | | | | |
| | OUTDOOR BENCH 563x750 | | | 1 | | | | |
| | HEATER GUARD DIY SET | | | 1 | | | | |
| | | | | | | | | |
| VS-1 | GRID WALL 650x1756 | | | 1 | | | | |
| | | | | | | | | |
| NP-1 | 70x70 CORNER POST | | 1912 | 1 | | | | |

RAUMA 5 Plus

| marking | | | length | pcs | | | | |
|---------|--|--|--------|-----|--|--|--|--|
| RN-1 | WATER DRAINAGE PROFILE (OPENING RIGHT) | | | 1 | | | | |
| extra | WATER DRAINAGE PROFILE (OPENING LEFT) TO USE AS "MIRROR" | | | 1 | | | | |
| | | | | | | | | |
| | 3 MM DISTANCE DETAIL FOR FLOOR SLOPE | | 1995 | 1 | | | | |
| | 6 MM DISTANCE DETAIL FOR FLOOR SLOPE | | 1995 | 1 | | | | |
| | 9 MM DISTANCE DETAIL FOR FLOOR SLOPE | | 1995 | 1 | | | | |
| | 12 MM DISTANCE DETAIL FOR FLOOR SLOPE | | 1995 | 1 | | | | |

| | | | | | | | | |
|--|--------------------------------------|--|--|---|--|--|--|--|
| | SPU INSULATION WITH FOIL 30x600x1200 | | | 6 | | | | |
|--|--------------------------------------|--|--|---|--|--|--|--|

| | | | | | | | | |
|--|--|--|--|---|--|--|--|--|
| | | | | 1 | | | | |
|--|--|--|--|---|--|--|--|--|

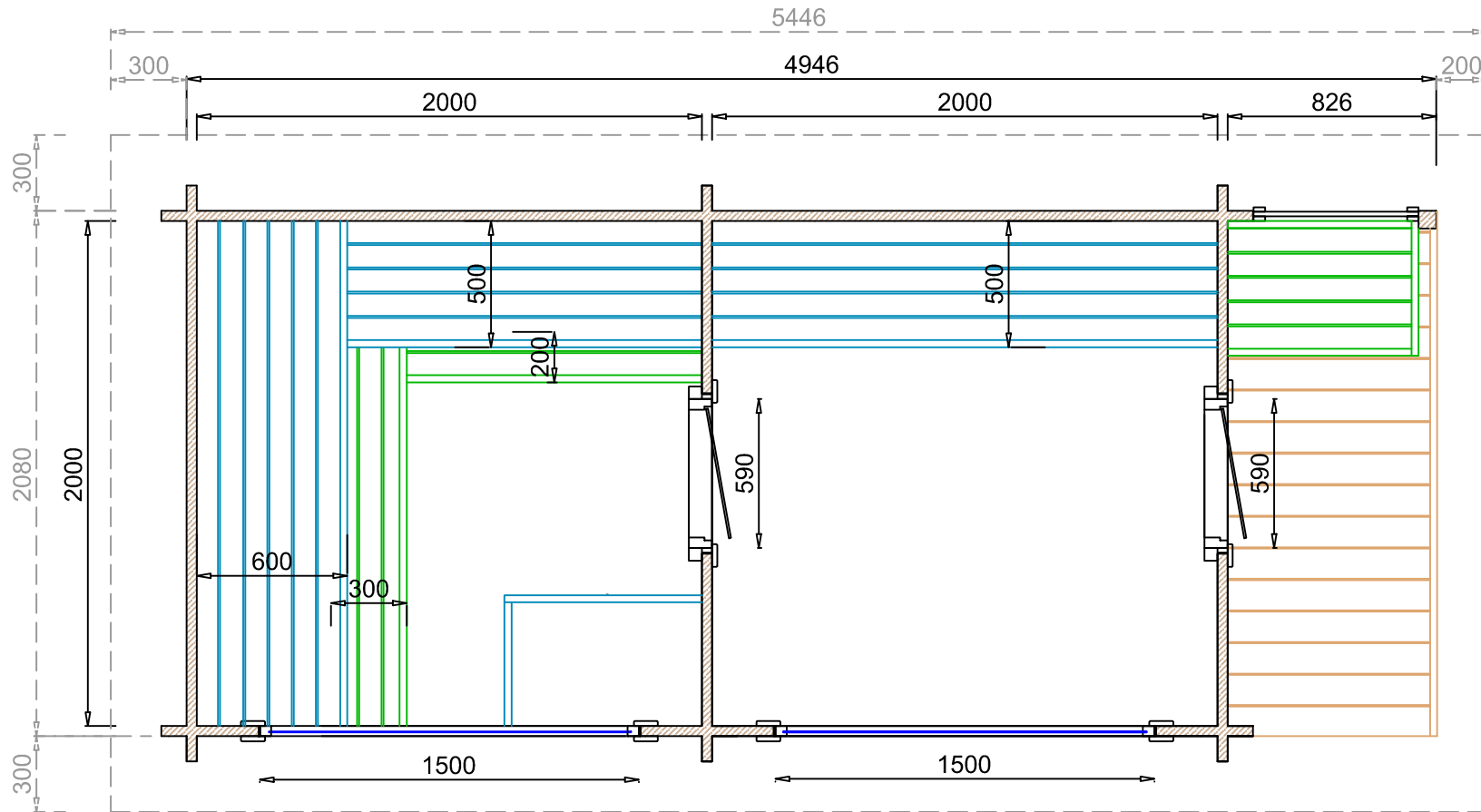
RAUMA 5 Plus

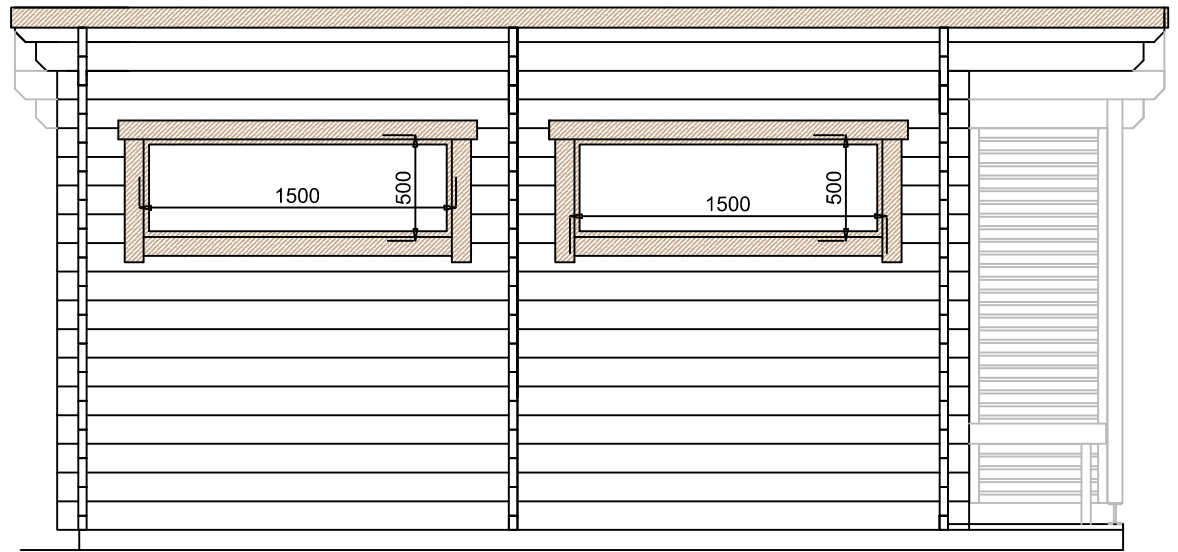
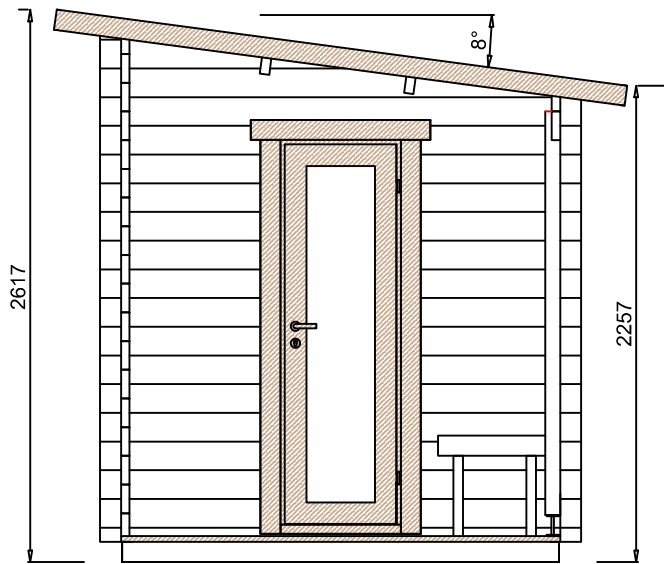
| marking | | | length | pcs | | | | |
|---------|--|--|--------|------|--|--|--|--|
| | SCREW 3,0x40 A2 STAINLESS FOR MOULDINGS | | | 150 | | | | |
| | SCREW 4,8x90 A2 STAINLESS FOR WALL CONNECTIONS (CORNERS) | | | 400 | | | | |
| | SCREW 4,8x55 A2 STAINLESS FOR DECKING BOARDS | | | 200 | | | | |
| | SCREW 3,5x50 AW20 FOR FLOOR BOARDS | | | 200 | | | | |
| | SCREW 4,5x70 FOR ROOF EDGE AND BENCH SUPPORTS | | | 200 | | | | |
| | SCREW 5,0x90 FOR FLOOR FRAME AND WALL CONNECTIONS | | | 200 | | | | |
| | SCREW 5,0x120 FOR WALL CONNECTIONS | | | 30 | | | | |
| | SCREW 6,0x180 FOR ROOF RAFTERS AND WALL CONNECTIONS | | | 30 | | | | |
| | NAIL 75 MM FOR ROOF BOARD | | | ~600 | | | | |
| | NAIL 40 MM FOR CEILING BOARD | | | ~300 | | | | |
| | SCREW 4,8x40 FOR L-IRON | | | 10 | | | | |
| | L-IRON 30x30x130 FOR GRID WALL | | | 3 | | | | |
| | WASHER M5 FOR L-IRON 30x30x130 (GRID WALL) | | | 3 | | | | |
| | ADJUSTABLE LEVELLING BOLT 60x60 FOR CORNER POST | | | 1 | | | | |
| | VENTILATION LOUVER WOOD D100 | | | 2 | | | | |
| | VENTILATION GRID METAL D100 | | | 2 | | | | |
| | FOIL TAPE | | | 1 | | | | |

| | | | | |
|--|--|-------|--------|-----------------------------|
| | | extra | 1 pcs | |
| | | 01 | 2 pcs | |
| | | 02 | 2 pcs | |
| | | 03 | 26 pcs | |
| | | 04 | 17 pcs | |
| | | 04A | 3 pcs | <p>STARTING BOARD 68 MM</p> |

| | | | | |
|--|--|-----|--------|--|
| | | 04C | 3 pcs | |
| | | 05C | 3 pcs | |
| | | 06 | 56 pcs | |
| | | 07C | 3 pcs | |
| | | 08 | 4 pcs | |
| | | 09 | 8 pcs | |

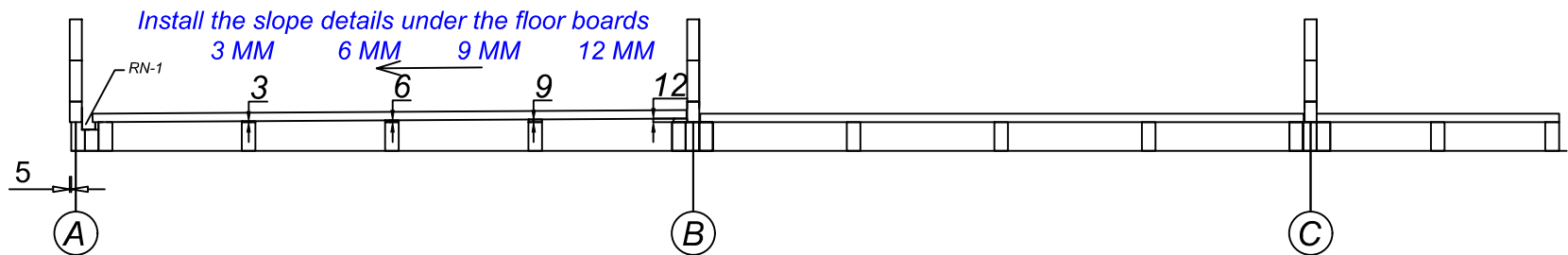
RAUMA 5 PLUS



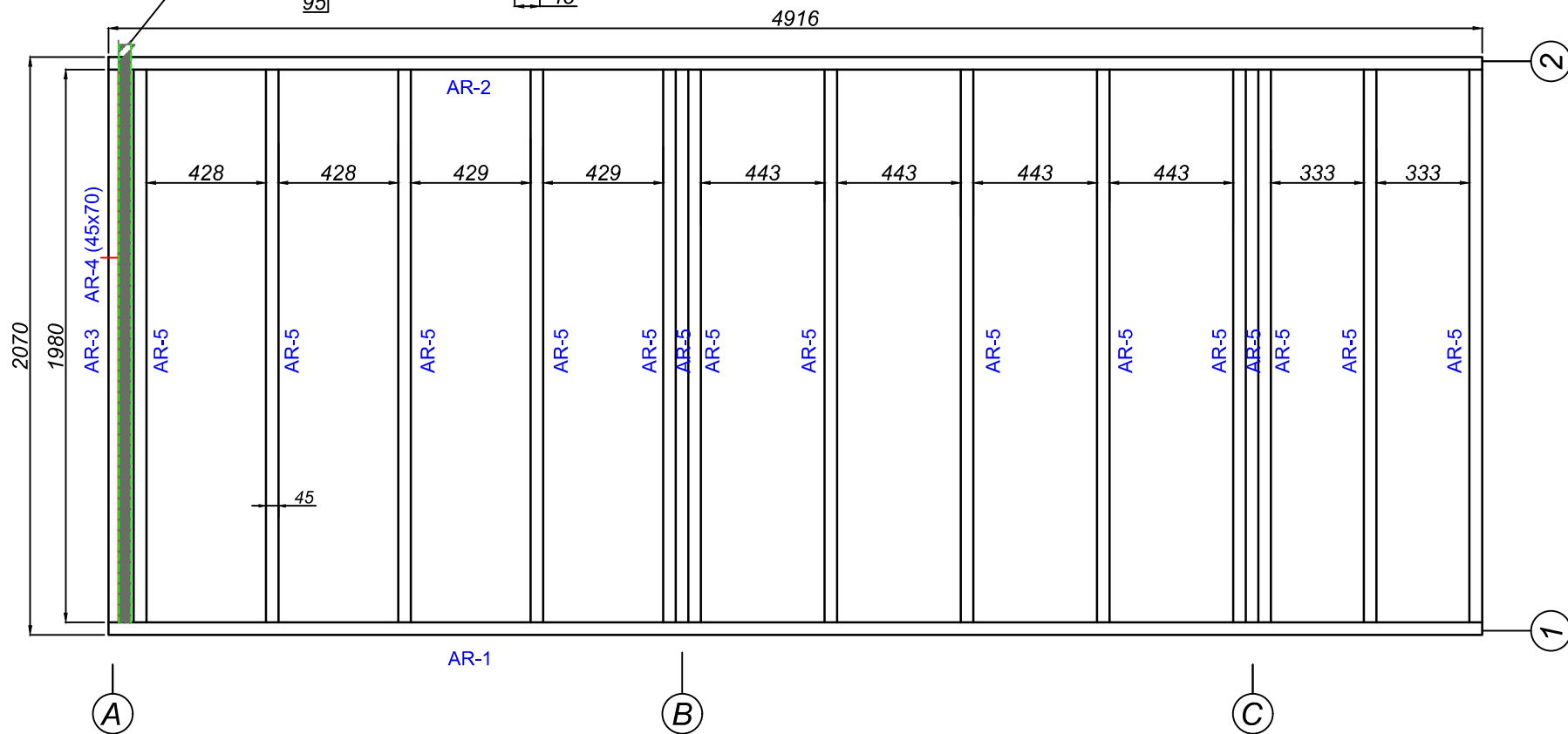
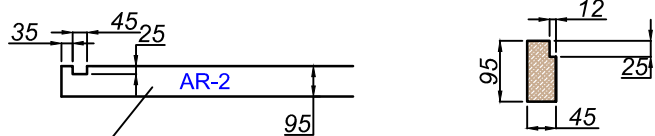


FLOOR FRAME 45x95

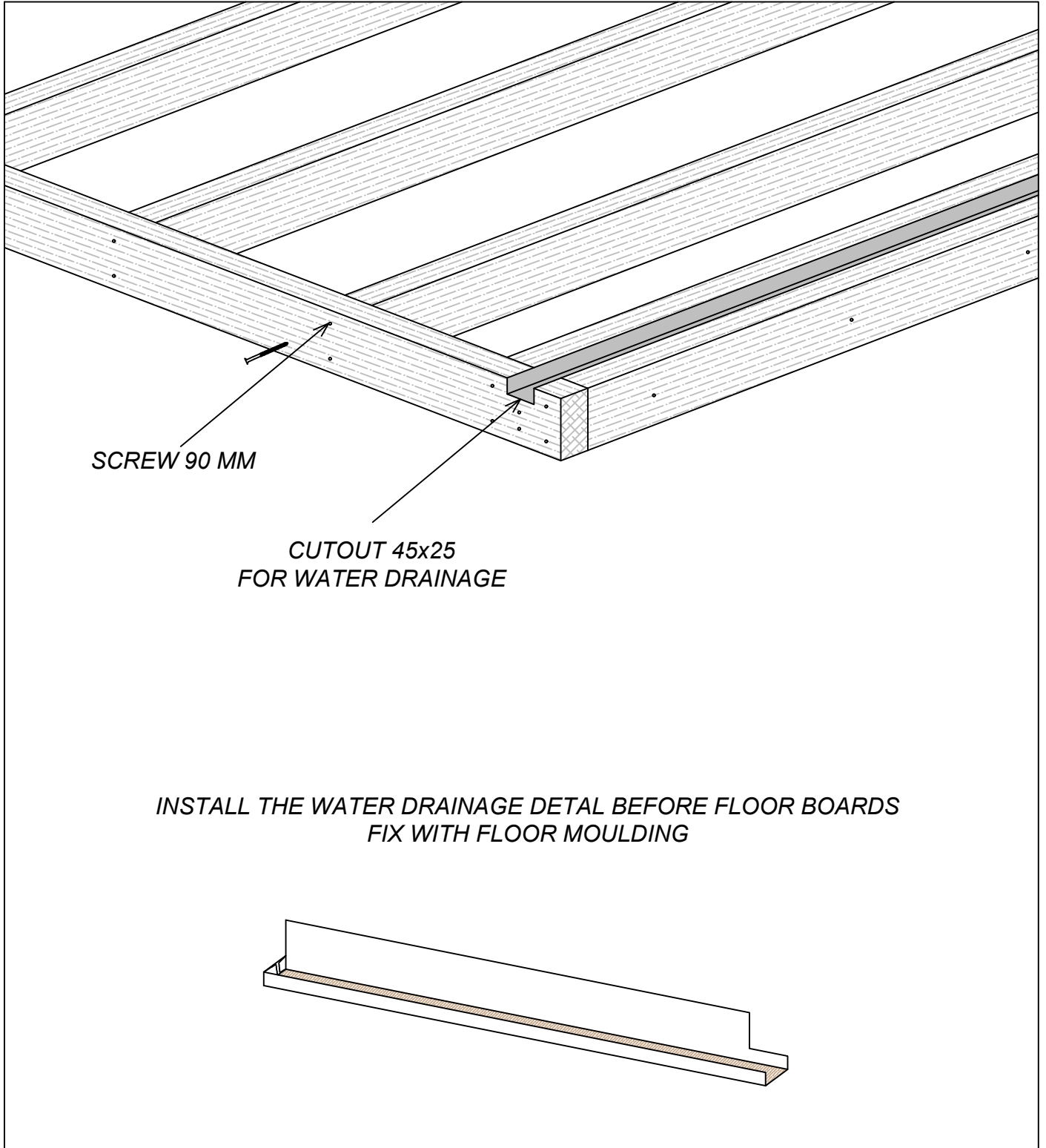
ADD DISTANCE BOARDS UNDER THE FLOOR BOARDS
FOR FLOOR SLOPE

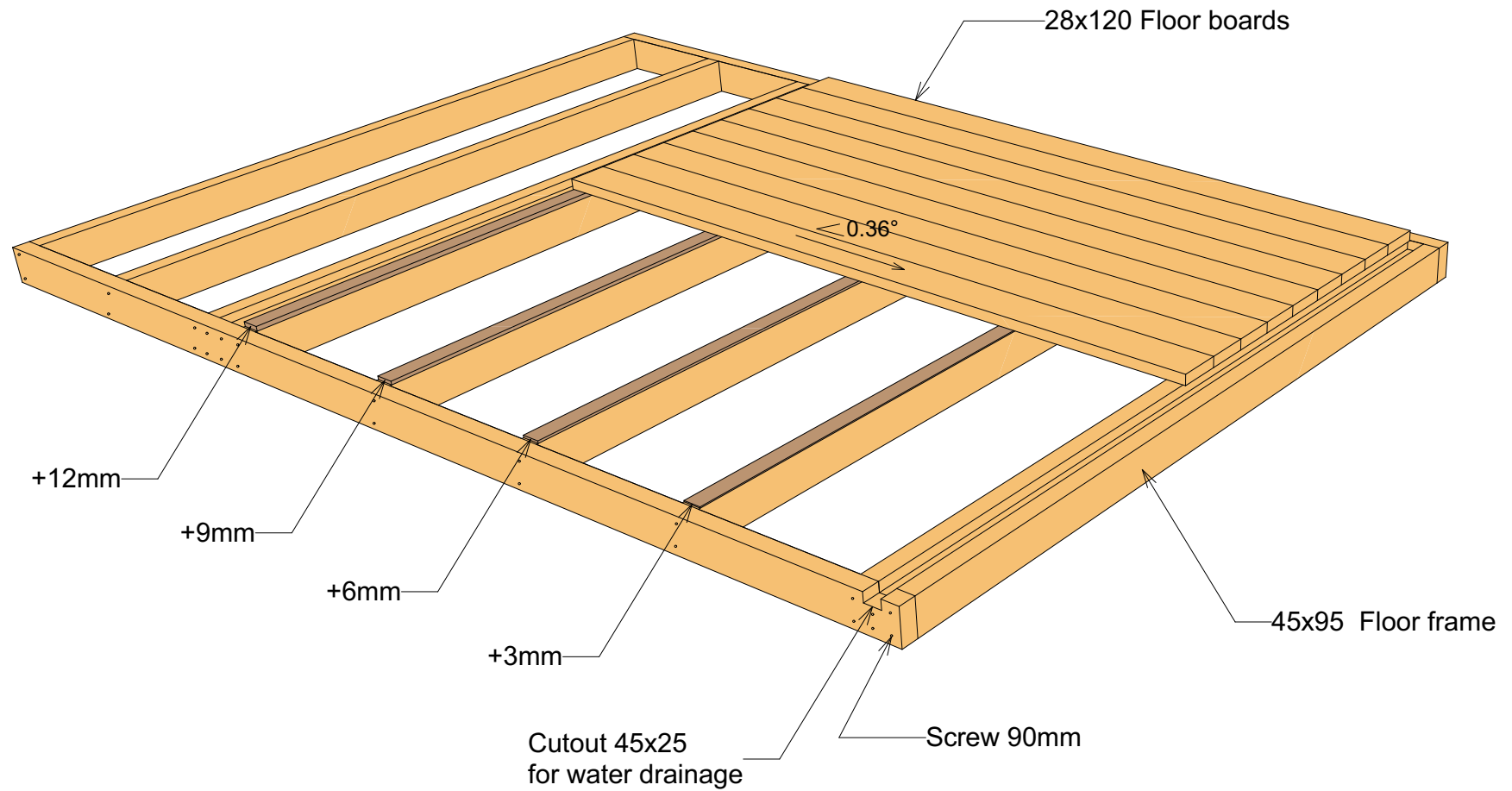


AR-3 CROSS-SECTION

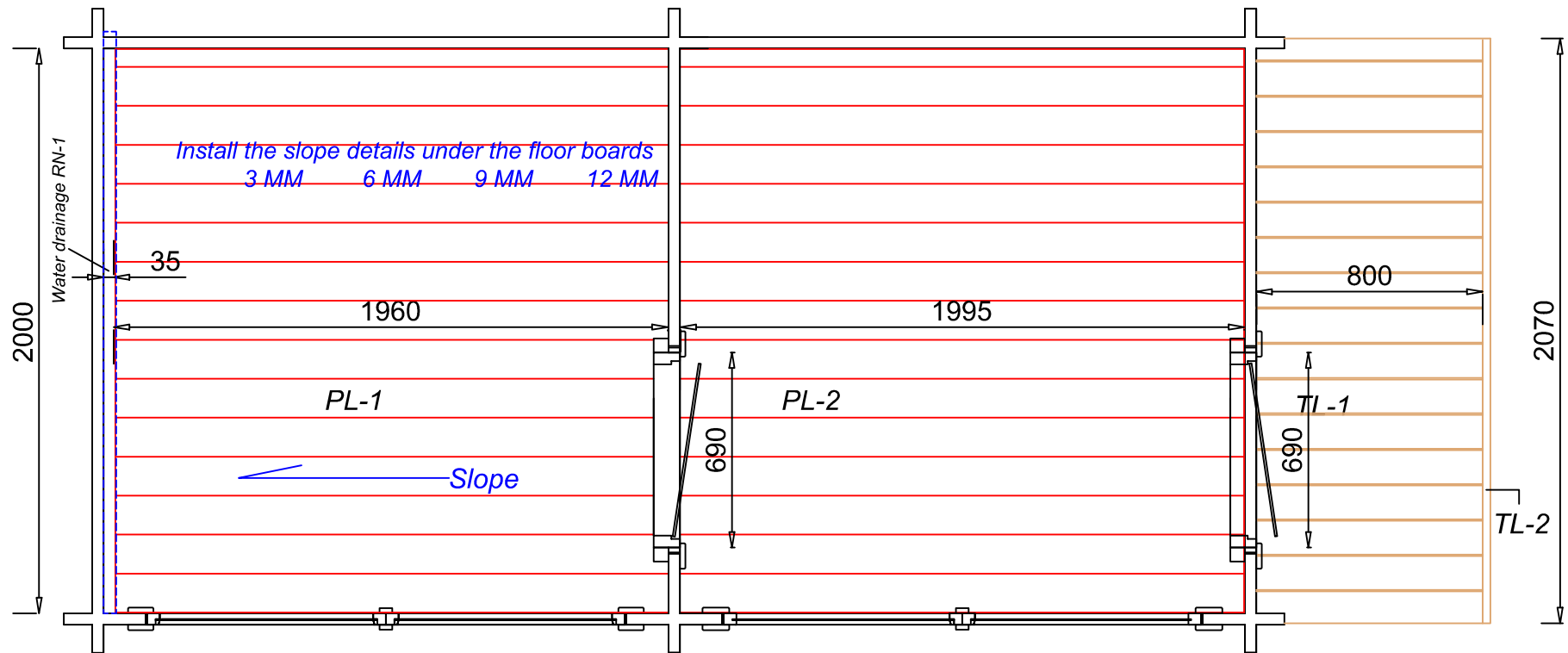


FLOOR FRAME

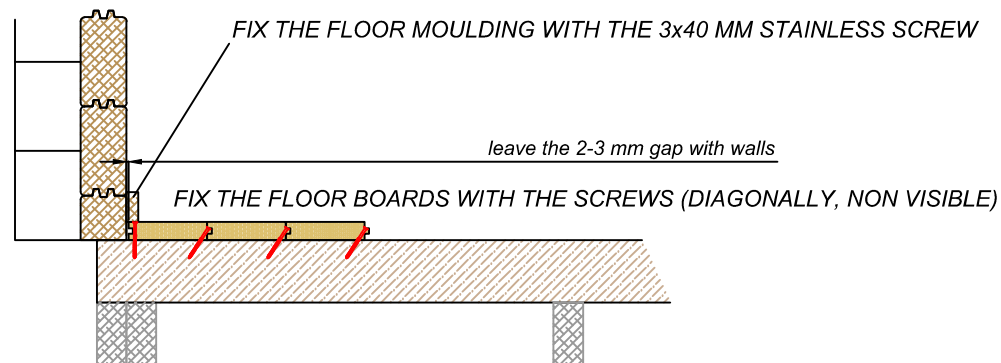




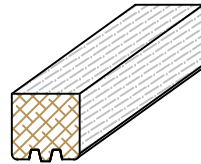
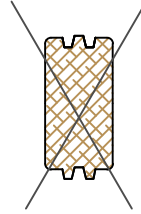
FLOOR BOARDS AND DECKING BOARDS



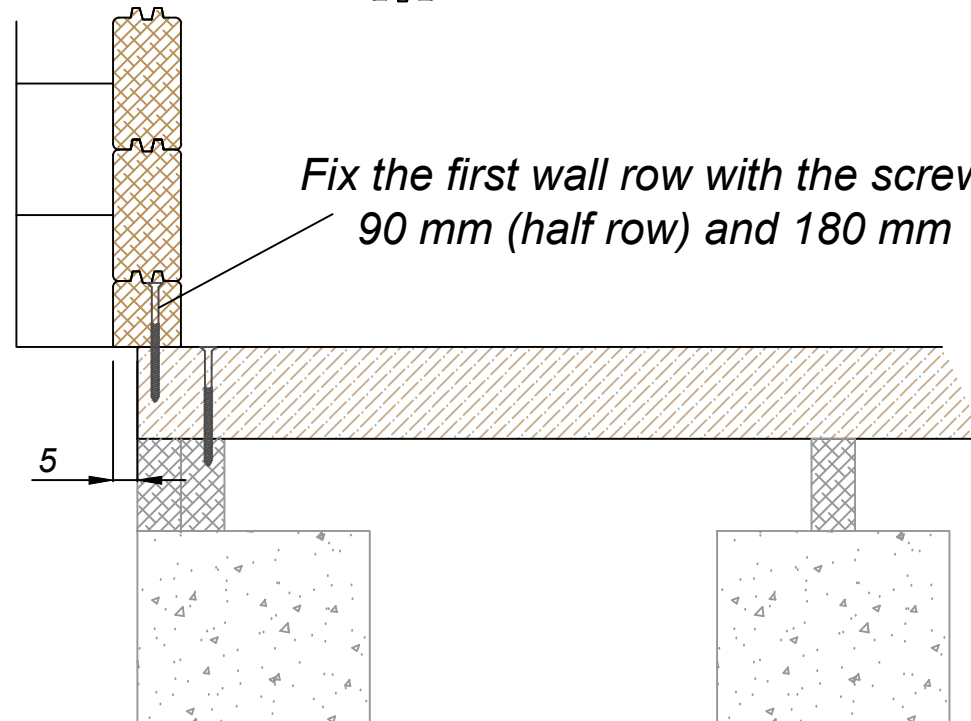
**IN SAUNA ROOM:
BEFORE THE FLOOR BOARD, INSTALL FLOOR SLOPE DETAILS**



FIRST ROW



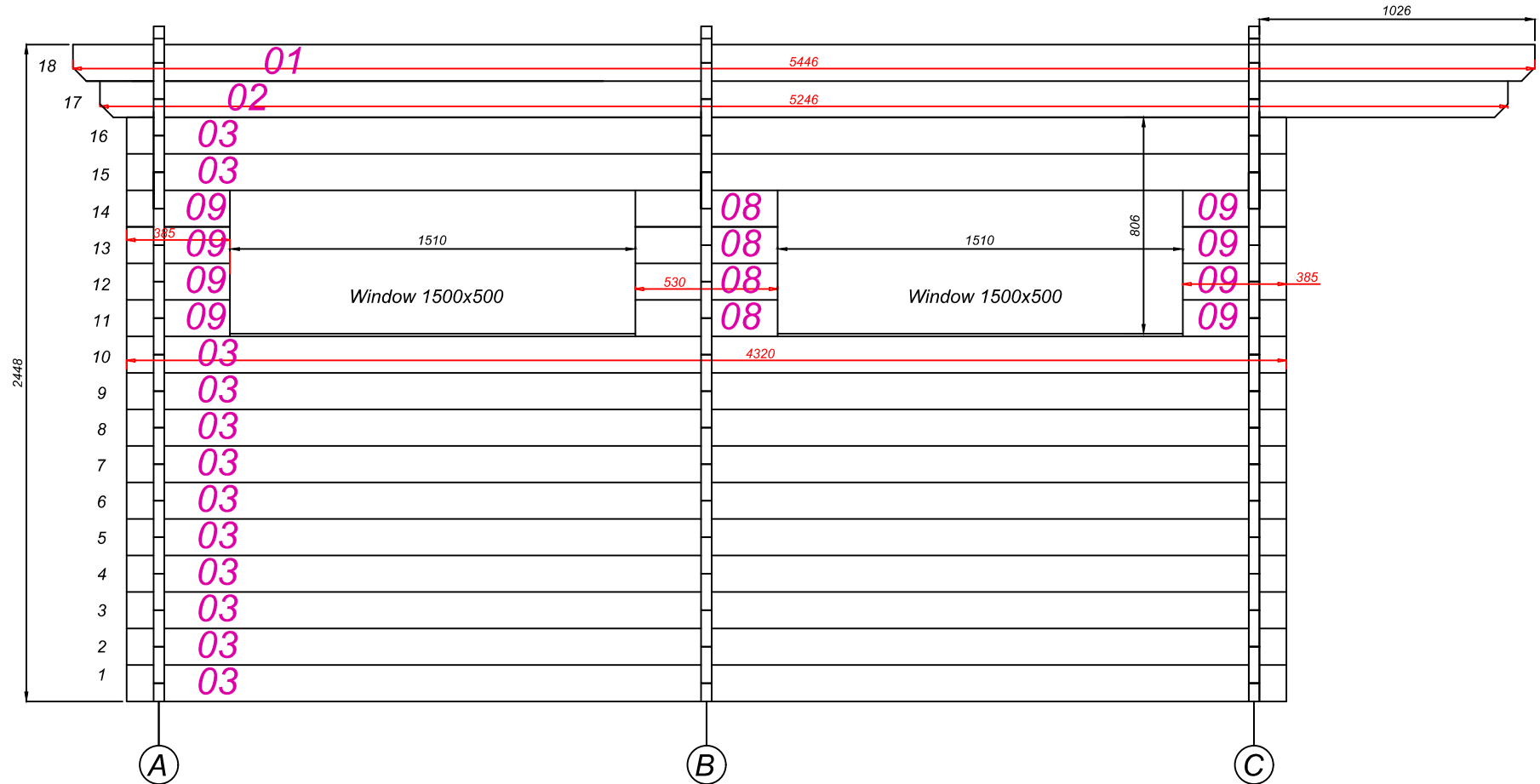
Use rubber hammer and hammer block



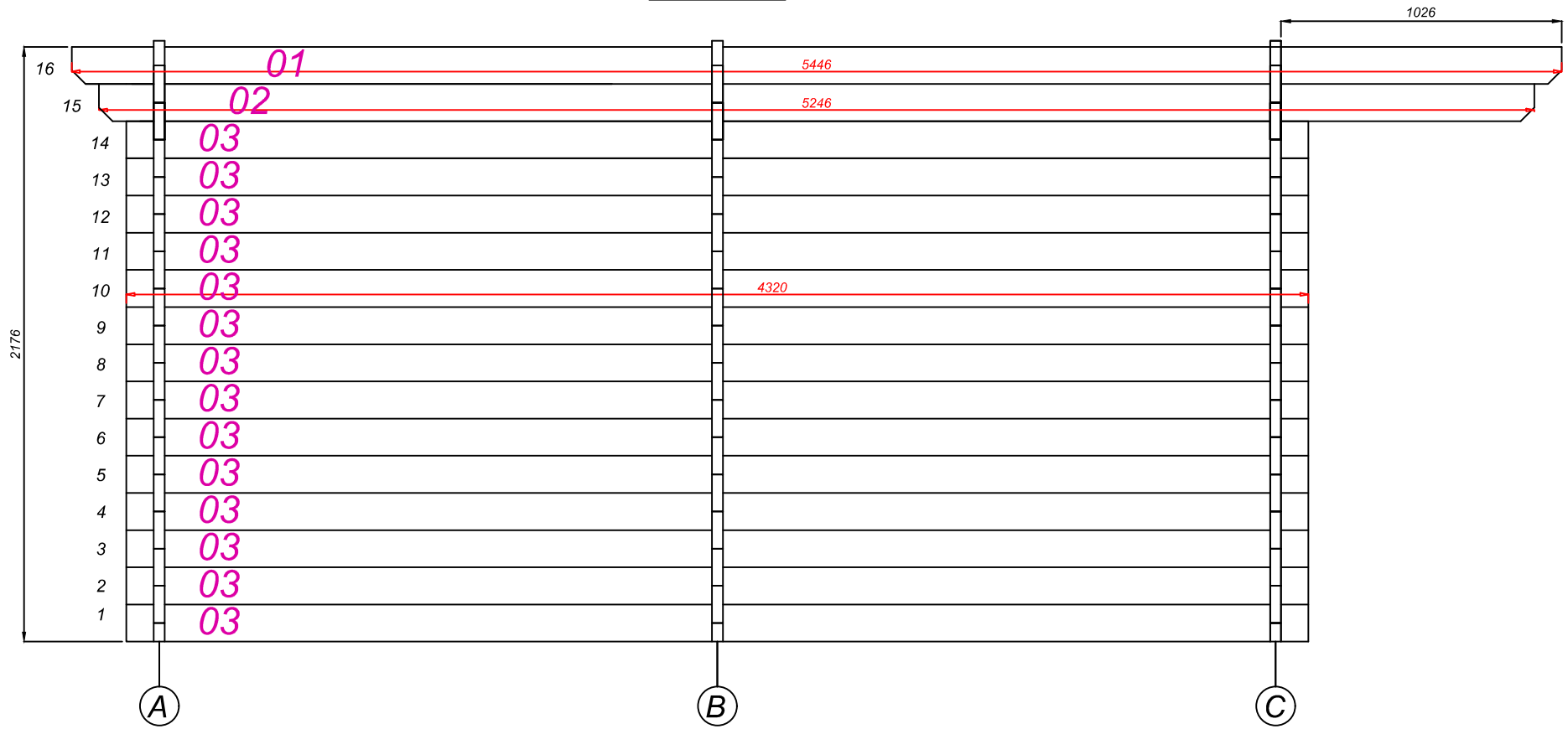
**IN EACH CONNECTION USE 90 MM STAINLESS SCREWS
(TO PROTECT THE BUILDING FOR WIND)**



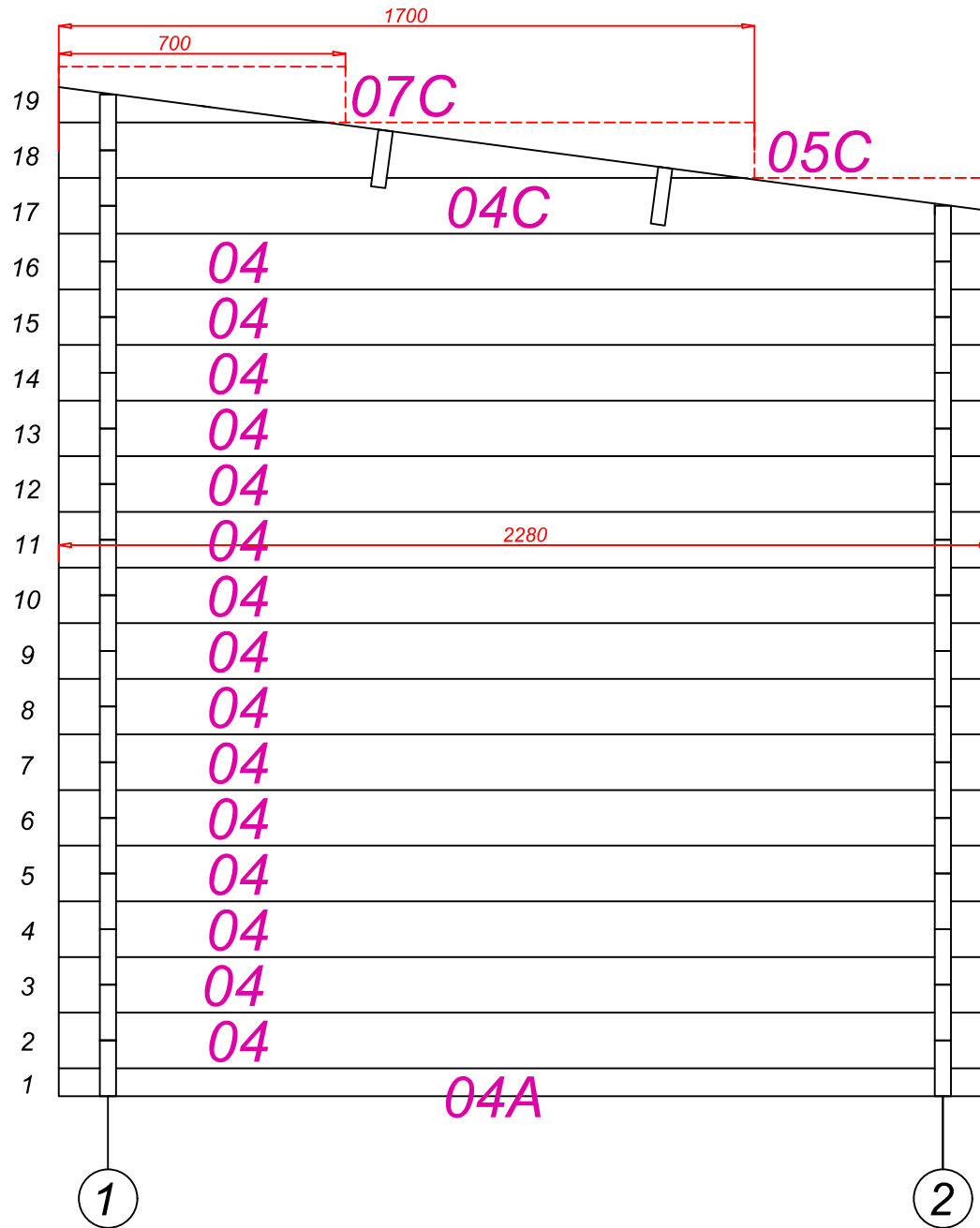
WALL 1



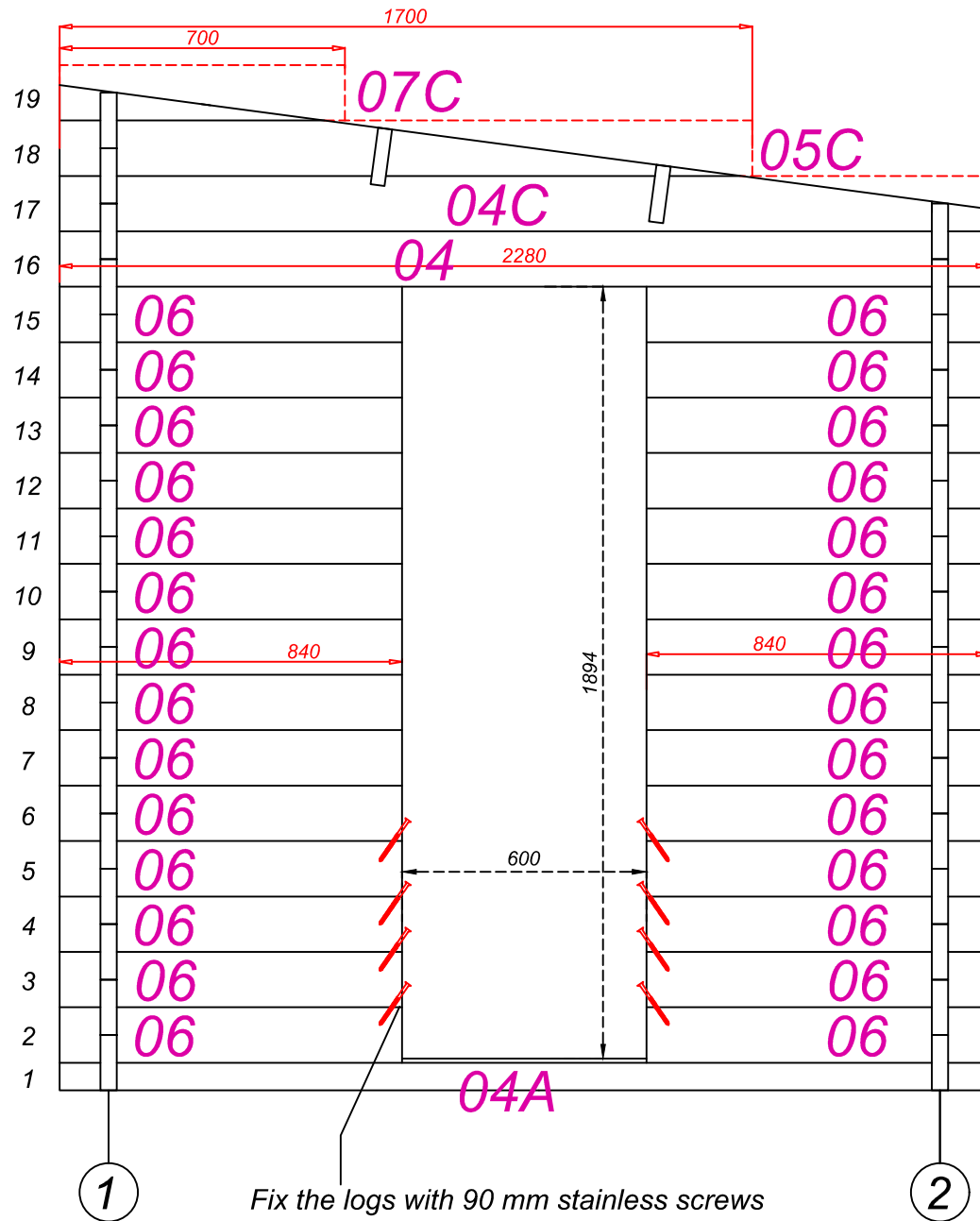
WALL 2



WALL A

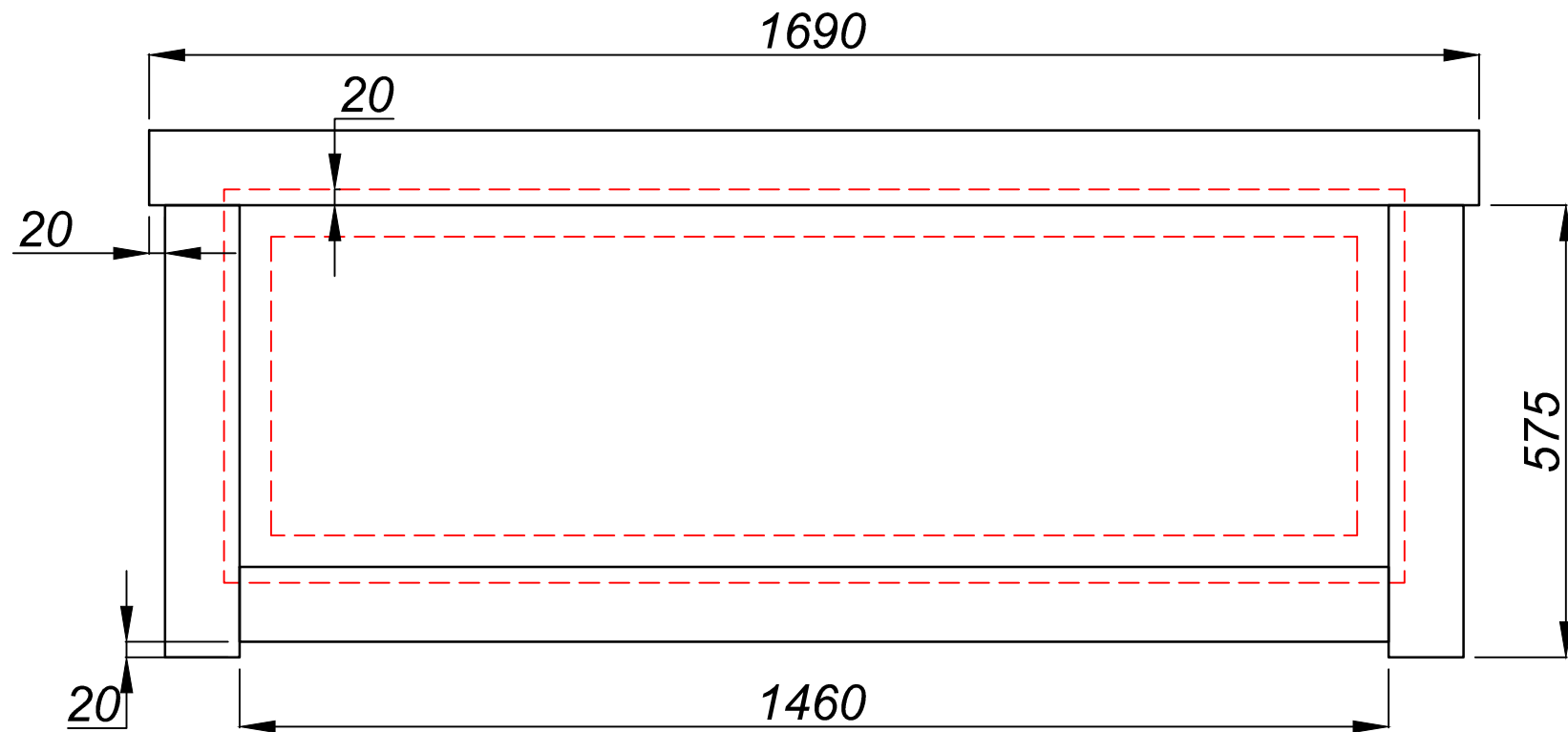


WALL B / WALL C

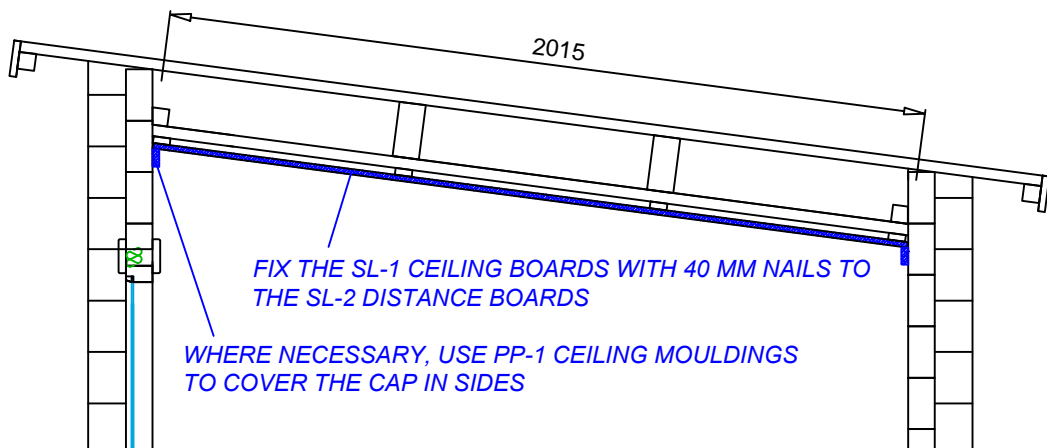
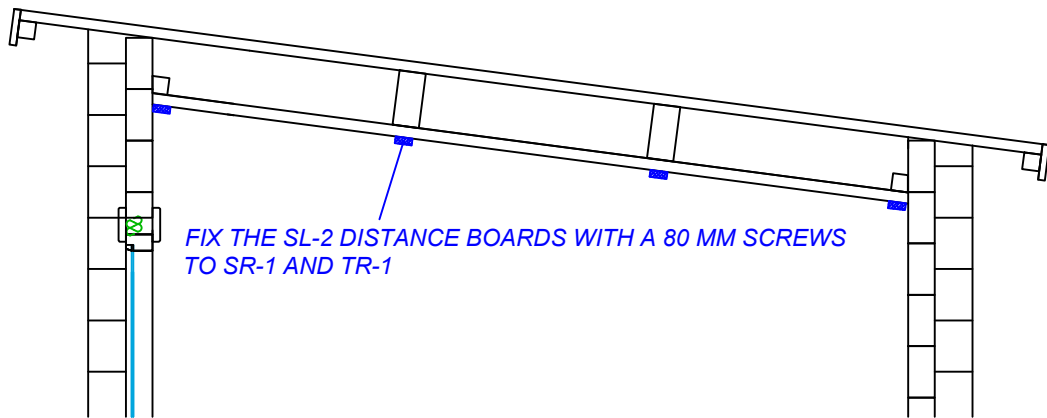
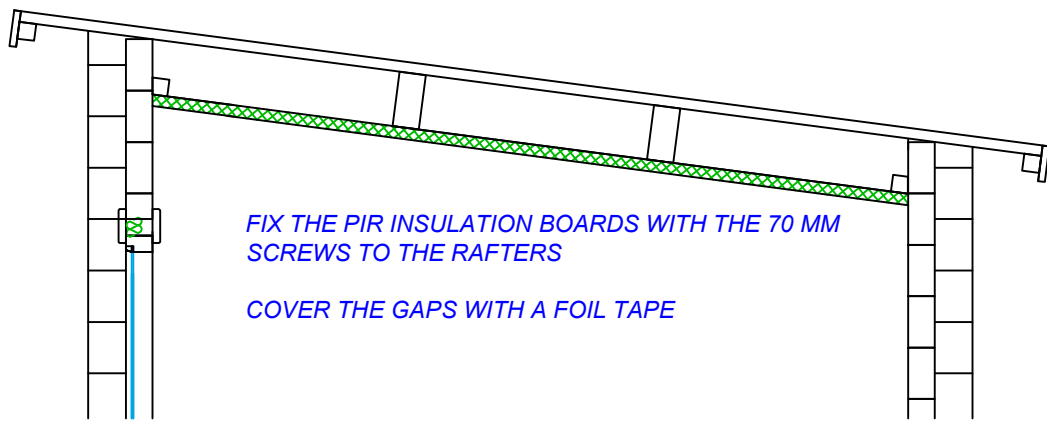
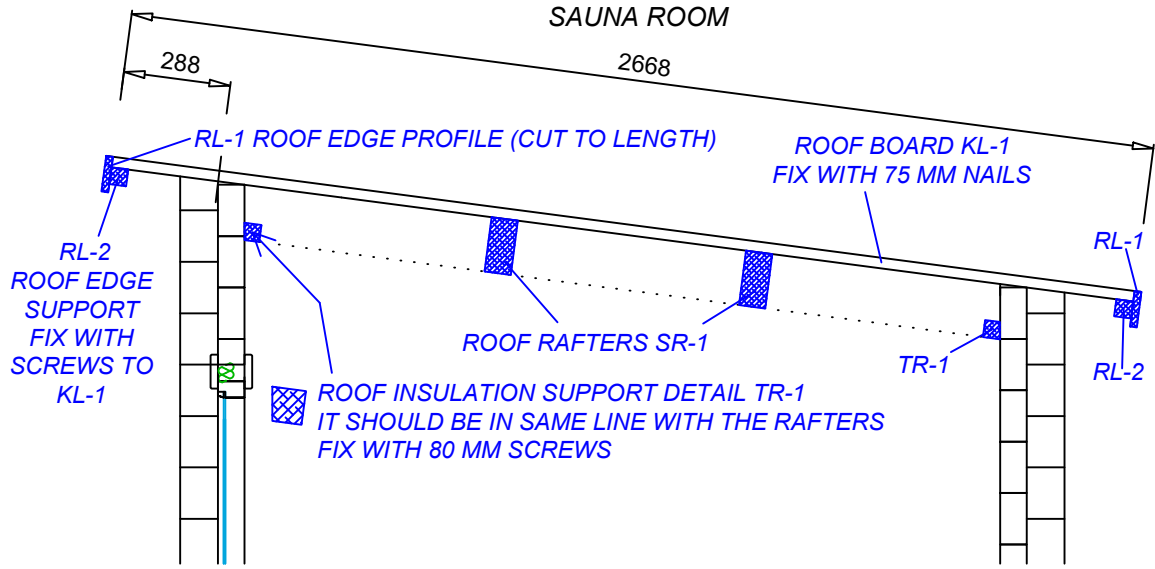


WINDOW MOULDINGS 18x95

OUTSIDE AND INSIDE MOULDINGS ARE WITH THE SAME LENGTH
FIX WITH A 40 MM STAINLESS SCREWS

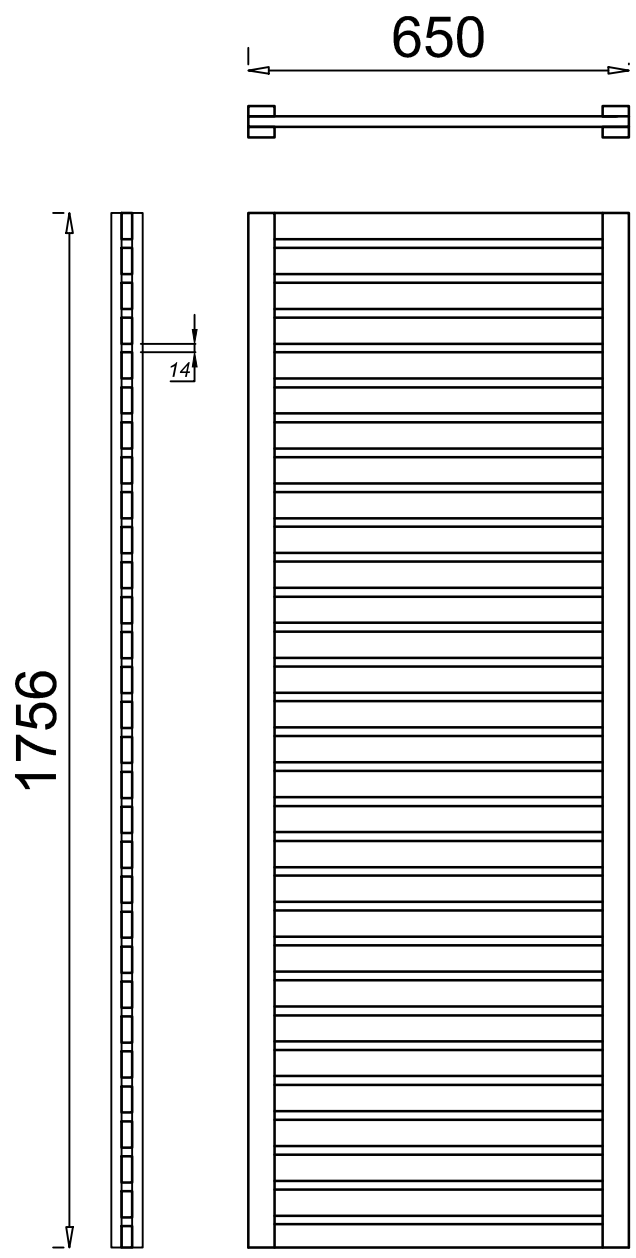


CEILING INSULATION

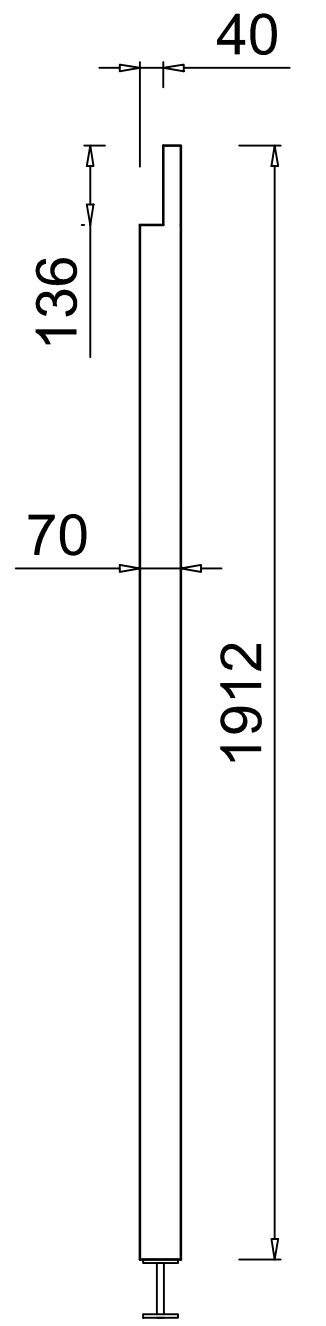


CUT THE HOLE FOR CHIMNEY WHEN USING WOOD-BURNING HEATER (EXTRA DRAWING WITH POSITIONING MEASURES)

GRID WALL VS-1

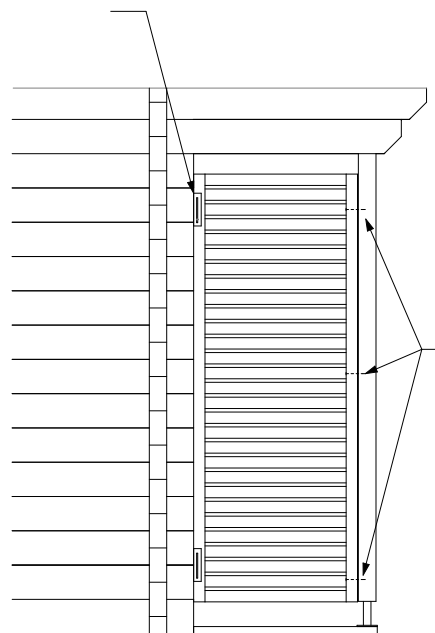
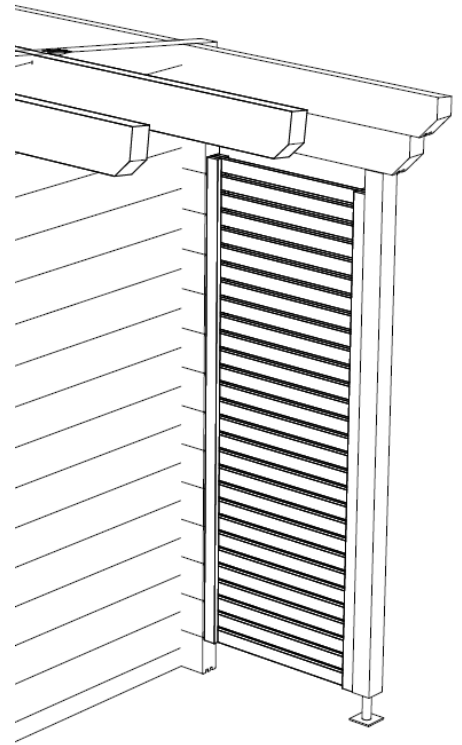


CORNER POST NP-1

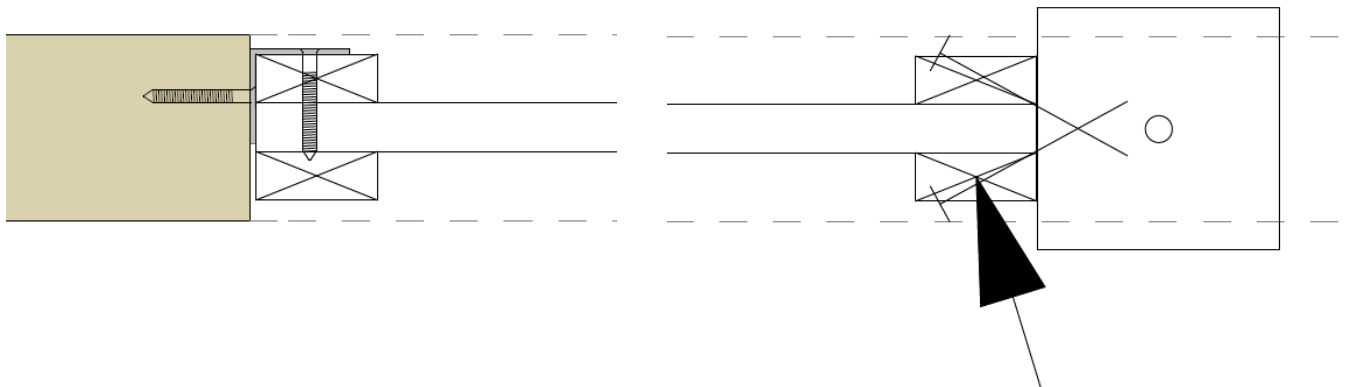


Adjustable levelling bolt

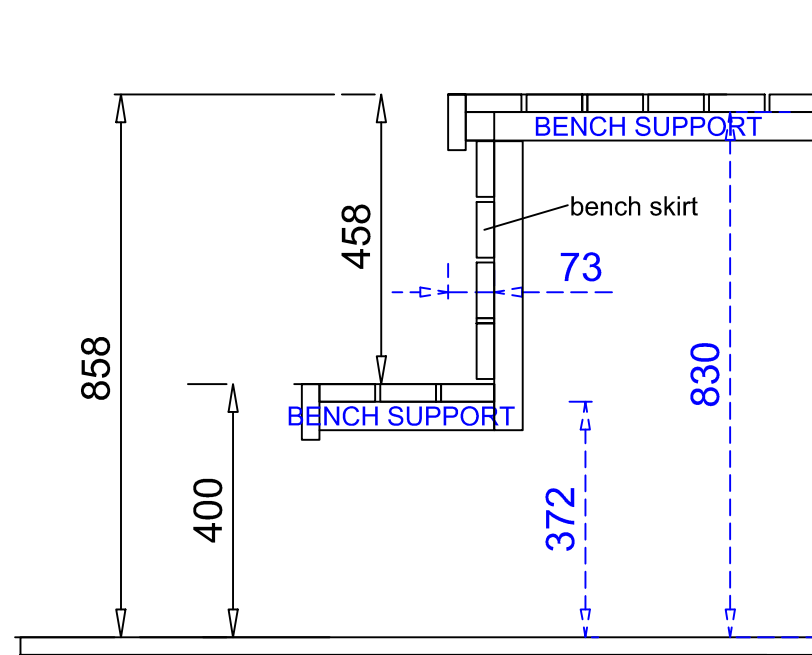
INSTALLATION OF THE GRID



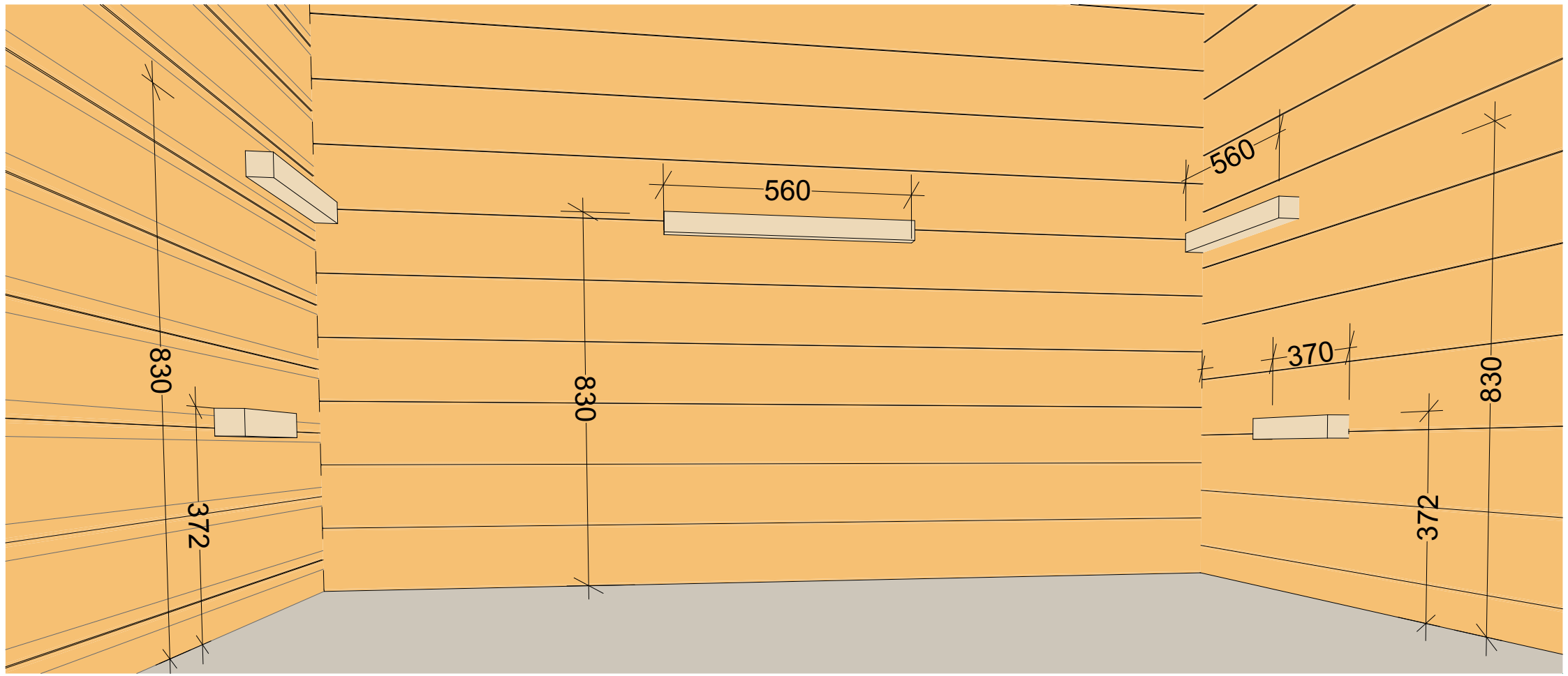
Sliding bracket 35x35x130
Install with 5x40 screws
Use M5 washer with screw to allow the wall logs to sink
(do not tighten the screw 100%)



Fix the grid to corner post with a screw 5x80



1. FIRST FIX THE BENCH SUPPORTS TO THE WALL
2. THEN LIFT THE BENCHES ON TOP OF THEM
3. FIX THE BENCHES WITH THE 70 MM SCREWS TO THE WALLS AND SUPPORTS
4. USE VERTICAL SUPPORT TO SUPPORT THE BENCH FROM THE MIDDLE



830

372

830

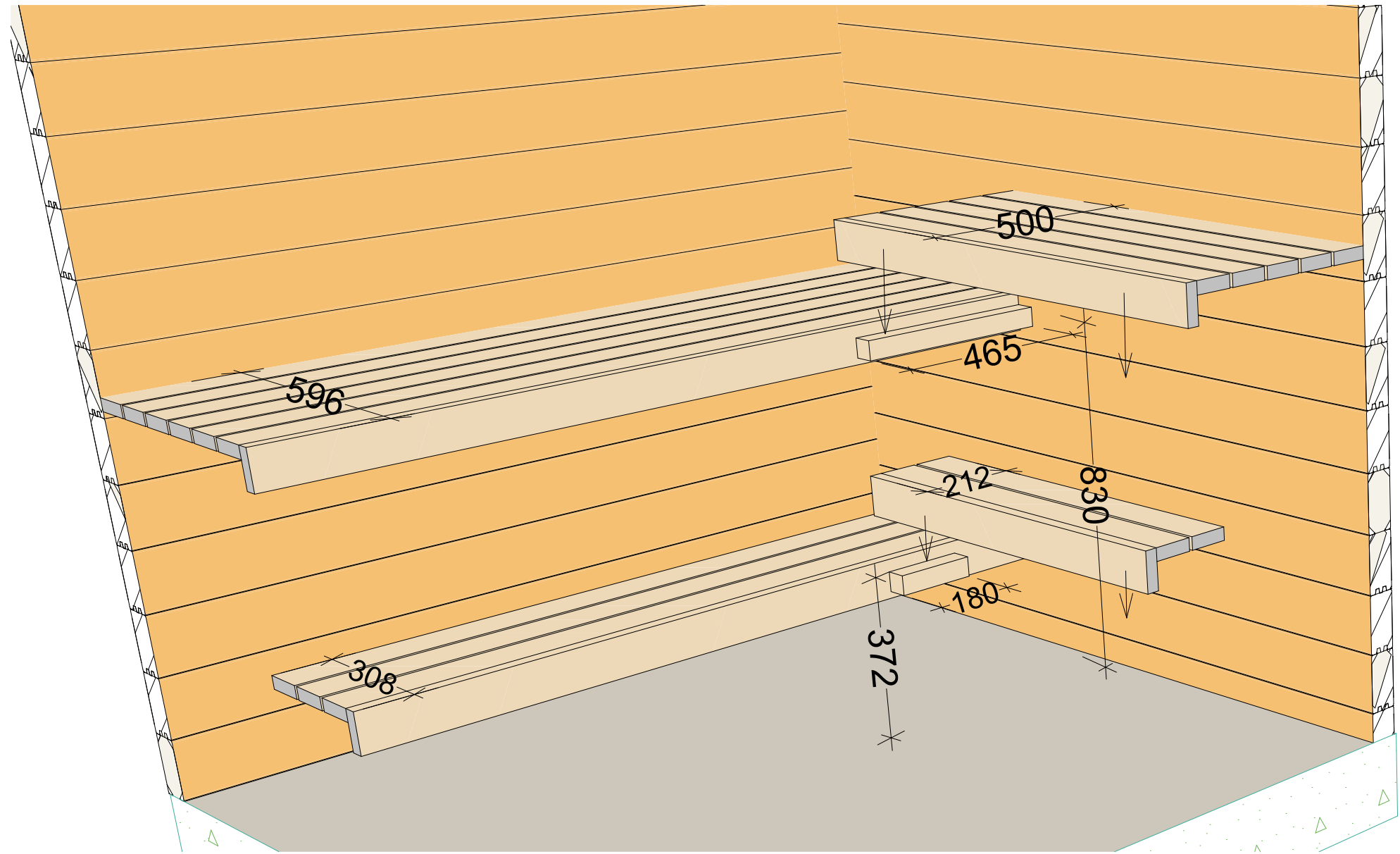
560

560

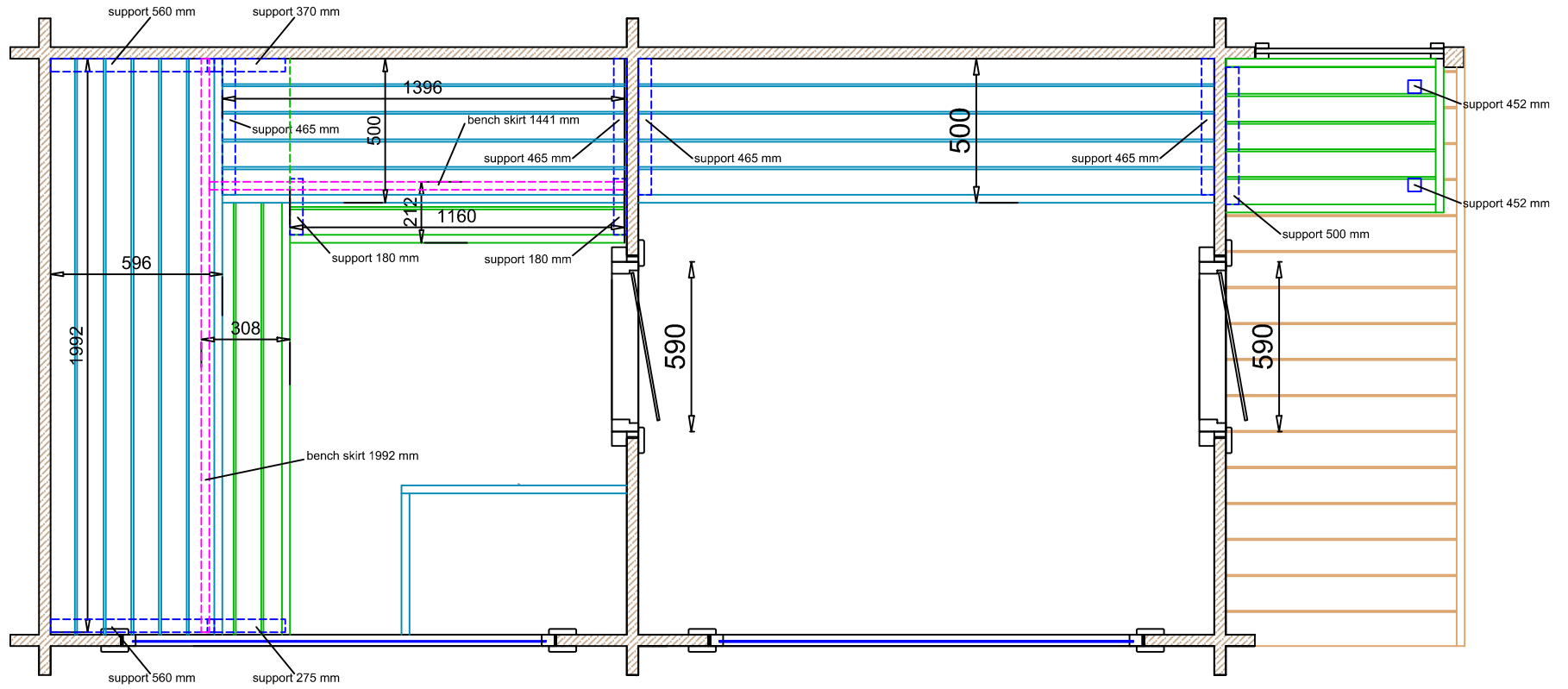
370

372

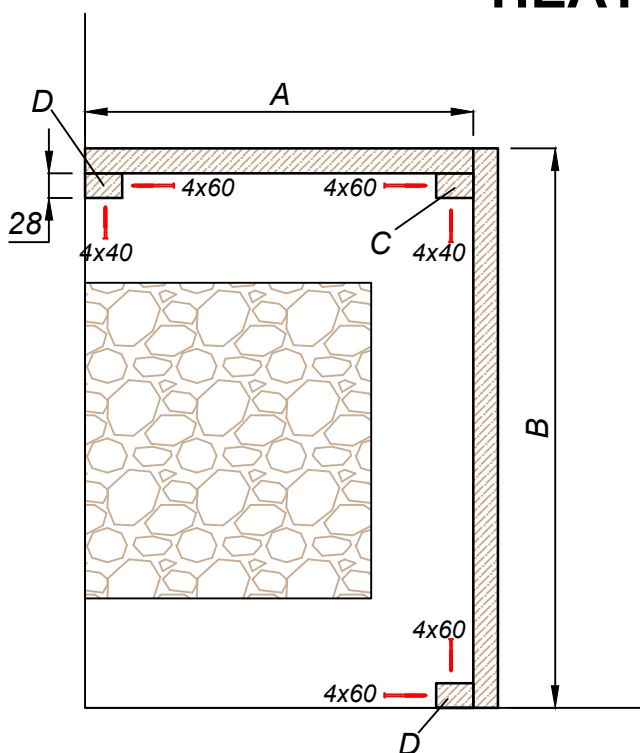
830



BENCH SET



HEATER GUARD



Heater guard DIY package includes:

Detail A: 28x88x640 - 2 pcs

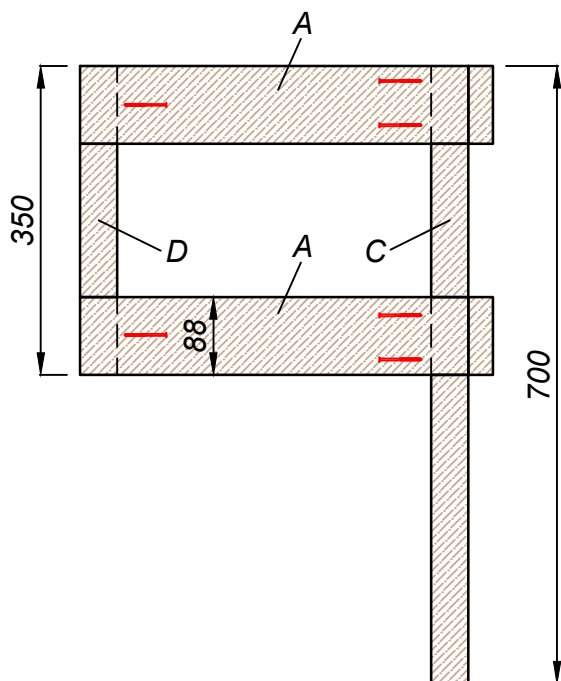
Detail B: 28x88x810 - 2 pcs

Detail C: 28x42x700 - 1 pcs

Detail D: 28x42x350 - 2 pcs

Screw 4x40 - 8 pcs

Screw 4x60 - 16 pcs



1. Cut the details "A" and "B" to correct measure
2. Fix the details to detail "C" and "D" with the screws
3. Fix the heater guard to the wall
4. **Be sure that safety distances are valid to the heater manual!**

| Heater model | A (mm) | B (mm) |
|-----------------|--------|--------|
| ISC 9 kW | 440 | 640 |
| Huum Drop 9 kW | 490 | 810 |
| Huum Hive 9 kW | 640 | 696 |
| Huum Steel 9 kW | 520 | 610 |